

PLEASE CHECK WWW.MOLEX.COM FOR LATEST PART INFORMATION

Part Number: [0885237214](#)
Status: **Active**
Overview: [fiber optic product families](#)
Description: MT-RJ(F)-to-FC, Singlemode, 9/125µm/G652, Duplex, 1.60mm (.063"), Standard Fiber Optic Cable Assembly, 15.0m (49.21')

Documents:

[Drawing \(PDF\)](#) [RoHS Certificate of Compliance \(PDF\)](#)

General

Product Family	Fiber Optic Assemblies
Series	88523
Connector to Connector	MT-RJ-to-FC
Mode	Singlemode
Overview	fiber optic product families
Product Name	FC, MT-RJ

Physical

Cable Length	15.0m (49.21')
Cable Size	1.60mm (.063")
Fiber (Core/Cladding)	9/125µm/G652
Single Ended	No
Wire/Cable Type	Duplex

Material Info

Reference - Drawing Numbers

Sales Drawing	SD-88523-075
---------------	--------------

EU RoHS

RoHS Compliant by Exemption

REACH SVHC

Not Reviewed

Halogen-Free

Status

Not Reviewed

China RoHS



Need more information on product environmental compliance?

Email productcompliance@molex.com
 For a multiple part number RoHS Certificate of Compliance, [click here](#)

Please visit the [Contact Us](#) section for any non-product compliance questions.

Search Parts in this Series

[88523Series](#)

E

D

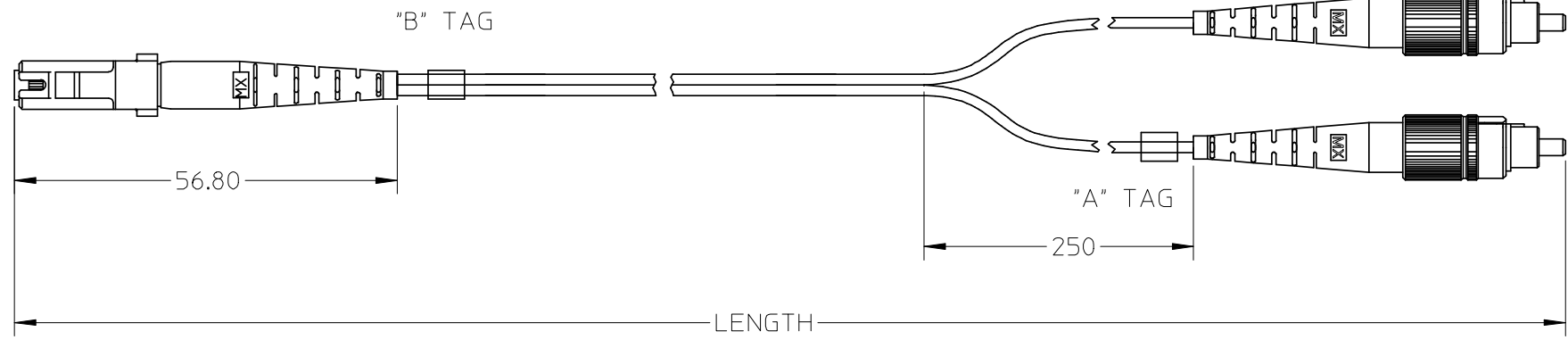
C

B

A

A

FC/PC 2.0/1.6MM CONN.



885237214	MTRJ(F)-FC DUP SM 1.6MM 15M	15000(+200/-0)
885237204	MTRJ(F)-FC DUP SM 1.6MM 3M	3000(+200/-0)
885237203	MTRJ(F)-FC DUP SM 1.6MM 2M	2000(+200/-0)
885237202	MTRJ(F)-FC DUP SM 1.6MM 10M	10000(+200/-0)
885237201	MTRJ(F)-FC DUP SM 1.6MM 5M	5000(+200/-0)
885237200	MTRJ(F)-FC DUP SM 1.6MM 1M	1000(+100/-0)
MX P/N	DESCRIPTION	LENGTH

NOTES:

1. DUST CAPS ARE NOT SHOWN
2. PER CHANNEL @ 1310nm
FC SIDE IL<=0.30dB, RL>50dB
MTRJ SIDE IL<=0.7dB, RL>45dB

ENTER DESCRIPTION EC NO: DG2008-0161 DRWN:XPCHEN CHKD: APPR: JOWANG	2008/07/15	DESCRIPTION REV
	2008/07/15	
	2008/07/18	

QUALITY SYMBOLS
▽=0
▽=0

GENERAL TOLERANCES (UNLESS SPECIFIED)	mm	INCH
	4 PLACES ± ---	± ---
DRAFT WHERE APPLICABLE MUST REMAIN WITHIN DIMENSIONS	3 PLACES ± ---	± ---
	2 PLACES ± ---	± ---
	1 PLACE ± ---	± ---
	ANGULAR ± ---°	

DIMENSION STYLE MM ONLY	
DRAWN BY XP	DATE 2008/06/21
CHECKED BY LISA	DATE 2008/06/21
APPROVED BY JOHNNY	DATE 2008/06/21
MATERIAL NO. SEE TABLE	
SIZE A 4	

SCALE ---	DESIGN UNITS METRIC	THIRD ANGLE PROJECTION
TITLE MTRJ(F)-FC DUP SM 1.6MM		
MOLEX INCORPORATED		
DOCUMENT NO. SD-88523-075	SHEET NO. 1 OF 1	
THIS DRAWING CONTAINS INFORMATION THAT IS PROPRIETARY TO MOLEX INCORPORATED AND SHOULD NOT BE USED WITHOUT WRITTEN PERMISSION		