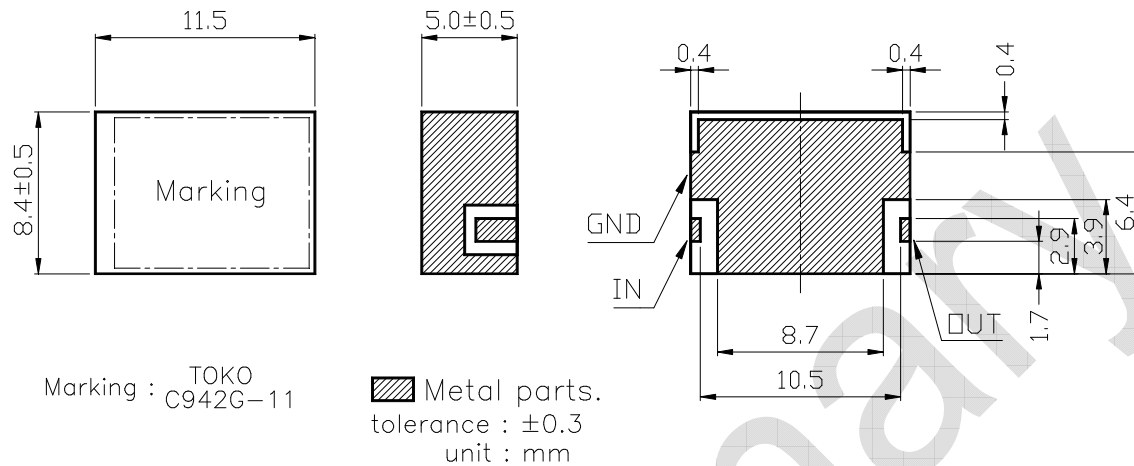


SPECIFICATION OF DIELECTRIC FILTER

(PRELIMINARY)

TOKO P/No: TDFH5C-942G-11A-02**1. OUTLINE DIMENSION****2. ELECTRICAL CHARACTERISTICS**

		Specification	
Center Frequency (Fo)	:	942.5	MHz
Pass Band Width	:	$F_o \pm 17.5$	MHz
Insertion Loss in Pass Band	:	4.0dB	max.
Ripple in Pass Band	:	2.5dB	max.
V.S.W.R. in Pass Band	:	2.0	max.
Attenuation (absolute value)	:		
880 - 915 MHz	:	20.0dB	min.
I/O Impedance	:	50	ohm

These filters were measured on a PC board in Toko standard jig.

Insertion loss of the jig : 0.1dB

The specification of insertion loss includes the subtraction of the jig loss from the measured value.

PRECAUTION

Do not connect terminals to DC voltage.

Notice

Note that the contents are subject to change or discontinuation without notice.

Please request for official specification for approval before using this products.