

THIS DRAWING IS UNPUBLISHED.

RELEASED FOR PUBLICATION

© COPYRIGHT - By -

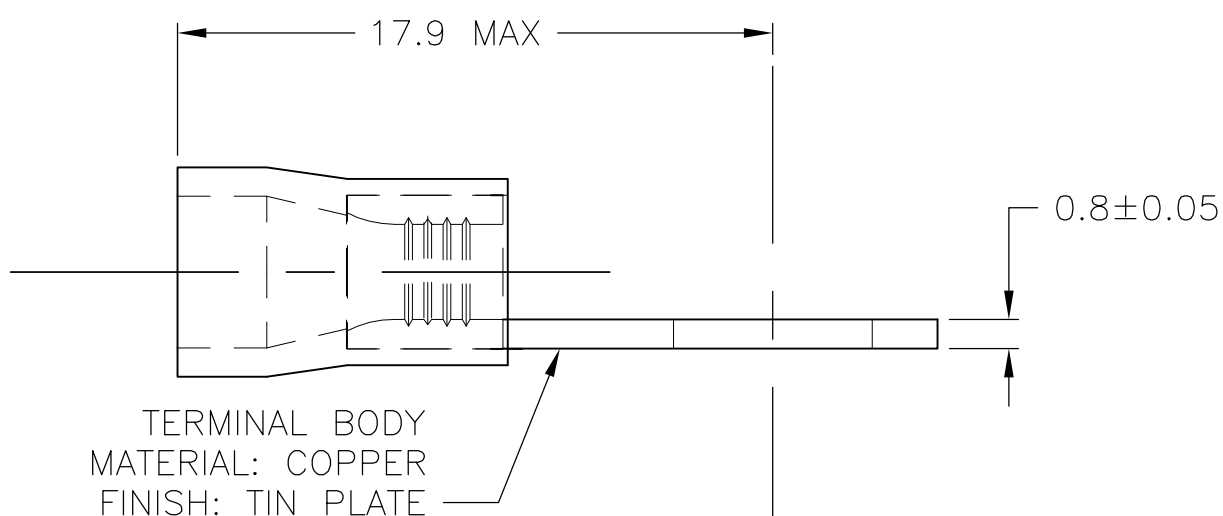
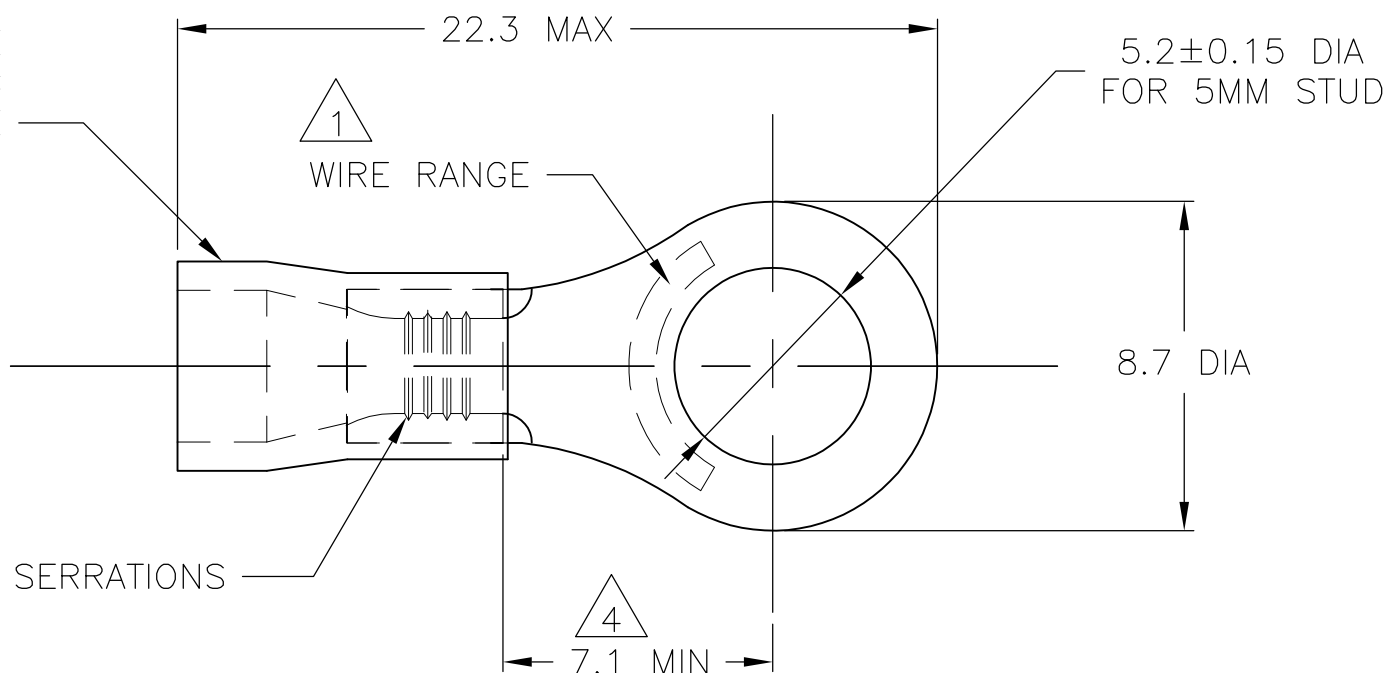
ALL RIGHTS RESERVED.

LOC G DIST 02

REVISIONS

P	LTR	DESCRIPTION	DATE	DWN	APVD
	E1	REVISED PER ECO-11-005027	11MAR11	RK	HMR

INSULATION SLEEVE MATERIAL: PVC COLOR: BLUE



TERMINAL BODY MATERIAL: COPPER FINISH: TIN PLATE

AMP WIRE RANGE	Listed FILE E13288
16-14 AWG SOLID OR STRANDED	16-14 AWG SOLID OR STRANDED

- 1 WIRE SIZE IS 16-14 AWG
- 2 WIRE INSULATION DIA: 3.0-4.9
- 3 MATERIAL THICKNESS IS 0.80±0.05
- 4 DIMENSION APPLIES FROM EDGE OF METAL WIRE BARREL TO CENTER OF STUD HOLE.
- 5 600 VOLT MAX
- 6 CIRCULAR MIL AREA, 2,050 - 5,180 (1.04mm²-2.62mm²)
- 7 SUPERSEDED BY 130102

PLASTIC BAG W/HEADER	STANDARD	100	7 8-130102-0
TAPED MOUNTED	STANDARD	5000	2-130102-1
PLASTIC BAG	STANDARD	1000	130102
PACKAGING	LABELLING	QTY	PART NO

THIS DRAWING IS A CONTROLLED DOCUMENT.

DIMENSIONS: mm	TOLERANCES UNLESS OTHERWISE SPECIFIED:
	0 PLC ± -
	1 PLC ± 0.5
	2 PLC ± -
	3 PLC ± -
	4 PLC ± -
	ANGLES ± 1°
MATERIAL	FINISH
-	-

DWN	jr ruth	06DEC05
CHK	T MICHIELUTTI	06DEC05
APVD	T MICHIELUTTI	06DEC05
PRODUCT SPEC	-	-
APPLICATION SPEC	-	-
WEIGHT	-	-
CUSTOMER DRAWING		

STE TE Connectivity			
NAME			
TERMINAL, RING TONGUE, PLASTI-GRIP,			
SIZE	CAGE CODE	DRAWING NO	RESTRICTED TO
A3	00779	C-130102	-
SCALE 5:1		SHEET 1 OF 1	REV E1