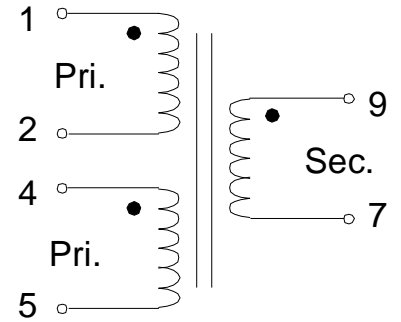


SDSL PULSE TRANSFORMER

Turns Ratio PRI : SEC (± 2%)		2CT : 1	
PARAMETER	MIN	MAX	UNITS
Inductance	1.93	2.36	mH
Leakage Inductance		11	μH
DCR (ANY WINDING)		0.60	Ω
Isolation	2500		V _{RMS}

SCHEMATIC DIAGRAM:



Test Conditions:

Inductance tested at 0.1V, and 10 kHz

(Pins 1-5 with 2-4 shorted)

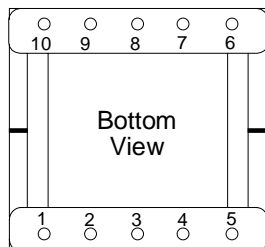
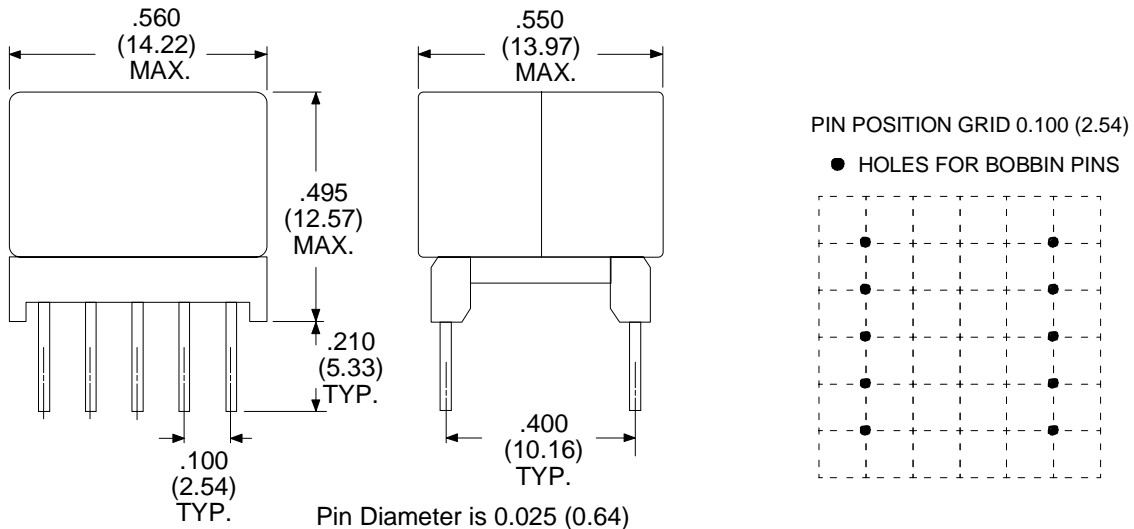
Leakage Inductance tested at 0.1V, and 100 kHz

(Pins 1-5 with 2-4 shorted & 6-7-9-10 shorted)

-Designed to meet UL1950 requirements for supplementary insulation (250V working voltage).

-Designed to accommodate Brooktree (Rockwell) BT8970 and RS8973, with no DC current.

PHYSICAL DIMENSIONS All dimensions in inches (mm):



RHOMBUS INDUSTRIES INC. **FSCM NO. 16714**

RHOMBUS P/N: T-1227

CUST P/N:

NAME:

DATE: 4/16/99

SHEET: 1 OF 1