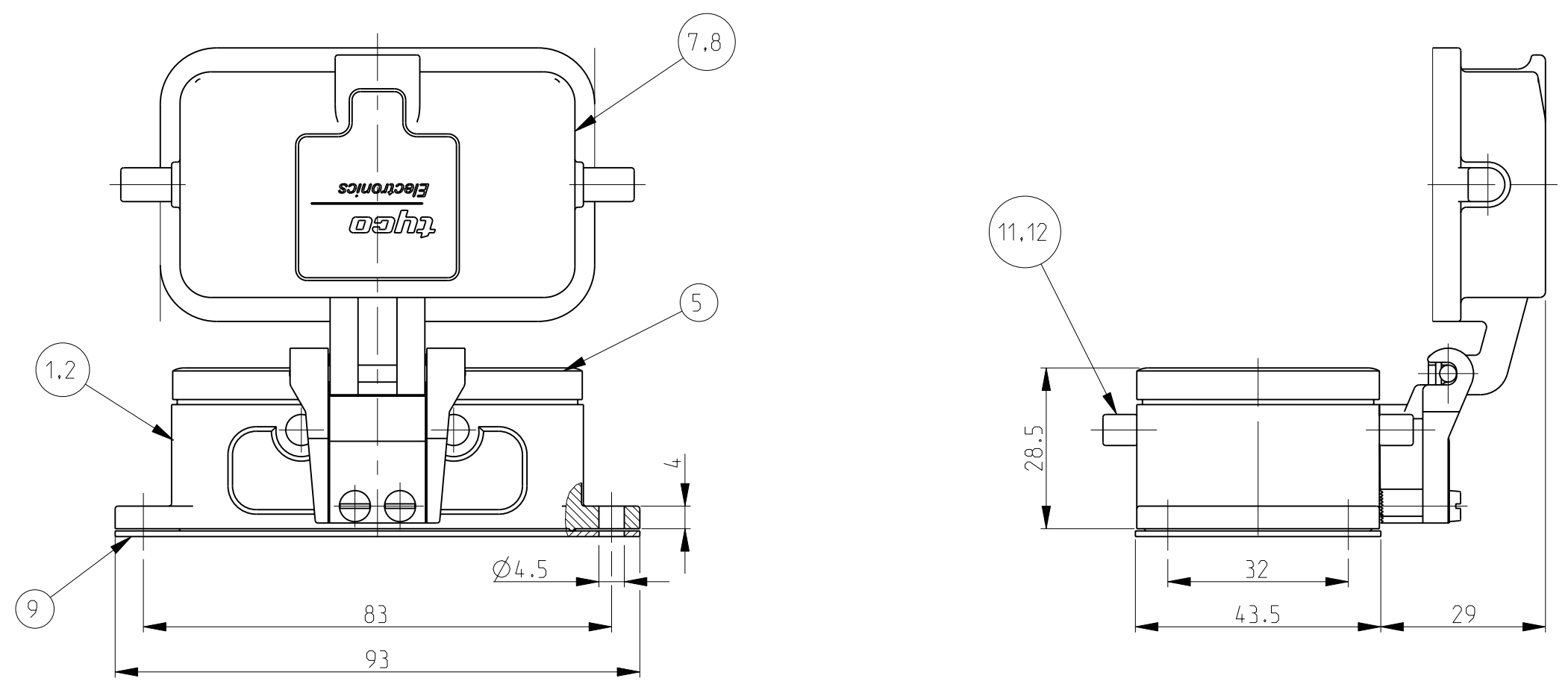
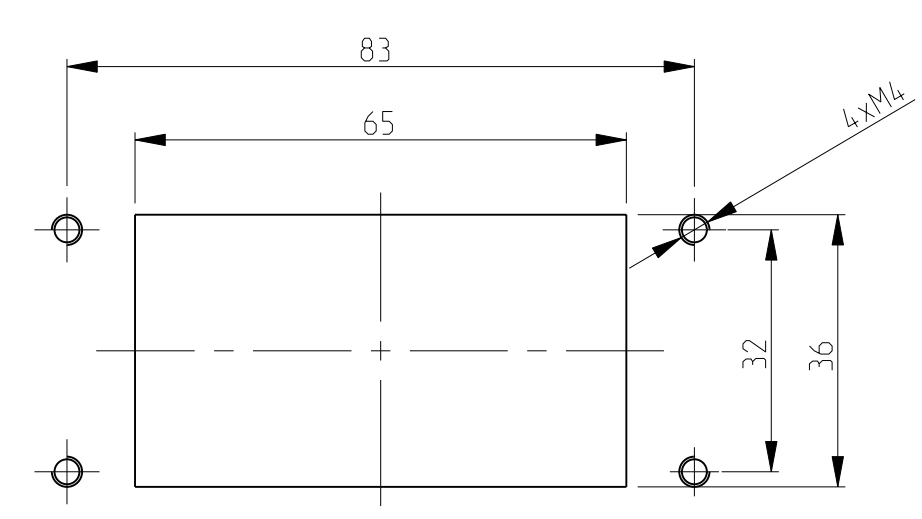


PN 1-6. 2-6 & 0-3

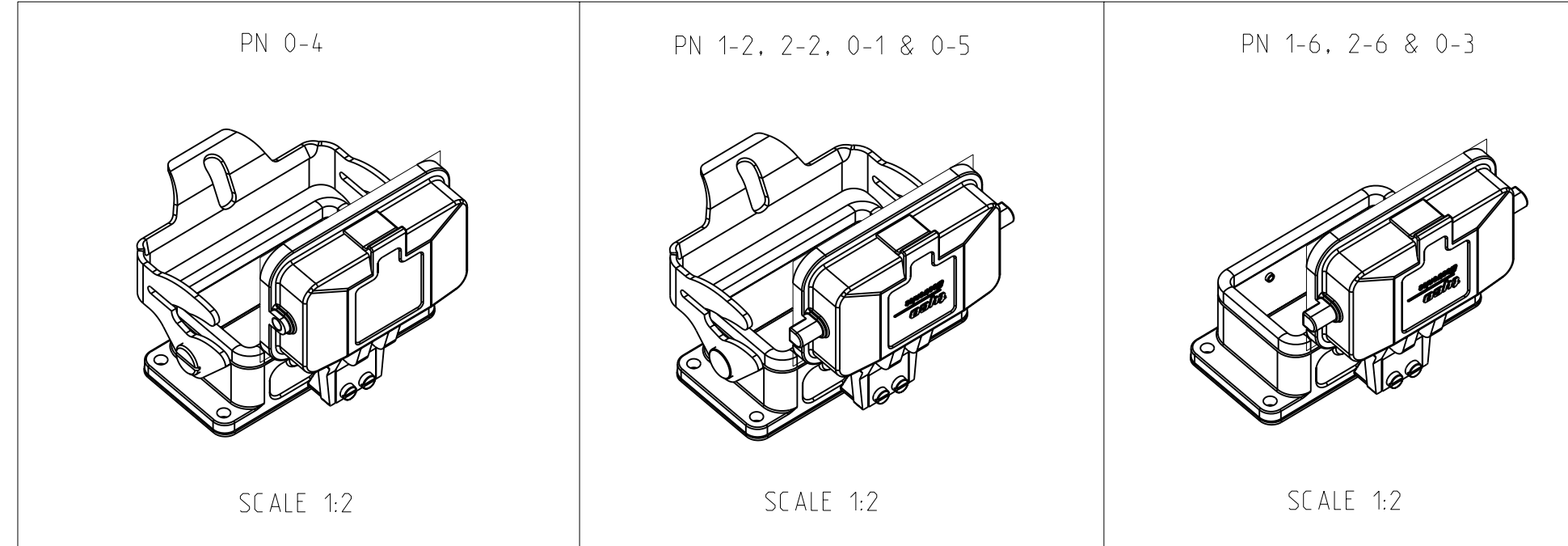
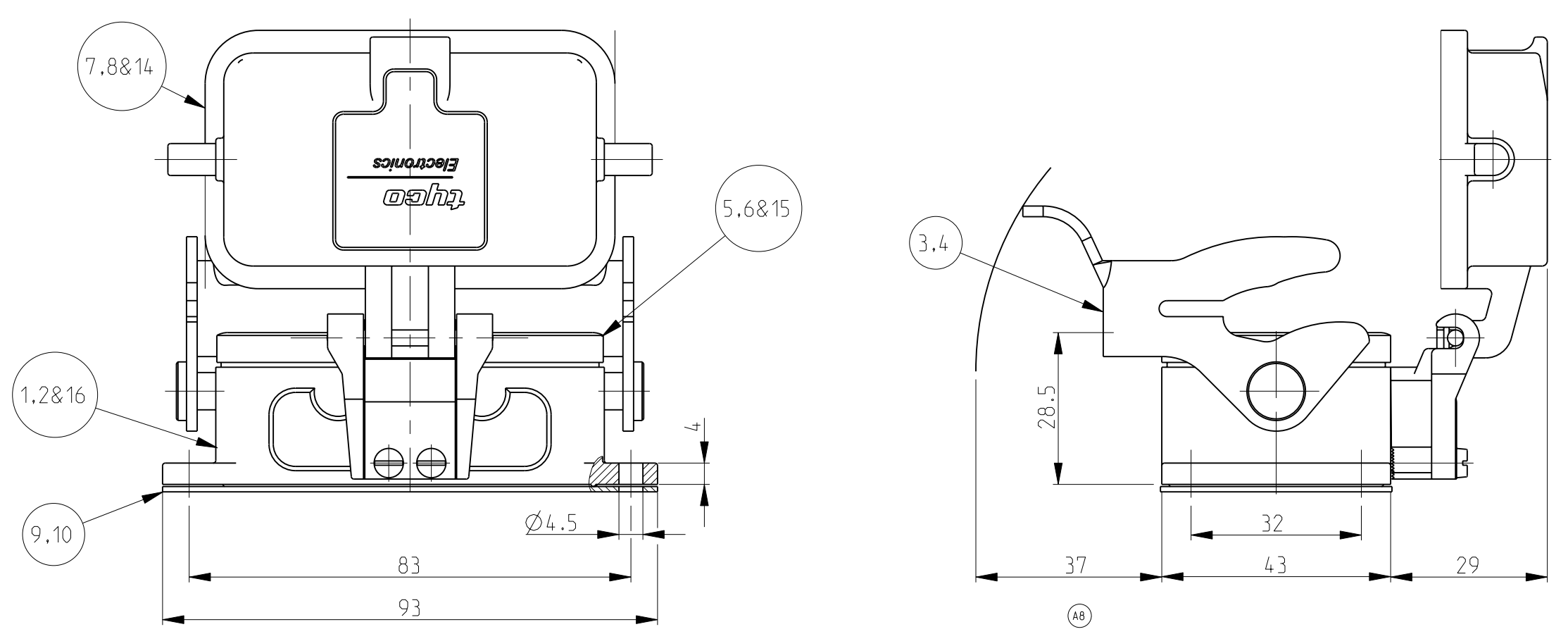


PANEL-CUT OUT

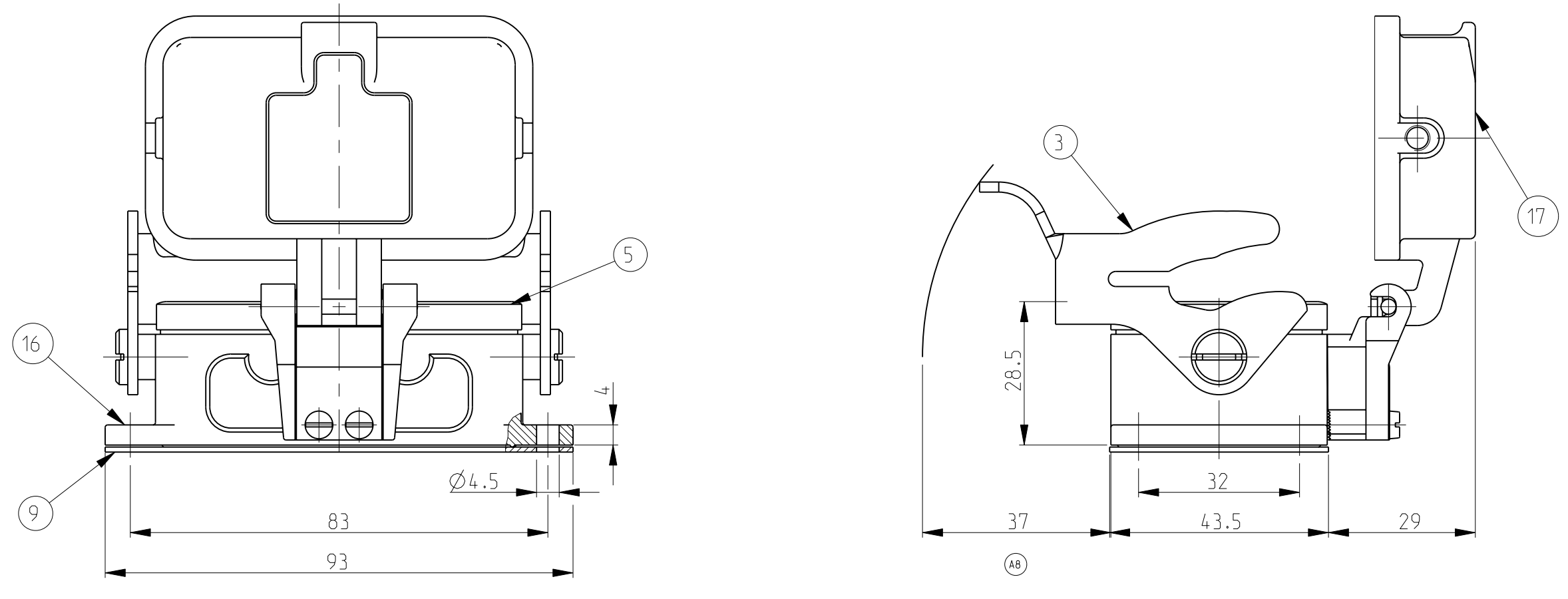


- NOTES
- Material : Housing : Aluminium diecasting alloy
  - Surface: Varnisch-Black  
 -Aluminium oxide-Varnisch black  
 -ChromitAl TCP-Passivation  
 -Grey
  - Varnisch on the inside not necessary
  - Packaging  
 Quantity 5 pieces in a box

PN 1-2. 2-2 .0-1 & 0-5



PN 0-4



QTY	DESCRIPTION	MATERIAL	SURFACE	COLOR	ITEM NO	NOTES						
1	Cover	Aluminium		Grey (4)	17							
1	Surface mounted housing bottom entry HB	Aluminium		Grey (4)	16							
1	Profile seal	Neoprene		Black	15	Conductive						
1	Cover	Aluminium	SEE NOTE (A)	Black	14							
1	Surface mounted housing bottom entry HB-EMV	Aluminium	SEE NOTE (A)	Black	13							
	Clip bolt	Stainless steel		Blank	12							
	Clip bolt	Steel	Zinc plated	Blue	11							
	Flange seal	Viton		Black	10							
1	Flange seal	Neoprene		Black	9							
	Cover	Aluminium	Aluminium oxide	Black	8							
	Cover	Aluminium		Grey	7							
	Profile seal	Viton		Grey	6							
1	Profile seal	Neoprene		Black	5							
	LB-Side clip	Stainless steel		Blank	4							
1	LB-Side clip	Steel	Zinc plated	Blue	3							
	Surface mounted housing bottom entry HB-K	Aluminium	Aluminium Oxide	Black	2							
	Surface mounted housing bottom entry HB	Aluminium		Grey	1							
0-5	0-4	0-1	2-6	1-6	2-2	1-2	DESCRIPTION	MATERIAL	SURFACE	COLOR	ITEM NO	NOTES

HB.10.AGD-LB	HB-EMV.10.AGD-LB	HB-K.10.AGD-LB.V	HB-K.10.AGD	HB.10.AGD	HB-K.10.AGD-LB	HB.10.AGD-LB	ORDERING TEXT
DIMENSIONS: mm TOLERANCES UNLESS OTHERWISE SPECIFIED: DIMENSIONS: mm 0: ±0.1 1: ±0.15 2: ±0.2 3: ±0.3 4: ±0.4 5: ±0.5 6: ±0.6 7: ±0.7 8: ±0.8 9: ±0.9 10: ±1.0 11: ±1.2 12: ±1.5 13: ±2.0 14: ±2.5 15: ±3.0 16: ±4.0 17: ±5.0 ANGLES: ±0.5° FINISH: #							
DWN: Schneider 18.05.2000 CHK: Schweiger 18.05.2000				Tyco Electronics AMP GmbH 0-53819-Neunkirchen, Germany			
DIMENSIONS: mm TOLERANCES UNLESS OTHERWISE SPECIFIED: DIMENSIONS: mm 0: ±0.1 1: ±0.15 2: ±0.2 3: ±0.3 4: ±0.4 5: ±0.5 6: ±0.6 7: ±0.7 8: ±0.8 9: ±0.9 10: ±1.0 11: ±1.2 12: ±1.5 13: ±2.0 14: ±2.5 15: ±3.0 16: ±4.0 17: ±5.0 ANGLES: ±0.5° FINISH: #				NAME: Surface mounted housing bottom entry HB.10.AGD PRODUCT SPEC: APPLICATION SPEC: WEIGHT: CUSTOMER DRAW ING:			
SCALE: 1:1 SHEET: 1 OF 1 REV: A8				SIZE: A1 CAGE CODE: 00779 DRAWING NO: C=1102283			