

PLEASE CHECK WWW.MOLEX.COM FOR LATEST PART INFORMATION

Part Number: [0878981066](#)
Status: **Active**
Overview: [kk](#)
Description: 2.54mm (.100") Pitch KK® Header, Surface Mount, Breakaway, Vertical, 10 Circuits, 2.54µm (100µ") Tin (Sn) Plating, Tube Packaging, without Cap, Lead-free

Documents:

[Drawing \(PDF\)](#) [RoHS Certificate of Compliance \(PDF\)](#)
[Product Specification PS-87920-019 \(PDF\)](#)

General

Product Family	PCB Headers
Series	87898
Application	Board-to-Board, Wire-to-Board
Overview	kk
Product Name	KK®

Physical

Breakaway	Yes
Circuits (Loaded)	10
Circuits (maximum)	10
Color - Resin	Black
First Mate / Last Break	No
Glow-Wire Compliant	No
Guide to Mating Part	No
Keying to Mating Part	None
Lock to Mating Part	None
Material - Metal	Copper Alloy
Material - Plating Mating	Tin
Material - Plating Termination	Tin
Material - Resin	Nylon
Number of Rows	1
Orientation	Vertical
PCB Locator	No
PCB Retention	None
Packaging Type	Tube
Pitch - Mating Interface (in)	0.100 In
Pitch - Mating Interface (mm)	2.54 mm
Pitch - Term. Interface (in)	0.100 In
Pitch - Term. Interface (mm)	2.54 mm
Polarized to Mating Part	No
Polarized to PCB	No
Robotic Placement	None
Shrouded	No
Stackable	No
Temperature Range - Operating	-55°C to +105°C
Termination Interface: Style	Surface Mount

Electrical

Current - Maximum per Contact	3A
Voltage - Maximum	250V

Material Info

Reference - Drawing Numbers

Packaging Specification	PK-89990-545
Product Specification	PS-87920-019

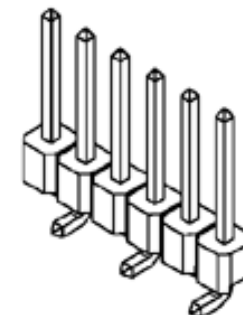


image - Reference only

Series

EU RoHS

**ELV and RoHS
Compliant**
**REACH SVHC
Not Reviewed**
**Halogen-Free
Status**

China RoHS



**Need more information on product
environmental compliance?**

Email productcompliance@molex.com
For a multiple part number RoHS Certificate of Compliance, [click here](#)

Please visit the [Contact Us](#) section for any non-product compliance questions.

Search Parts in this Series

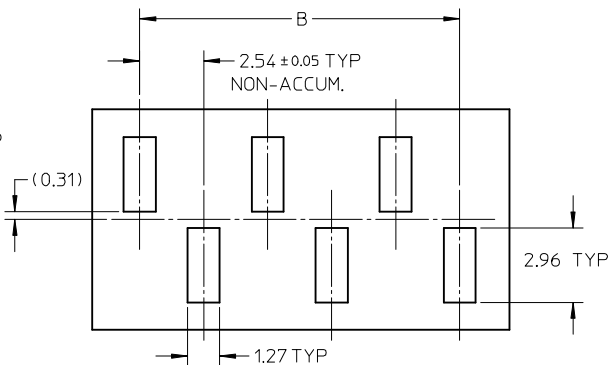
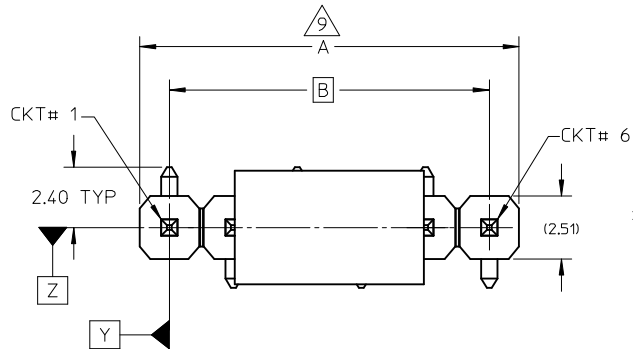
[87898Series](#)

Mates With

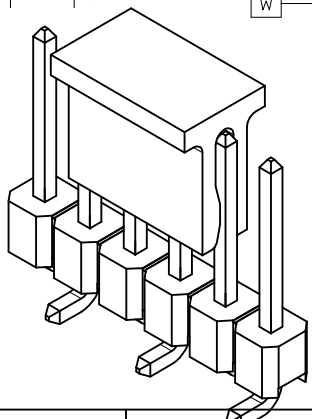
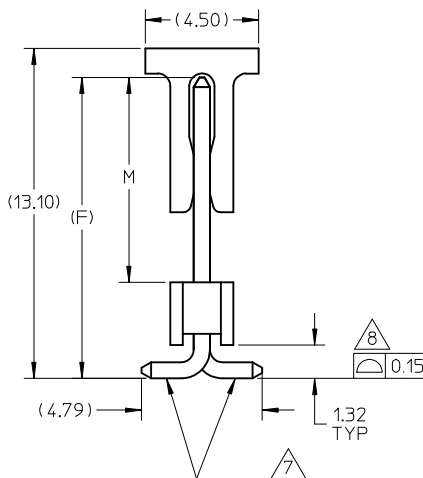
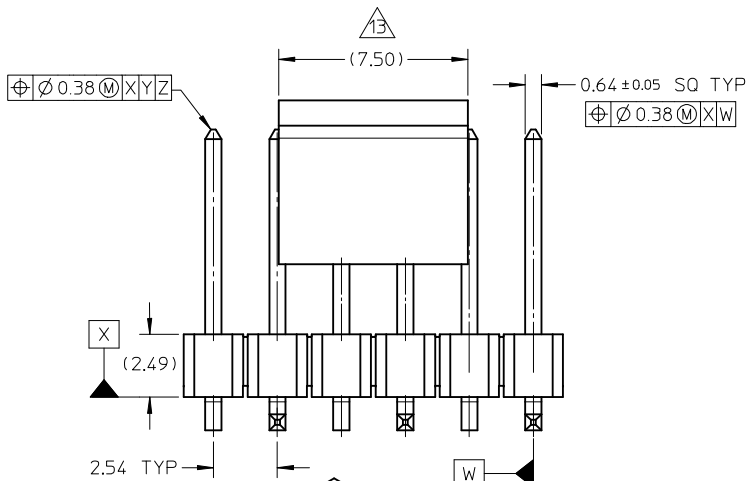
KK® PCB Receptacles [4455](#). SL™ IDT Housings [70430](#) , [7720](#), [70400](#). C-Grid® PCB Receptacles [90147](#), [90148](#)

This document was generated on 05/25/2010

PLEASE CHECK WWW.MOLEX.COM FOR LATEST PART INFORMATION



RECOMMENDED PCB LAYOUT

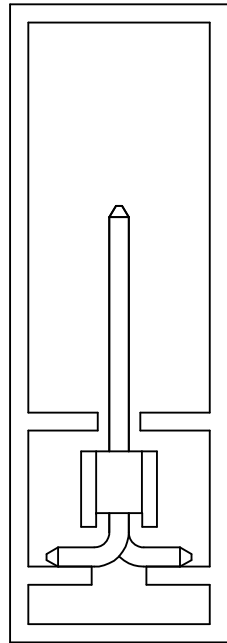


NOTES:

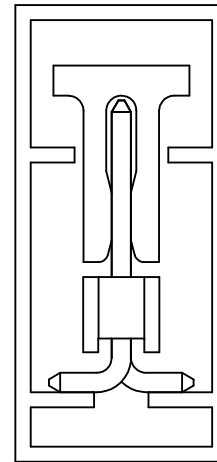
1. MATERIAL:
HSG: NYLON, GLASS-FILLED, UL94V-0, COLOR: BLACK
PIN: 0.64MM SQ, COPPER ALLOY
2. PLATING TYPE:
(1) GOLD FLASH OVER
1.25µm MIN. NICKEL OVERALL.
(2) GOLD FLASH ON CONTACT AND
2.50µm MIN. TIN ON SOLDER TAIL OVER
1.25µm MIN. NICKEL OVERALL.
(4) 0.38µm MIN. GOLD PLATE ON CONTACT AND
2.00µm MIN. TIN ON SOLDER TAIL OVER
1.25µm MIN. NICKEL OVERALL.
(5) 0.75µm MIN. GOLD PLATE ON CONTACT AND
2.00µm MIN. TIN ON SOLDER TAIL OVER
1.25µm MIN. NICKEL OVERALL.
(6) 2.50µm MIN. TIN OVERALL
1.25µm MIN. NICKEL OVERALL
3. PRODUCT SPECIFICATION: PS-87920-019
4. PACKAGING TYPE: SEE TABLE
5. PACKAGING SPEC: PK-89990-545
6. WAFER TO BE FLAT WITHIN 0.003 mm/mm
7. BEND DEPRESSION IS ACCEPTED SO LONG AS IT DOES NOT AFFECT THE OVERALL COPLANARITY OF TAIL
8. COPLANARITY IS TO BE MEASURED BY RESTING THE SOLDER TAIL ON A FLAT SURFACE
9. IRREGULAR CIRCUIT CUTOFF WITHIN BREAKAWAY SECTION IS PERMISSIBLE. CUTTING OR CHIPPING OF THE MAIN BODY IS NOT ACCEPTABLE
10. TUBE LENGTH AS PER STANDARD 560mm
11. RECOMMENDED PCB THICKNESS IS 1.60mm ± 0.10
12. THE ABOVE CKT 6 IS FOR ILLUSTRATION PURPOSE ONLY
13. CAP LOCATION IS CENTERED ALONG THE MATING ENDS AS SHOWN. TOP SURFACE OF CAP TO BE FLAT FOR THE PURPOSE OF PICK & PLACE BY VACUUM SUCTION NOZZLE.

REVISE T&R QTY EC NO: S2009-0327 DRWN:SKANG 2008/11/26 CHKD:ATSEE 2008/11/27 APPR:MLONG 2008/11/28	QUALITY SYMBOLS	GENERAL TOLERANCES (UNLESS SPECIFIED)		DIMENSION STYLE	SCALE	DESIGN UNITS	THIRD ANGLE PROJECTION
	▽=0 ∠=0	mm	INCH	MM ONLY	NTS	METRIC	
		4 PLACES ± --- ± ---	3 PLACES ± --- ± ---	DRAWN BY SKLIM01	DATE 2005/10/26	TITLE	
		2 PLACES ± 0.2 ± ---	1 PLACE ± --- ± ---	CHECKED BY NAGESHKN	DATE 2005/10/30	CUSTOM HEADER 2.54MM PITCH SINGLE ROW SINGLE WAFER SMT HEADER	
	ANGULAR ± 3 °	DRAFT WHERE APPLICABLE MUST REMAIN WITHIN DIMENSIONS		APPROVED BY PTLIM	DATE 2005/11/07	MOLEX INCORPORATED	
				MATERIAL NO.	SEE TABLE	DOCUMENT NO.	SHEET NO.
				SIZE A3	THIS DRAWING CONTAINS INFORMATION THAT IS PROPRIETARY TO MOLEX INCORPORATED AND SHOULD NOT BE USED WITHOUT WRITTEN PERMISSION		SD-87898-003 1 OF 17

**PART WITHOUT CAP
IN TUBE
ORIENTATION**



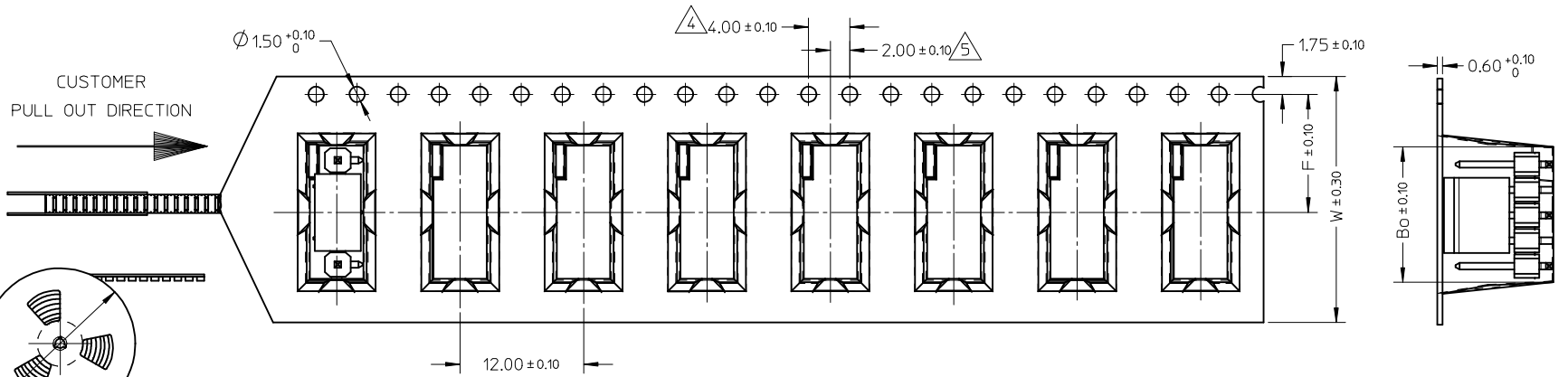
**PART WITH CAP
IN TUBE
ORIENTATION**



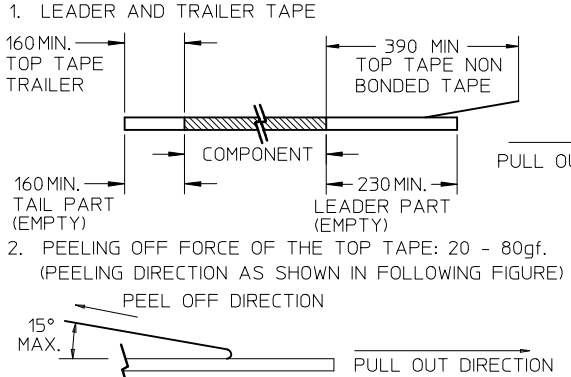
REVISE T&R QTY EC NO: S2009-0327 DRWN:SKANG CHKD:ATSEE APPR:MLONG	2008/11/26 2008/11/27 2008/11/28	DESCRIPTION REV	QUALITY SYMBOLS	GENERAL TOLERANCES (UNLESS SPECIFIED)		DIMENSION STYLE MM ONLY		SCALE NTS	DESIGN UNITS METRIC	THIRD ANGLE PROJECTION		
			▼=0 □=0	mm INCH 4 PLACES ± --- ± --- 3 PLACES ± --- ± --- 2 PLACES ± 0.2 ± --- 1 PLACE ± --- ± --- ANGULAR ± 3 °	DRAWN BY SKLIM01 CHECKED BY NAGESHKN APPROVED BY PTLIM	DATE 2005/10/26 DATE 2005/10/30 DATE 2005/11/07	TITLE CUSTOM HEADER 2.54MM PITCH SINGLE ROW SINGLE WAFER SMT HEADER					
			DRAFT WHERE APPLICABLE MUST REMAIN WITHIN DIMENSIONS		SEE TABLE		MATERIAL NO. SD-87898-003		DOCUMENT NO.		SHEET NO. 2 OF 17	
			SIZE A3		THIS DRAWING CONTAINS INFORMATION THAT IS PROPRIETARY TO MOLEX INCORPORATED AND SHOULD NOT BE USED WITHOUT WRITTEN PERMISSION							

10 9 8 7 6 5 4 3 2 1

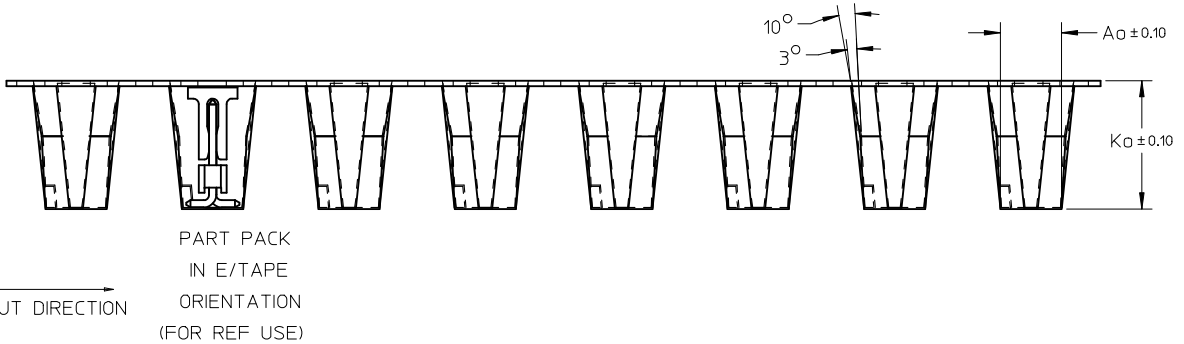
CKT	DIMENSION				
	Bo	Ao	Ko	F	W
3	8.02	5.20	13.60	11.50	24.00
5	13.10	5.20	13.60	11.50	24.00



NOTES:




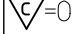
- LEADER AND TRAILER TAPE
- PEELING OFF FORCE OF THE TOP TAPE: 20 - 80gf. (PEELING DIRECTION AS SHOWN IN FOLLOWING FIGURE)
- MATERIAL: BLACK P.S CONDUCTIVE, BLACK
- MEASURED FROM CENTRELINE OF SPROCKET HOLE TO CENTRELINE OF SPOCKET
- CUMULATIVE TOLERANCE OF 10 SPROCKET HOLE IS ±0.20mm
- A0 AND B0 ARE MEASURE FROM ABOVE POCKET BASE 0.30mm
- TAPE AND REEL SPECIFICATION IS AS PER EIA-481.
- TAPE AND REEL QUANTITY : 320PCS/REEL
- THE TAPE IS TREATED FOR ANTI-STATIC.
- ALL RADIUS ARE 0.30MM UNLESS SPECIFY
- SURFACE RESISTIVITY 10³ TO 10 OHMS.



REVISE T&R QTY EC NO: S2009-0327 DRWN:SKANG CHKD:ATSEE APPR:MLONG 2008/11/26 2008/11/27 2008/11/28	QUALITY SYMBOLS	GENERAL TOLERANCES (UNLESS SPECIFIED)	DIMENSION STYLE	SCALE	DESIGN UNITS	THIRD ANGLE PROJECTION
	▼=0 ◻=0	mm INCH 4 PLACES ± --- ± --- 3 PLACES ± --- ± --- 2 PLACES ± 0.2 ± --- 1 PLACE ± --- ± --- ANGULAR ± 3 °	MM ONLY	NTS	METRIC	
	DESCRIPTION	DRAFT WHERE APPLICABLE MUST REMAIN WITHIN DIMENSIONS	DRAWN BY: SKLIM01 CHECKED BY: NAGESHKN APPROVED BY: PTLIM DATE: 2005/10/26 DATE: 2005/10/30 DATE: 2005/11/07	TITLE	CUSTOM HEADER 2.54MM PITCH SINGLE ROW SINGLE WAFER SMT HEADER	
	B2	SIZE: A3	MATERIAL NO. SEE TABLE THIS DRAWING CONTAINS INFORMATION THAT IS PROPRIETARY TO MOLEX INCORPORATED AND SHOULD NOT BE USED WITHOUT WRITTEN PERMISSION	MOLEX MOLEX INCORPORATED	DOCUMENT NO. SD-87898-003	SHEET NO. 3 OF 17

9 8 7 6 5 4 3 2 1

PACKAGING OPTION PART NO.						CKT SIZE	VOID POSITION	PLATING TYPE	DIMENSION			
TRAY WITHOUT CAP	TRAY WITH CAP	TUBE WITHOUT CAP	TUBE WITH CAP	TAPE & REEL WITHOUT CAP	TAPE & REEL WITH CAP				A	B	F	M
87898-0361	-----	-----	-----	-----	-----	3	----	1	7.62	5.08	11.94	8.13
87898-0362	-----	-----	-----	-----	-----	3	----	2	7.62	5.08	11.94	8.13
87898-0364	-----	-----	-----	-----	-----	3	----	4	7.62	5.08	11.94	8.13
87898-0365	-----	-----	-----	-----	-----	3	----	5	7.62	5.08	11.94	8.13
87898-0366	-----	-----	87898-0367	-----	87898-0368	3	----	6	7.62	5.08	11.94	8.13

REVISE T&R QTY EC NO: S2009-0327 DRWN:SKANG CHKD:ATSEE APPR:MLONG	2008/11/26 2008/11/27 2008/11/28	DESCRIPTION REV	QUALITY SYMBOLS	GENERAL TOLERANCES (UNLESS SPECIFIED)	DIMENSION STYLE	SCALE	DESIGN UNITS	THIRD ANGLE PROJECTION			
			 = 0  = 0.2	mm INCH	MM ONLY	NTS	METRIC	DRAWN BY DATE		TITLE	
			4 PLACES	± --- ± ---	SKLIM01	2005/10/26	CUSTOM HEADER				
			3 PLACES	± --- ± ---	CHECKED BY	DATE	2.54MM PITCH SINGLE ROW				
			2 PLACES	± 0.2 ± ---	NAGESHKN	2005/10/30	SINGLE WAFER SMT HEADER				
1 PLACE	± --- ± ---	APPROVED BY	DATE	MOLEX INCORPORATED							
ANGULAR ± 3 °		PTLIM	2005/11/07	MATERIAL NO.		DOCUMENT NO.		SHEET NO.			
DRAFT WHERE APPLICABLE MUST REMAIN WITHIN DIMENSIONS		SEE TABLE		SD-87898-003		4 OF 17					
		SIZE A3		THIS DRAWING CONTAINS INFORMATION THAT IS PROPRIETARY TO MOLEX INCORPORATED AND SHOULD NOT BE USED WITHOUT WRITTEN PERMISSION							

PACKAGING OPTION PART NO.

F	PACKAGING OPTION PART NO.						CKT SIZE	VOID POSITION	PLATING TYPE	DIMENSION			
	TRY WITHOUT CAP	TRY WITH CAP	TUBE WITHOUT CAP	TUBE WITH CAP	TAPE & REEL WITHOUT CAP	TAPE & REEL WITH CAP				A	B	F	M
	-----	-----	87898-0461	-----	-----	-----	4	----	1	10.16	7.62	11.94	8.13
	-----	-----	87898-0462	-----	-----	-----	4	----	2	10.16	7.62	11.94	8.13
	-----	-----	87898-0464	-----	-----	-----	4	----	4	10.16	7.62	11.94	8.13
	-----	-----	87898-0465	-----	-----	-----	4	----	5	10.16	7.62	11.94	8.13
	-----	-----	87898-0466	-----	-----	-----	4	----	6	10.16	7.62	11.94	8.13
E													
	-----	-----	87898-0561	-----	-----	-----	5	----	1	12.70	10.16	11.94	8.13
	-----	-----	87898-0562	-----	-----	-----	5	----	2	12.70	10.16	11.94	8.13
	-----	-----	87898-0564	-----	-----	-----	5	----	4	12.70	10.16	11.94	8.13
	-----	-----	87898-0565	-----	-----	-----	5	----	5	12.70	10.16	11.94	8.13
D	-----	-----	87898-0566	87898-0567	-----	87898-0568	5	----	6	12.70	10.16	11.94	8.13
	-----	-----	87898-0661	-----	-----	-----	6	----	1	15.24	12.70	11.94	8.13
	-----	-----	87898-0662	-----	-----	-----	6	----	2	15.24	12.70	11.94	8.13
	-----	-----	87898-0664	-----	-----	-----	6	----	4	15.24	12.70	11.94	8.13
C	-----	-----	87898-0665	-----	-----	-----	6	----	5	15.24	12.70	11.94	8.13
	-----	-----	87898-0666	-----	-----	-----	6	----	6	15.24	12.70	11.94	8.13

REVISE T&R QTY EC NO: S2009-0327 DRWN:SKANG 2008/11/26 CHKD:ATSEE 2008/11/27 APPR:MLONG 2008/11/28	DESCRIPTION REV	QUALITY SYMBOLS ▽=0 ◻=0	GENERAL TOLERANCES (UNLESS SPECIFIED) mm INCH 4 PLACES ± --- ± --- 3 PLACES ± --- ± --- 2 PLACES ± 0.2 ± --- 1 PLACE ± --- ± --- ANGULAR ± 3 °	DIMENSION STYLE MM ONLY DRAWN BY SKLIM01 DATE 2005/10/26 CHECKED BY NAGESHKN DATE 2005/10/30 APPROVED BY PTLIM DATE 2005/11/07	SCALE NTS DESIGN UNITS METRIC THIRD ANGLE PROJECTION	TITLE CUSTOM HEADER 2.54MM PITCH SINGLE ROW SINGLE WAFER SMT HEADER
		DRAFT WHERE APPLICABLE MUST REMAIN WITHIN DIMENSIONS	MATERIAL NO. SEE TABLE SIZE A3	MOLEX INCORPORATED DOCUMENT NO. SD-87898-003	SHEET NO. 5 OF 17	
		THIS DRAWING CONTAINS INFORMATION THAT IS PROPRIETARY TO MOLEX INCORPORATED AND SHOULD NOT BE USED WITHOUT WRITTEN PERMISSION				

PACKAGING OPTION PART NO.						CKT SIZE	VOID POSITION	PLATING TYPE	DIMENSION			
TRY WITHOUT CAP	TRY WITH CAP	TUBE WITHOUT CAP	TUBE WITH CAP	TAPE & REEL WITHOUT CAP	TAPE & REEL WITH CAP				A	B	F	M
-----	-----	87898-07261	-----	-----	-----	7	----	1	17.78	15.24	11.94	8.13
-----	-----	87898-0762	-----	-----	-----	7	----	2	17.78	15.24	11.94	8.13
-----	-----	87898-0764	-----	-----	-----	7	----	4	17.78	15.24	11.94	8.13
-----	-----	87898-0765	-----	-----	-----	7	----	5	17.78	15.24	11.94	8.13
-----	-----	87898-0766	-----	-----	-----	7	----	6	17.78	15.24	11.94	8.13
-----	-----	87898-0861	-----	-----	-----	8	----	1	20.32	17.78	11.94	8.13
-----	-----	87898-0862	-----	-----	-----	8	----	2	20.32	17.78	11.94	8.13
-----	-----	87898-0864	-----	-----	-----	8	----	4	20.32	17.78	11.94	8.13
-----	-----	87898-0865	-----	-----	-----	8	----	5	20.32	17.78	11.94	8.13
-----	-----	87898-0866	-----	-----	-----	8	----	6	20.32	17.78	11.94	8.13
-----	-----	87898-0961	-----	-----	-----	9	----	1	22.86	20.32	11.94	8.13
-----	-----	87898-0962	-----	-----	-----	9	----	2	22.86	20.32	11.94	8.13
-----	-----	87898-0964	-----	-----	-----	9	----	4	22.86	20.32	11.94	8.13
-----	-----	87898-0965	-----	-----	-----	9	----	5	22.86	20.32	11.94	8.13
-----	-----	87898-0966	-----	-----	-----	9	----	6	22.86	20.32	11.94	8.13

REVISE T&R QTY EC NO: S2009-0327 DRWN:SKANG 2008/11/26 CHKD:ATSEE 2008/11/27 APPR:MLONG 2008/11/28	DESCRIPTION REV	QUALITY SYMBOLS =0 =0	GENERAL TOLERANCES (UNLESS SPECIFIED) <table border="1"> <tr> <td></td> <td>mm</td> <td>INCH</td> </tr> <tr> <td>4 PLACES</td> <td>± ---</td> <td>± ---</td> </tr> <tr> <td>3 PLACES</td> <td>± ---</td> <td>± ---</td> </tr> <tr> <td>2 PLACES</td> <td>± 0.2</td> <td>± ---</td> </tr> <tr> <td>1 PLACE</td> <td>± ---</td> <td>± ---</td> </tr> </table>		mm	INCH	4 PLACES	± ---	± ---	3 PLACES	± ---	± ---	2 PLACES	± 0.2	± ---	1 PLACE	± ---	± ---	DIMENSION STYLE MM ONLY	SCALE NTS	DESIGN UNITS METRIC	THIRD ANGLE PROJECTION
			mm	INCH																		
		4 PLACES	± ---	± ---																		
		3 PLACES	± ---	± ---																		
2 PLACES	± 0.2	± ---																				
1 PLACE	± ---	± ---																				
DRAWN BY SKLIM01 DATE 2005/10/26 CHECKED BY NAGESHKN DATE 2005/10/30 APPROVED BY PTLIM DATE 2005/11/07		TITLE CUSTOM HEADER 2.54MM PITCH SINGLE ROW SINGLE WAFER SMT HEADER																				
MATERIAL NO. SEE TABLE		DOCUMENT NO. SD-87898-003																				
DRAFT WHERE APPLICABLE MUST REMAIN WITHIN DIMENSIONS		SHEET NO. 6 OF 17																				

PACKAGING OPTION PART NO.						CKT SIZE	VOID POSITION	PLATING TYPE	DIMENSION			
TRY WITHOUT CAP	TRY WITH CAP	TUBE WITHOUT CAP	TUBE WITH CAP	TAPE & REEL WITHOUT CAP	TAPE & REEL WITH CAP				A	B	F	M
-----	-----	87898-1061	-----	-----	-----	10	----	1	25.40	22.86	11.94	8.13
-----	-----	87898-1062	-----	-----	-----	10	----	2	25.40	22.86	11.94	8.13
-----	-----	87898-1064	-----	-----	-----	10	----	4	25.40	22.86	11.94	8.13
-----	-----	87898-1065	-----	-----	-----	10	----	5	25.40	22.86	11.94	8.13
-----	-----	87898-1066	-----	-----	-----	10	----	6	25.40	22.86	11.94	8.13
-----	-----	87898-1161	-----	-----	-----	11	----	1	27.94	25.40	11.94	8.13
-----	-----	87898-1162	-----	-----	-----	11	----	2	27.94	25.40	11.94	8.13
-----	-----	87898-1164	-----	-----	-----	11	----	4	27.94	25.40	11.94	8.13
-----	-----	87898-1165	-----	-----	-----	11	----	5	27.94	25.40	11.94	8.13
-----	-----	87898-1166	-----	-----	-----	11	----	6	27.94	25.40	11.94	8.13
-----	-----	87898-1261	-----	-----	-----	12	----	1	30.48	27.94	11.94	8.13
-----	-----	87898-1262	-----	-----	-----	12	----	2	30.48	27.94	11.94	8.13
-----	-----	87898-1264	-----	-----	-----	12	----	4	30.48	27.94	11.94	8.13
-----	-----	87898-1265	-----	-----	-----	12	----	5	30.48	27.94	11.94	8.13
-----	-----	87898-1266	-----	-----	-----	12	----	6	30.48	27.94	11.94	8.13

REVISE T&R QTY EC NO: S2009-0327 DRWN:SKANG 2008/11/26 CHKD:ATSEE 2008/11/27 APPR:MLONG 2008/11/28	QUALITY SYMBOLS =0 =0	GENERAL TOLERANCES (UNLESS SPECIFIED) <table border="1"> <tr><th></th><th>mm</th><th>INCH</th></tr> <tr><td>4 PLACES</td><td>± ---</td><td>± ---</td></tr> <tr><td>3 PLACES</td><td>± ---</td><td>± ---</td></tr> <tr><td>2 PLACES</td><td>± 0.2</td><td>± ---</td></tr> <tr><td>1 PLACE</td><td>± ---</td><td>± ---</td></tr> </table>		mm	INCH	4 PLACES	± ---	± ---	3 PLACES	± ---	± ---	2 PLACES	± 0.2	± ---	1 PLACE	± ---	± ---	DIMENSION STYLE MM ONLY	SCALE NTS	DESIGN UNITS METRIC	THIRD ANGLE PROJECTION
		mm	INCH																		
	4 PLACES	± ---	± ---																		
	3 PLACES	± ---	± ---																		
2 PLACES	± 0.2	± ---																			
1 PLACE	± ---	± ---																			
DESCRIPTION DRAFT WHERE APPLICABLE MUST REMAIN WITHIN DIMENSIONS	<table border="1"> <tr><th>DRAWN BY</th><th>DATE</th></tr> <tr><td>SKLIM01</td><td>2005/10/26</td></tr> <tr><th>CHECKED BY</th><th>DATE</th></tr> <tr><td>NAGESHKN</td><td>2005/10/30</td></tr> <tr><th>APPROVED BY</th><th>DATE</th></tr> <tr><td>PTLIM</td><td>2005/11/07</td></tr> </table>	DRAWN BY	DATE	SKLIM01	2005/10/26	CHECKED BY	DATE	NAGESHKN	2005/10/30	APPROVED BY	DATE	PTLIM	2005/11/07	TITLE CUSTOM HEADER 2.54MM PITCH SINGLE ROW SINGLE WAFER SMT HEADER	MOLEX INCORPORATED	MATERIAL NO. SEE TABLE	DOCUMENT NO. SD-87898-003	SHEET NO. 7 OF 17			
DRAWN BY	DATE																				
SKLIM01	2005/10/26																				
CHECKED BY	DATE																				
NAGESHKN	2005/10/30																				
APPROVED BY	DATE																				
PTLIM	2005/11/07																				
SIZE A3	THIS DRAWING CONTAINS INFORMATION THAT IS PROPRIETARY TO MOLEX INCORPORATED AND SHOULD NOT BE USED WITHOUT WRITTEN PERMISSION																				
REV B2																					

PACKAGING OPTION PART NO.

TRY WITHOUT CAP	TRY WITH CAP	TUBE WITHOUT CAP	TUBE WITH CAP	TAPE & REEL WITHOUT CAP	TAPE & REEL WITH CAP	CKT SIZE	VOID POSITION	PLATING TYPE	DIMENSION			
									A	B	F	M
-----	-----	87898-1361	-----	-----	-----	13	----	1	33.02	30.48	11.94	8.13
-----	-----	87898-1362	-----	-----	-----	13	----	2	33.02	30.48	11.94	8.13
-----	-----	87898-1364	-----	-----	-----	13	----	4	33.02	30.48	11.94	8.13
-----	-----	87898-1365	-----	-----	-----	13	----	5	33.02	30.48	11.94	8.13
-----	-----	87898-1366	-----	-----	-----	13	----	6	33.02	30.48	11.94	8.13
-----	-----											
-----	-----	87898-1461	-----	-----	-----	14	----	1	35.56	33.02	11.94	8.13
-----	-----	87898-1462	-----	-----	-----	14	----	2	35.56	33.02	11.94	8.13
-----	-----	87898-1464	-----	-----	-----	14	----	4	35.56	33.02	11.94	8.13
-----	-----	87898-1465	-----	-----	-----	14	----	5	35.56	33.02	11.94	8.13
-----	-----	87898-1466	-----	-----	-----	14	----	6	35.56	33.02	11.94	8.13
-----	-----											
-----	-----	87898-1561	-----	-----	-----	15	----	1	38.10	35.56	11.94	8.13
-----	-----	87898-1562	-----	-----	-----	15	----	2	38.10	35.56	11.94	8.13
-----	-----	87898-1564	-----	-----	-----	15	----	4	38.10	35.56	11.94	8.13
-----	-----	87898-1565	-----	-----	-----	15	----	5	38.10	35.56	11.94	8.13
-----	-----	87898-1566	-----	-----	-----	15	----	6	38.10	35.56	11.94	8.13

REVISE T&R QTY EC NO: S2009-0327 DRWN:SKANG 2008/11/26 CHKD:ATSEE 2008/11/27 APPR:MLONG 2008/11/28	QUALITY SYMBOLS	GENERAL TOLERANCES (UNLESS SPECIFIED)	DIMENSION STYLE	SCALE	DESIGN UNITS	THIRD ANGLE PROJECTION
	$\nabla = 0$ $\square = 0$	mm INCH	MM ONLY	NTS	METRIC	
		4 PLACES ± --- ± ---	DRAWN BY DATE	TITLE		
		3 PLACES ± --- ± ---	SKLIM01 2005/10/26	CUSTOM HEADER		
		2 PLACES ± 0.2 ± ---	CHECKED BY DATE	2.54MM PITCH SINGLE ROW		
	1 PLACE ± --- ± ---	NAGESHKN 2005/10/30	SINGLE WAFER SMT HEADER			
	ANGULAR ± 3 °	APPROVED BY DATE	MOLEX INCORPORATED			
		PTLIM 2005/11/07	MATERIAL NO. DOCUMENT NO.			
			SEE TABLE		SD-87898-003	SHEET NO.
			SIZE A3		8 OF 17	
			THIS DRAWING CONTAINS INFORMATION THAT IS PROPRIETARY TO MOLEX INCORPORATED AND SHOULD NOT BE USED WITHOUT WRITTEN PERMISSION			

PACKAGING OPTION PART NO.

TRY WITHOUT CAP	TRY WITH CAP	TUBE WITHOUT CAP	TUBE WITH CAP	TAPE & REEL WITHOUT CAP	TAPE & REEL WITH CAP	CKT SIZE	VOID POSITION	PLATING TYPE	DIMENSION			
									A	B	F	M
-----	-----	87898-1661	-----	-----	-----	16	-----	1	40.64	38.10	11.94	8.13
-----	-----	87898-1662	-----	-----	-----	16	-----	2	40.64	38.10	11.94	8.13
-----	-----	87898-1664	-----	-----	-----	16	-----	4	40.64	38.10	11.94	8.13
-----	-----	87898-1665	-----	-----	-----	16	-----	5	40.64	38.10	11.94	8.13
-----	-----	87898-1666	-----	-----	-----	16	-----	6	40.64	38.10	11.94	8.13
-----	-----	87898-1761	-----	-----	-----	17	-----	1	43.18	40.64	11.94	8.13
-----	-----	87898-1762	-----	-----	-----	17	-----	2	43.18	40.64	11.94	8.13
-----	-----	87898-1764	-----	-----	-----	17	-----	4	43.18	40.64	11.94	8.13
-----	-----	87898-1765	-----	-----	-----	17	-----	5	43.18	40.64	11.94	8.13
-----	-----	87898-1766	-----	-----	-----	17	-----	6	43.18	40.64	11.94	8.13
-----	-----	87898-1861	-----	-----	-----	18	-----	1	45.72	43.18	11.94	8.13
-----	-----	87898-1862	-----	-----	-----	18	-----	2	45.72	43.18	11.94	8.13
-----	-----	87898-1864	-----	-----	-----	18	-----	4	45.72	43.18	11.94	8.13
-----	-----	87898-1865	-----	-----	-----	18	-----	5	45.72	43.18	11.94	8.13
-----	-----	87898-1866	-----	-----	-----	18	-----	6	45.72	43.18	11.94	8.13

REVISE T&R QTY EC NO: S2009-0327 DRWN:SKANG CHKD:ATSEE APPR:MLONG 2008/11/26 2008/11/27 2008/11/28	QUALITY SYMBOLS	GENERAL TOLERANCES (UNLESS SPECIFIED)	DIMENSION STYLE	SCALE	DESIGN UNITS	THIRD ANGLE PROJECTION	
	▽=0 ◻=0	mm INCH	MM ONLY	NTS	METRIC		
		4 PLACES ± --- ± ---	DRAWN BY	DATE	TITLE		
		3 PLACES ± --- ± ---	SKLIM01	2005/10/26	CUSTOM HEADER		
		2 PLACES ± 0.2 ± ---	CHECKED BY	DATE	2.54MM PITCH SINGLE ROW		
	1 PLACE ± --- ± ---	NAGESHKN	2005/10/30	SINGLE WAFER SMT HEADER			
	ANGULAR ± 3 °	APPROVED BY	DATE	MOLEX INCORPORATED			
		PTLIM	2005/11/07	MATERIAL NO. DOCUMENT NO.			
		DRAFT WHERE APPLICABLE MUST REMAIN WITHIN DIMENSIONS		SEE TABLE		SD-87898-003	
		SIZE	THIS DRAWING CONTAINS INFORMATION THAT IS PROPRIETARY TO MOLEX INCORPORATED AND SHOULD NOT BE USED WITHOUT WRITTEN PERMISSION				
		A3	SHEET NO. 9 OF 17				

PACKAGING OPTION PART NO.										DIMENSION			
TRY WITHOUT CAP	TRY WITH CAP	TUBE WITHOUT CAP	TUBE WITH CAP	TAPE & REEL WITHOUT CAP	TAPE & REEL WITH CAP	CKT SIZE	VOID POSITION	PLATING TYPE	A	B	F	M	
-----	-----	87898-1961	-----	-----	-----	19	----	1	48.26	45.72	11.94	8.13	
-----	-----	87898-1962	-----	-----	-----	19	----	2	48.26	45.72	11.94	8.13	
-----	-----	87898-1964	-----	-----	-----	19	----	4	48.26	45.72	11.94	8.13	
-----	-----	87898-1965	-----	-----	-----	19	----	5	48.26	45.72	11.94	8.13	
-----	-----	87898-1966	-----	-----	-----	19	----	6	48.26	45.72	11.94	8.13	
-----	-----	87898-2061	-----	-----	-----	20	----	1	50.80	48.26	11.94	8.13	
-----	-----	87898-2062	-----	-----	-----	20	----	2	50.80	48.26	11.94	8.13	
-----	-----	87898-2064	-----	-----	-----	20	----	4	50.80	48.26	11.94	8.13	
-----	-----	87898-2065	-----	-----	-----	20	----	5	50.80	48.26	11.94	8.13	
-----	-----	87898-2066	-----	-----	-----	20	----	6	50.80	48.26	11.94	8.13	
-----	-----	87898-2161	-----	-----	-----	21	----	1	53.34	50.80	11.94	8.13	
-----	-----	87898-2162	-----	-----	-----	21	----	2	53.34	50.80	11.94	8.13	
-----	-----	87898-2164	-----	-----	-----	21	----	4	53.34	50.80	11.94	8.13	
-----	-----	87898-2165	-----	-----	-----	21	----	5	53.34	50.80	11.94	8.13	
-----	-----	87898-2166	-----	-----	-----	21	----	6	53.34	50.80	11.94	8.13	

REVISE T&R QTY EC NO: S2009-0327 DRWN:SKANG CHKD:ATSEE APPR:MLONG	2008/11/26 2008/11/27 2008/11/28	DESCRIPTION REV	QUALITY SYMBOLS	GENERAL TOLERANCES (UNLESS SPECIFIED)	DIMENSION STYLE	SCALE	DESIGN UNITS	THIRD ANGLE PROJECTION	
			= 0 = 0	mm INCH	MM ONLY	NTS	METRIC		
				4 PLACES ± --- ± --- 3 PLACES ± --- ± --- 2 PLACES ± 0.2 ± --- 1 PLACE ± --- ± ---	DRAWN BY SKLIM01 DATE 2005/10/26 CHECKED BY NAGESHKN DATE 2005/10/30 APPROVED BY PTLIM DATE 2005/11/07	TITLE	CUSTOM HEADER 2.54MM PITCH SINGLE ROW SINGLE WAFER SMT HEADER		
				ANGULAR ± 3 °	MATERIAL NO.	MOLEX INCORPORATED			
				DRAFT WHERE APPLICABLE MUST REMAIN WITHIN DIMENSIONS	SEE TABLE	DOCUMENT NO.	SD-87898-003		

PACKAGING OPTION PART NO.						CKT SIZE	VOID POSITION	PLATING TYPE	DIMENSION			
TRY WITHOUT CAP	TRY WITH CAP	TUBE WITHOUT CAP	TUBE WITH CAP	TAPE & REEL WITHOUT CAP	TAPE & REEL WITH CAP				A	B	F	M
F	-----	-----	87898-2261	-----	-----	22	----	1	55.88	53.34	11.94	8.13
	-----	-----	87898-2262	-----	-----	22	----	2	55.88	53.34	11.94	8.13
	-----	-----	87898-2264	-----	-----	22	----	4	55.88	53.34	11.94	8.13
	-----	-----	87898-2265	-----	-----	22	----	5	55.88	53.34	11.94	8.13
	-----	-----	87898-2266	-----	-----	22	----	6	55.88	53.34	11.94	8.13
E												
	-----	-----	87898-2361	-----	-----	23	----	1	58.42	55.88	11.94	8.13
	-----	-----	87898-2362	-----	-----	23	----	2	58.42	55.88	11.94	8.13
	-----	-----	87898-2364	-----	-----	23	----	4	58.42	55.88	11.94	8.13
	-----	-----	87898-2365	-----	-----	23	----	5	58.42	55.88	11.94	8.13
	-----	-----	87898-2366	-----	-----	23	----	6	58.42	55.88	11.94	8.13
D												
	-----	-----	87898-2461	-----	-----	24	----	1	60.96	58.42	11.94	8.13
	-----	-----	87898-2462	-----	-----	24	----	2	60.96	58.42	11.94	8.13
	-----	-----	87898-2464	-----	-----	24	----	4	60.96	58.42	11.94	8.13
	-----	-----	87898-2465	-----	-----	24	----	5	60.96	58.42	11.94	8.13
	-----	-----	87898-2466	-----	-----	24	----	6	60.96	58.42	11.94	8.13
C												

B												
---	--	--	--	--	--	--	--	--	--	--	--	--

REVISE T&R QTY EC NO: S2009-0327 DRWN:SKANG 2008/11/26 CHYKD:ATSEE 2008/11/27 APPR:MLONG 2008/11/28	QUALITY SYMBOLS ▽=0 ◻=0	GENERAL TOLERANCES (UNLESS SPECIFIED)		DIMENSION STYLE MM ONLY		SCALE NTS	DESIGN UNITS METRIC	THIRD ANGLE PROJECTION		
			mm	INCH	DRAWN BY	DATE	TITLE			
		4 PLACES	± ---	± ---	SKLIM01	2005/10/26	CUSTOM HEADER 2.54MM PITCH SINGLE ROW SINGLE WAFER SMT HEADER			
		3 PLACES	± ---	± ---	CHECKED BY	DATE				
2 PLACES	± 0.2	± ---	NAGESHKN	2005/10/30	MOLEX INCORPORATED					
1 PLACE	± ---	± ---	APPROVED BY	DATE						
ANGULAR ± 3 °		MATERIAL NO.		PTLIM		2005/11/07		DOCUMENT NO.		
DRAFT WHERE APPLICABLE MUST REMAIN WITHIN DIMENSIONS		SEE TABLE		SD-87898-003		SHEET NO.		11 OF 17		
		SIZE A3		THIS DRAWING CONTAINS INFORMATION THAT IS PROPRIETARY TO MOLEX INCORPORATED AND SHOULD NOT BE USED WITHOUT WRITTEN PERMISSION						

PACKAGING OPTION PART NO.

TRY WITHOUT CAP	TRY WITH CAP	TUBE WITHOUT CAP	TUBE WITH CAP	TAPE & REEL WITHOUT CAP	TAPE & REEL WITH CAP	CKT SIZE	VOID POSITION	PLATING TYPE	DIMENSION			
									A	B	F	M
-----	-----	87898-2561	-----	-----	-----	25	----	1	63.50	60.96	11.94	8.13
-----	-----	87898-2562	-----	-----	-----	25	----	2	63.50	60.96	11.94	8.13
-----	-----	87898-2564	-----	-----	-----	25	----	4	63.50	60.96	11.94	8.13
-----	-----	87898-2565	-----	-----	-----	25	----	5	63.50	60.96	11.94	8.13
-----	-----	87898-2566	-----	-----	-----	25	----	6	63.50	60.96	11.94	8.13
-----	-----	87898-2661	-----	-----	-----	26	----	1	66.04	63.50	11.94	8.13
-----	-----	87898-2662	-----	-----	-----	26	----	2	66.04	63.50	11.94	8.13
-----	-----	87898-2664	-----	-----	-----	26	----	4	66.04	63.50	11.94	8.13
-----	-----	87898-2665	-----	-----	-----	26	----	5	66.04	63.50	11.94	8.13
-----	-----	87898-2666	-----	-----	-----	26	----	6	66.04	63.50	11.94	8.13
-----	-----	87898-2761	-----	-----	-----	27	----	1	68.58	66.04	11.94	8.13
-----	-----	87898-2762	-----	-----	-----	27	----	2	68.58	66.04	11.94	8.13
-----	-----	87898-2764	-----	-----	-----	27	----	4	68.58	66.04	11.94	8.13
-----	-----	87898-2765	-----	-----	-----	27	----	5	68.58	66.04	11.94	8.13
-----	-----	87898-2766	-----	-----	-----	27	----	6	68.58	66.04	11.94	8.13

REVISE T&R QTY EC NO: S2009-0327 DRWN:SKANG CHKD:ATSEE APPR:MLONG 2008/11/26 2008/11/27 2008/11/28	QUALITY SYMBOLS	GENERAL TOLERANCES (UNLESS SPECIFIED)	DIMENSION STYLE	SCALE	DESIGN UNITS	THIRD ANGLE PROJECTION
	▽=0 □=0	mm INCH 4 PLACES ± --- ± --- 3 PLACES ± --- ± --- 2 PLACES ± 0.2 ± --- 1 PLACE ± --- ± --- ANGULAR ± 3 °	MM ONLY	NTS	METRIC	☉ □ THIRD ANGLE PROJECTION
	DESCRIPTION	DRAFT WHERE APPLICABLE MUST REMAIN WITHIN DIMENSIONS	DRAWN BY	DATE	TITLE	
	REV		SKLIM01	2005/10/26	CUSTOM HEADER 2.54MM PITCH SINGLE ROW SINGLE WAFER SMT HEADER	
	B2		PTLIM	2005/11/07	MOLEX INCORPORATED	
			SEE TABLE	SD-87898-003	SHEET NO. 12 OF 17	
			THIS DRAWING CONTAINS INFORMATION THAT IS PROPRIETARY TO MOLEX INCORPORATED AND SHOULD NOT BE USED WITHOUT WRITTEN PERMISSION			

PACKAGING OPTION PART NO.										CKT SIZE	VOID POSITION	PLATING TYPE	DIMENSION			
TRY WITHOUT CAP	TRY WITH CAP	TUBE WITHOUT CAP	TUBE WITH CAP	TAPE & REEL WITHOUT CAP	TAPE & REEL WITH CAP	A	B	F	M							
-----	-----	87898-2861	-----	-----	-----	28	----	1	71.12	68.58	11.94	8.13				
-----	-----	87898-2862	-----	-----	-----	28	----	2	71.12	68.58	11.94	8.13				
-----	-----	87898-2864	-----	-----	-----	28	----	4	71.12	68.58	11.94	8.13				
-----	-----	87898-2865	-----	-----	-----	28	----	5	71.12	68.58	11.94	8.13				
-----	-----	87898-2866	-----	-----	-----	28	----	6	71.12	68.58	11.94	8.13				
-----	-----	87898-2961	-----	-----	-----	29	----	1	73.66	71.12	11.94	8.13				
-----	-----	87898-2962	-----	-----	-----	29	----	2	73.66	71.12	11.94	8.13				
-----	-----	87898-2964	-----	-----	-----	29	----	4	73.66	71.12	11.94	8.13				
-----	-----	87898-2965	-----	-----	-----	29	----	5	73.66	71.12	11.94	8.13				
-----	-----	87898-2966	-----	-----	-----	29	----	6	73.66	71.12	11.94	8.13				
-----	-----	87898-3061	-----	-----	-----	30	----	1	76.20	73.66	11.94	8.13				
-----	-----	87898-3062	-----	-----	-----	30	----	2	76.20	73.66	11.94	8.13				
-----	-----	87898-3064	-----	-----	-----	30	----	4	76.20	73.66	11.94	8.13				
-----	-----	87898-3065	-----	-----	-----	30	----	5	76.20	73.66	11.94	8.13				
-----	-----	87898-3066	-----	-----	-----	30	----	6	76.20	73.66	11.94	8.13				


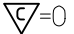
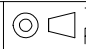
REVISE T&R QTY EC NO: S2009-0327 DRWN:SKANG 2008/11/26 CHYK:ATSEE 2008/11/27 APPR:MLONG 2008/11/28	QUALITY SYMBOLS	GENERAL TOLERANCES (UNLESS SPECIFIED)	DIMENSION STYLE	SCALE	DESIGN UNITS	THIRD ANGLE PROJECTION
	= 0 = 0	mm INCH	MM ONLY	NTS	METRIC	
		4 PLACES ± --- ± --- 3 PLACES ± --- ± --- 2 PLACES ± 0.2 ± --- 1 PLACE ± --- ± --- ANGULAR ± 3 °	DRAWN BY SKLIM01 DATE 2005/10/26 CHECKED BY NAGESHKN DATE 2005/10/30 APPROVED BY PTLIM DATE 2005/11/07	TITLE CUSTOM HEADER 2.54MM PITCH SINGLE ROW SINGLE WAFER SMT HEADER		
		DRAFT WHERE APPLICABLE MUST REMAIN WITHIN DIMENSIONS	MATERIAL NO. SEE TABLE SIZE A3 THIS DRAWING CONTAINS INFORMATION THAT IS PROPRIETARY TO MOLEX INCORPORATED AND SHOULD NOT BE USED WITHOUT WRITTEN PERMISSION	MOLEX INCORPORATED DOCUMENT NO. SD-87898-003 SHEET NO. 13 OF 17		

PACKAGING OPTION PART NO.						CKT SIZE	VOID POSITION	PLATING TYPE	DIMENSION			
TRY WITHOUT CAP	TRY WITH CAP	TUBE WITHOUT CAP	TUBE WITH CAP	TAPE & REEL WITHOUT CAP	TAPE & REEL WITH CAP				A	B	F	M
-----	-----	87898-3161	-----	-----	-----	31	----	1	78.74	76.20	11.94	8.13
-----	-----	87898-3162	-----	-----	-----	31	----	2	78.74	76.20	11.94	8.13
-----	-----	87898-3164	-----	-----	-----	31	----	4	78.74	76.20	11.94	8.13
-----	-----	87898-3165	-----	-----	-----	31	----	5	78.74	76.20	11.94	8.13
-----	-----	87898-3166	-----	-----	-----	31	----	6	78.74	76.20	11.94	8.13
-----	-----	87898-3261	-----	-----	-----	32	----	1	81.28	78.74	11.94	8.13
-----	-----	87898-3262	-----	-----	-----	32	----	2	81.28	78.74	11.94	8.13
-----	-----	87898-3264	-----	-----	-----	32	----	4	81.28	78.74	11.94	8.13
-----	-----	87898-3265	-----	-----	-----	32	----	5	81.28	78.74	11.94	8.13
-----	-----	87898-3266	-----	-----	-----	32	----	6	81.28	78.74	11.94	8.13
-----	-----	87898-3361	-----	-----	-----	33	----	1	83.82	81.28	11.94	8.13
-----	-----	87898-3362	-----	-----	-----	33	----	2	83.82	81.28	11.94	8.13
-----	-----	87898-3364	-----	-----	-----	33	----	4	83.82	81.28	11.94	8.13
-----	-----	87898-3365	-----	-----	-----	33	----	5	83.82	81.28	11.94	8.13
-----	-----	87898-3366	-----	-----	-----	33	----	6	83.82	81.28	11.94	8.13

REVISE T&R QTY EC NO: S2009-0327 DRWN:SKANG 2008/11/26 CHKD:ATSEE 2008/11/27 APPR:MLONG 2008/11/28									
--	--	--	--	--	--	--	--	--	--

QUALITY SYMBOLS ▽=0 □=0	GENERAL TOLERANCES (UNLESS SPECIFIED)		DIMENSION STYLE MM ONLY		SCALE NTS	DESIGN UNITS METRIC	THIRD ANGLE PROJECTION		
		mm	INCH	DRAWN BY	DATE	TITLE			
	4 PLACES	± ---	± ---	SKLIM01	2005/10/26	CUSTOM HEADER 2.54MM PITCH SINGLE ROW SINGLE WAFER SMT HEADER			
	3 PLACES	± ---	± ---	CHECKED BY	DATE				
	2 PLACES	± 0.2	± ---	NAGESHKN	2005/10/30	MOLEX INCORPORATED			
	1 PLACE	± ---	± ---	APPROVED BY	DATE				
	ANGULAR ± 3 °			PTLIM	2005/11/07	MATERIAL NO.		DOCUMENT NO.	SHEET NO.
DRAFT WHERE APPLICABLE MUST REMAIN WITHIN DIMENSIONS			SEE TABLE		SD-87898-003		14 OF 17		
			THIS DRAWING CONTAINS INFORMATION THAT IS PROPRIETARY TO MOLEX INCORPORATED AND SHOULD NOT BE USED WITHOUT WRITTEN PERMISSION						

PACKAGING OPTION PART NO.						CKT SIZE	VOID POSITION	PLATING TYPE	DIMENSION			
TRY WITHOUT CAP	TRY WITH CAP	TUBE WITHOUT CAP	TUBE WITH CAP	TAPE & REEL WITHOUT CAP	TAPE & REEL WITH CAP				A	B	F	M
-----	-----	87898-3461	-----	-----	-----	34	----	1	86.36	83.82	11.94	8.13
-----	-----	87898-3462	-----	-----	-----	34	----	2	86.36	83.82	11.94	8.13
-----	-----	87898-3464	-----	-----	-----	34	----	4	86.36	83.82	11.94	8.13
-----	-----	87898-3465	-----	-----	-----	34	----	5	86.36	83.82	11.94	8.13
-----	-----	87898-3466	-----	-----	-----	34	----	6	86.36	83.82	11.94	8.13
-----	-----	87898-3561	-----	-----	-----	35	----	1	88.90	86.36	11.94	8.13
-----	-----	87898-3562	-----	-----	-----	35	----	2	88.90	86.36	11.94	8.13
-----	-----	87898-3564	-----	-----	-----	35	----	4	88.90	86.36	11.94	8.13
-----	-----	87898-3565	-----	-----	-----	35	----	5	88.90	86.36	11.94	8.13
-----	-----	87898-3566	-----	-----	-----	35	----	6	88.90	86.36	11.94	8.13
-----	-----	87898-3661	-----	-----	-----	36	----	1	91.44	88.90	11.94	8.13
-----	-----	87898-3662	-----	-----	-----	36	----	2	91.44	88.90	11.94	8.13
-----	-----	87898-3664	-----	-----	-----	36	----	4	91.44	88.90	11.94	8.13
-----	-----	87898-3665	-----	-----	-----	36	----	5	91.44	88.90	11.94	8.13
-----	-----	87898-3666	-----	-----	-----	36	----	6	91.44	88.90	11.94	8.13

REVISE T&R QTY EC NO: S2009-0327 DRWN:SKANG CHKD:ATSEE APPR:MLONG	2008/11/26 2008/11/27 2008/11/28	DESCRIPTION REV	QUALITY SYMBOLS  = 0  = 0.2	GENERAL TOLERANCES (UNLESS SPECIFIED) <table border="1"> <tr><th colspan="2">mm</th><th>INCH</th></tr> <tr><td>4 PLACES</td><td>± ---</td><td>± ---</td></tr> <tr><td>3 PLACES</td><td>± ---</td><td>± ---</td></tr> <tr><td>2 PLACES</td><td>± 0.2</td><td>± ---</td></tr> <tr><td>1 PLACE</td><td>± ---</td><td>± ---</td></tr> </table>	mm		INCH	4 PLACES	± ---	± ---	3 PLACES	± ---	± ---	2 PLACES	± 0.2	± ---	1 PLACE	± ---	± ---	DIMENSION STYLE MM ONLY	SCALE NTS	DESIGN UNITS METRIC	 THIRD ANGLE PROJECTION
			mm		INCH																		
			4 PLACES	± ---	± ---																		
			3 PLACES	± ---	± ---																		
2 PLACES	± 0.2	± ---																					
1 PLACE	± ---	± ---																					
DRAWN BY SKLIM01	DATE 2005/10/26	TITLE CUSTOM HEADER 2.54MM PITCH SINGLE ROW SINGLE WAFER SMT HEADER																					
CHECKED BY NAGESHKN	DATE 2005/10/30																						
APPROVED BY PTLIM	DATE 2005/11/07	MATERIAL NO. SEE TABLE																					
DRAFT WHERE APPLICABLE MUST REMAIN WITHIN DIMENSIONS																							
SIZE A3		THIS DRAWING CONTAINS INFORMATION THAT IS PROPRIETARY TO MOLEX INCORPORATED AND SHOULD NOT BE USED WITHOUT WRITTEN PERMISSION																					



MOLEX INCORPORATED

DOCUMENT NO.
SD-87898-003

PACKAGING OPTION PART NO.

F	TRY WITHOUT CAP	TRY WITH CAP	TUBE WITHOUT CAP	TUBE WITH CAP	TAPE & REEL WITHOUT CAP	TAPE & REEL WITH CAP	CKT SIZE	VOID POSITION	PLATING TYPE	DIMENSION			
	A	B	F	M									
	-----	-----	87898-3761	-----	-----	-----	37	----	1	93.98	91.44	11.94	8.13
	-----	-----	87898-3762	-----	-----	-----	37	----	2	93.98	91.44	11.94	8.13
	-----	-----	87898-3764	-----	-----	-----	37	----	4	93.98	91.44	11.94	8.13
	-----	-----	87898-3765	-----	-----	-----	37	----	5	93.98	91.44	11.94	8.13
	-----	-----	87898-3766	-----	-----	-----	37	----	6	93.98	91.44	11.94	8.13
	-----	-----	87898-3861	-----	-----	-----	38	----	1	96.52	93.98	11.94	8.13
	-----	-----	87898-3862	-----	-----	-----	38	----	2	96.52	93.98	11.94	8.13
	-----	-----	87898-3864	-----	-----	-----	38	----	4	96.52	93.98	11.94	8.13
	-----	-----	87898-3865	-----	-----	-----	38	----	5	96.52	93.98	11.94	8.13
	-----	-----	87898-3866	-----	-----	-----	38	----	6	96.52	93.98	11.94	8.13
	-----	-----	87898-3961	-----	-----	-----	39	----	1	99.06	96.52	11.94	8.13
	-----	-----	87898-3962	-----	-----	-----	39	----	2	99.06	96.52	11.94	8.13
	-----	-----	87898-3964	-----	-----	-----	39	----	4	99.06	96.52	11.94	8.13
	-----	-----	87898-3965	-----	-----	-----	39	----	5	99.06	96.52	11.94	8.13
	-----	-----	87898-3966	-----	-----	-----	39	----	6	99.06	96.52	11.94	8.13

REVISE T&R QTY EC NO: S2009-0327 DRWN:SKANG 2008/11/26 CHKD:ATSEE 2008/11/27 APPR:MLONG 2008/11/28	QUALITY SYMBOLS	GENERAL TOLERANCES (UNLESS SPECIFIED)		DIMENSION STYLE MM ONLY		SCALE NTS	DESIGN UNITS METRIC	THIRD ANGLE PROJECTION	
	▽=0	mm	INCH	DRAWN BY	DATE	TITLE			
	∇=0	4 PLACES ± ---	± ---	SKLIM01	2005/10/26	CUSTOM HEADER 2.54MM PITCH SINGLE ROW SINGLE WAFER SMT HEADER			
		3 PLACES ± ---	± ---	CHECKED BY	DATE				
		2 PLACES ± 0.2	± ---	NAGESHKN	2005/10/30	MOLEX INCORPORATED			
	1 PLACE ± ---	± ---	APPROVED BY	DATE					
	ANGULAR ± 3 °			PTLIM	2005/11/07	MATERIAL NO.	DOCUMENT NO.	SHEET NO.	
		DRAFT WHERE APPLICABLE MUST REMAIN WITHIN DIMENSIONS		SEE TABLE		SD-87898-003		16 OF 17	
B2	REV			SIZE A3		THIS DRAWING CONTAINS INFORMATION THAT IS PROPRIETARY TO MOLEX INCORPORATED AND SHOULD NOT BE USED WITHOUT WRITTEN PERMISSION			

PACKAGING OPTION PART NO.

TRY WITHOUT CAP	TRY WITH CAP	TUBE WITHOUT CAP	TUBE WITH CAP	TAPE & REEL WITHOUT CAP	TAPE & REEL WITH CAP	CKT SIZE	VOID POSITION	PLATING TYPE	DIMENSION			
									A	B	F	M
-----	-----	87898-4061	-----	-----	-----	40	----	1	101.6	99.06	11.94	8.13
-----	-----	87898-4062	-----	-----	-----	40	----	2	101.6	99.06	11.94	8.13
-----	-----	87898-4064	-----	-----	-----	40	----	4	101.6	99.06	11.94	8.13
-----	-----	87898-4065	-----	-----	-----	40	----	5	101.6	99.06	11.94	8.13
-----	-----	87898-4066	-----	-----	-----	40	----	6	101.6	99.06	11.94	8.13

REVISE T&R QTY EC NO: S2009-0327 DRWN:SKANG CHKD:ATSEE APPR:MLONG 2008/11/26 2008/11/27 2008/11/28	QUALITY SYMBOLS	GENERAL TOLERANCES (UNLESS SPECIFIED)		DIMENSION STYLE MM ONLY		SCALE NTS	DESIGN UNITS METRIC	THIRD ANGLE PROJECTION	
	▼=0	4 PLACES	± ---	± ---	DRAWN BY	DATE	TITLE		
	◻=0	3 PLACES	± ---	± ---	CHECKED BY	DATE	CUSTOM HEADER		
		2 PLACES	± 0.2	± ---	NAGESHKN	2005/10/30	2.54MM PITCH SINGLE ROW		
		1 PLACE	± ---	± ---	APPROVED BY	DATE	SINGLE WAFER SMT HEADER		
		ANGULAR ± 3 °		PTLIM	2005/11/07	MOLEX INCORPORATED			
		DRAFT WHERE APPLICABLE MUST REMAIN WITHIN DIMENSIONS		MATERIAL NO.	SEE TABLE		DOCUMENT NO.	SD-87898-003	
				SIZE	THIS DRAWING CONTAINS INFORMATION THAT IS PROPRIETARY TO MOLEX INCORPORATED AND SHOULD NOT BE USED WITHOUT WRITTEN PERMISSION			SHEET NO. 17 OF 17	