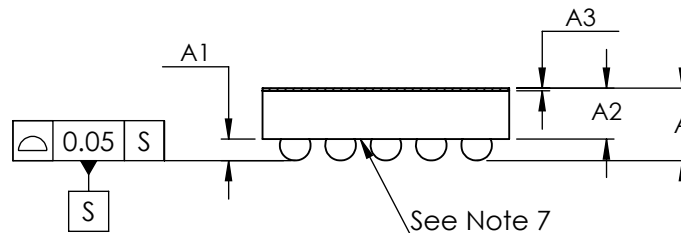
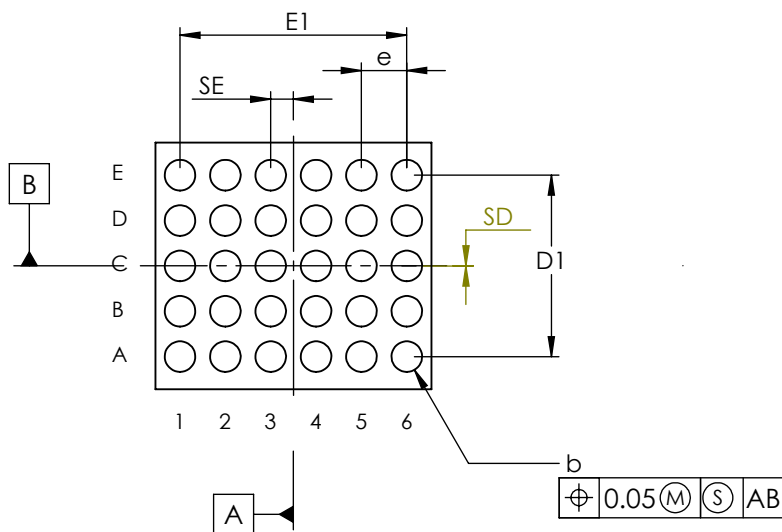


TOP VIEW



SIDE VIEW

COMMON DIMENSIONS	
A	0.64 ±0.05
A1	0.19 ±0.03
A2	0.45 REF
A3	0.025 BASIC
b	∅0.27 ±0.03
D1	1.60 BASIC
E1	2.00 BASIC
e	0.40 BASIC
SD	0.00 BASIC
SE	0.20 BASIC



BOTTOM VIEW

PKG. CODE	E	D	DEPOPULATED BUMPS
W302B2+1	2.48±0.06	2.38±0.06	NONE
W302B2+2	2.435±0.015	2.315±0.015	NONE
W302C2+1	2.435±0.015	2.175±0.015	NONE
W302D2+1	2.668±0.025	2.308±0.025	NONE

NOTES:

1. Terminal pitch is defined by terminal center to center value.
2. Outer dimension is defined by center lines between scribe lines.
3. All dimensions in millimeter.
4. Marking shown is for package orientation reference only.
5. Tolerance is ± 0.02 unless specified otherwise.
6. All dimensions apply to PbFree (+) package codes only.
7. Front - side finish can be either Black or Clear.

-DRAWING NOT TO SCALE-

 <b>maxim integrated™</b>	
TITLE PACKAGE OUTLINE 30 BUMPS, WLP PKG. 0.4mm PITCH	
APPROVAL	DOCUMENT CONTROL NO. 21-0548
REV. D	1/1