

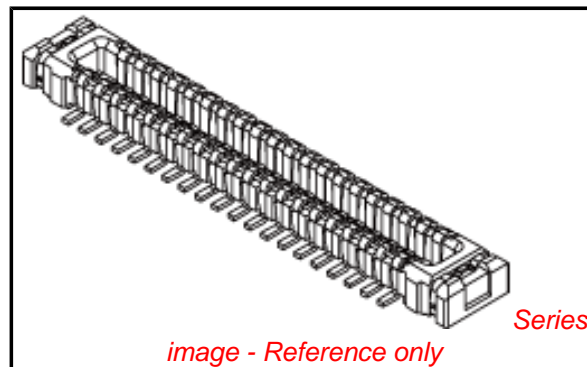
**PLEASE CHECK WWW.MOLEX.COM FOR LATEST PART INFORMATION**

**Part Number:** [5024305030](#)  
**Status:** **Active**  
**Overview:** [slimstack\\_mm016\\_pitch](#)  
**Description:** 0.40mm (.016") Pitch SlimStack™ Board-to-Board, Plug, SMT, Dual Row, Vertical Stacking, 1.00mm (.039") Stacking Height, With Solder Tabs, with Vacuum Tape, 50 Circuits

**Documents:**

[3D Model](#)  
[Drawing \(PDF\)](#)

[RoHS Certificate of Compliance \(PDF\)](#)



**General**

Product Family	PCB Headers
Series	<a href="#">502430</a>
Application	Board-to-Board
Overview	<a href="#">slimstack_mm016_pitch</a>
Product Name	SlimStack™

**Physical**

Breakaway	No
Circuits (Loaded)	50
Color - Resin	Black
Durability (mating cycles max)	30
Glow-Wire Compliant	No
Mated Height (in)	0.039 In
Mated Height (mm)	1.00 mm
Material - Metal	Phosphor Bronze
Material - Plating Mating	Gold
Material - Plating Termination	Gold
Number of Rows	2
Orientation	Vertical
PCB Locator	No
PCB Retention	Yes
Packaging Type	Embossed Tape on Reel
Pitch - Mating Interface (in)	0.016 In
Pitch - Mating Interface (mm)	0.40 mm
Polarized to Mating Part	No
Polarized to PCB	No
Stackable	No
Temperature Range - Operating	-20°C to +85°C
Termination Interface: Style	Surface Mount

**Electrical**

Current - Maximum per Contact	0.3A
Voltage - Maximum	50V AC (RMS)/DC

**Material Info**

**Reference - Drawing Numbers**

Packaging Specification	SPK-502430-001
Product Specification	RPS-502426-002, RPS-502426-004, RPS-502426-013, RPS-502426-014, RPS-502426-015, RPS-502426-017, RPS-502426-019
Sales Drawing	SD-502430-003, SD-502430-004

**EU RoHS**

**ELV and RoHS  
Compliant**  
**REACH SVHC**  
 Not Reviewed  
**Halogen-Free  
Status**  
 Not Reviewed

**China RoHS**



**Need more information on product  
environmental compliance?**

Email [productcompliance@molex.com](mailto:productcompliance@molex.com)  
 For a multiple part number RoHS Certificate of Compliance, [click here](#)

Please visit the [Contact Us](#) section for any non-product compliance questions.

**Search Parts in this Series**

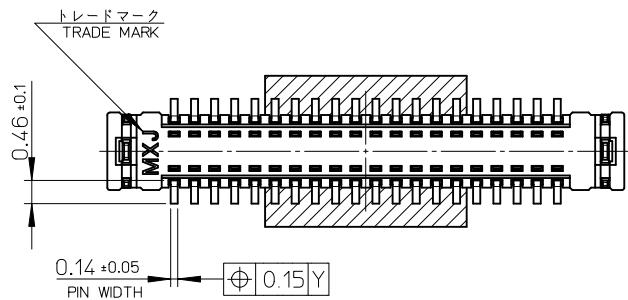
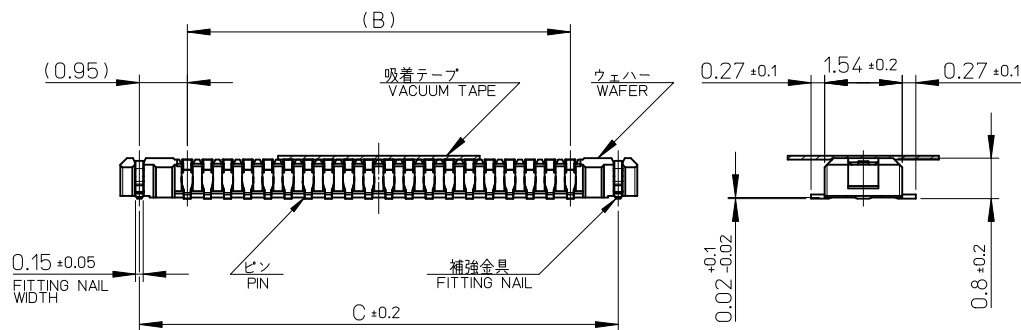
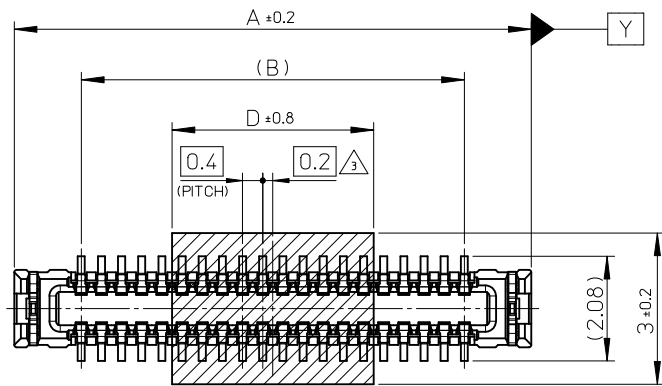
[502430Series](#)

**Mates With**

[502426 PCB Receptacle](#)

This document was generated on 05/26/2010

**PLEASE CHECK [WWW.MOLEX.COM](http://WWW.MOLEX.COM) FOR LATEST PART INFORMATION**

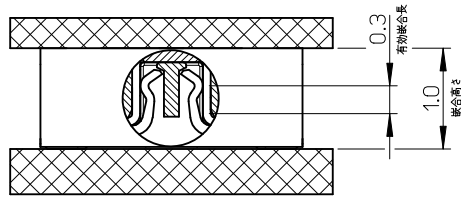


10.0	19.5	17.6	20.26	502430-9030	90
	17.5	15.6	18.26	502430-8030	80
	15.5	13.6	16.26	502430-7030	70
7.0	13.5	11.6	14.26	502430-6030	60
	11.5	9.6	12.26	502430-5030	50
4.0	9.5	7.6	10.26	502430-4030	40
	7.9	6.0	8.66	502430-3230	32
3.4	6.7	4.8	7.46	502430-2630	26
	6.3	4.4	7.06	502430-2430	24
	5.9	4.0	6.66	502430-2230	22
2.4	5.5	3.6	6.26	502430-2030	20
	4.3	2.4	5.06	502430-1430	14
D	C	B	A	EMBOSSED TAPE PACKAGE ORDER No.	CKT.

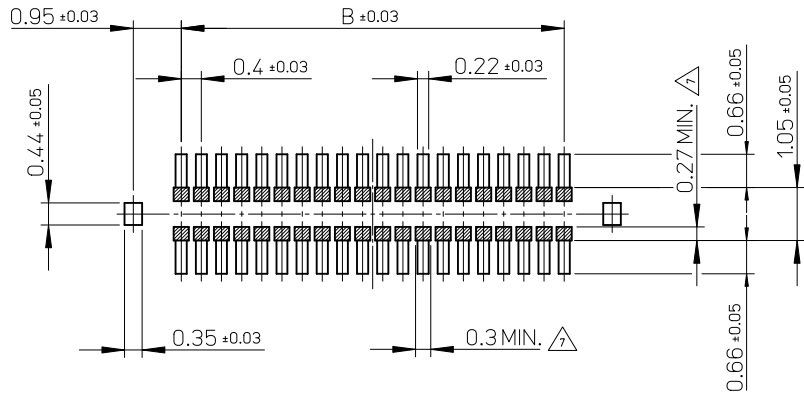
CONNECTOR SERIES No. : 502430-\*\*39

REVISED EC NO: J2010-1588 DRWN: TANIGUCHI 012010/02/02 CHKD: THIRATA 2010/02/02 APPR: MSASAO 2010/02/03	GENERAL TOLERANCES (UNLESS SPECIFIED)		DIMENSION STYLE MM ONLY		SCALE 10:1	DESIGN UNITS METRIC	THIRD ANGLE PROJECTION		
	10 UNDER ± ---	10 OVER 30 UNDER ± ---	30 OVER ± ---	DRAWN BY RTAKEUCHI	DATE 2007/12/26	TITLE 0.4 B-TO-B CONN. HGT=1.0 W=2.6 PLUG ASSY WITH TAPE			
	ANGULAR ± --- °			CHECKED BY MSASAO	DATE 2007/12/26	MOLEX INCORPORATED			
	DRAFT WHERE APPLICABLE MUST REMAIN WITHIN DIMENSIONS			APPROVED BY MSASAO	DATE 2007/12/26	MATERIAL NO. SEE TABLE	DOCUMENT NO. SD-502430-003	SHEET NO. 1 OF 2	

THIS DRAWING CONTAINS INFORMATION THAT IS PROPRIETARY TO MOLEX INCORPORATED AND SHOULD NOT BE USED WITHOUT WRITTEN PERMISSION



嵌合断面図 (参考)  
MATED DRAWING (REFERENCE)



P.C. BOARD PATTERN LAYOUT  
(REFERENCE)

注記 NOTES

1. 使用材料 MATERIAL

ウェハー : 液晶ポリマー ( LCP ) ガラス充填 UL94V-0 (黒)  
WAFER: LIQUID CRYSTAL POLYMER (GLASS FILLED) UL94V-0 (COLOR: BLACK)

ピン : りん青銅 (t=0.08)  
PIN : PHOSPHOR BRONZE (t=0.08)

金具 : りん青銅 (t=0.15)  
FITTING NAIL : PHOSPHOR BRONZE (t=0.15)

吸着テープ : ポリイミド  
VACUUM TAPE : POLYIMIDE

2. メッキ仕様 PLATING

ピン PIN

金メッキ 0.1 マイクロメートル以上  
GOLD 0.2 MICROMETER MINIMUM

下地メッキ : ニッケルメッキ 1.0 マイクロメートル以上  
UNDER PLATING : NICKEL 1.0 MICROMETER MINIMUM

※コンタクト部とテール部はニッケルメッキによって分断されている金メッキです。  
DIVIDE INTO PARTS THE GOLD PLATING OF THE CONTACT AND THE TAIL PART BY THE NICKEL PLATING.

※封孔処理品

金具 FITTING NAIL

フラッシュ金メッキ  
FLASH Au PLATING

下地メッキ : ニッケルメッキ 1.0 マイクロメートル以上  
UNDER PLATING : NICKEL 1.0 MICROMETER MINIMUM

③ (全極数 / 2) = 偶数の場合に適用。  
APPLY FOR (CIRCUIT/2) = EVEN.

4. 嵌合相手 : 502426 シリーズ  
MATE WITH : 502426 SERIES.

5. テール平坦度は、0.08 以下  
テール及び金具の平坦度は、0.1 以下  
TAIL COPLANARITY TO BE 0.08 MAXIMUM.  
TAIL AND FITTING NAIL COPLANARITY TO BE 0.1 MAXIMUM.

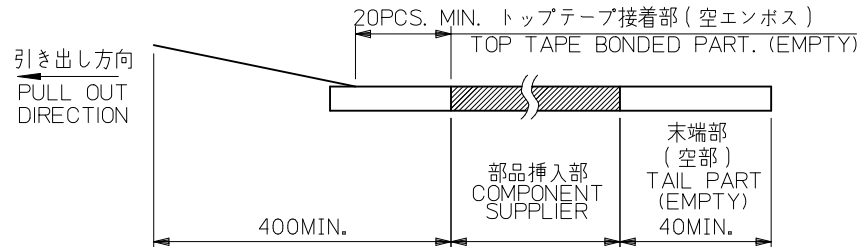
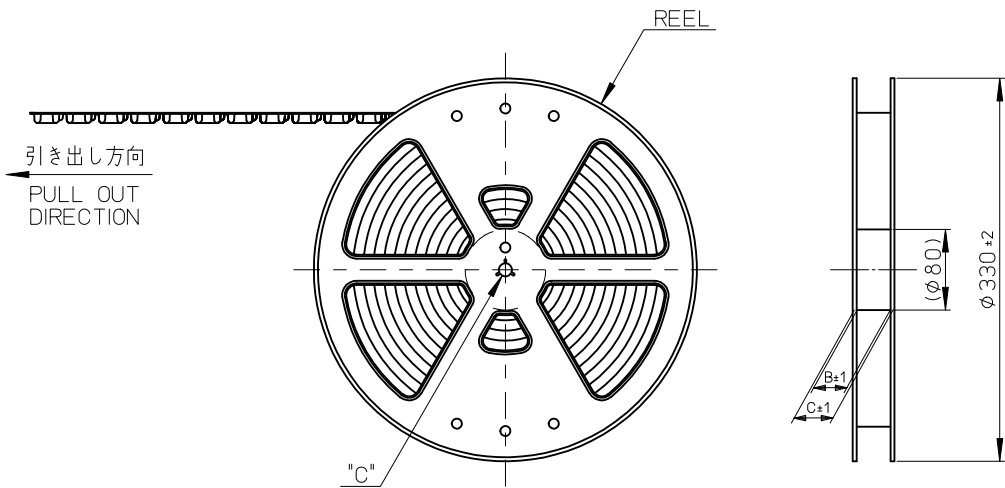
6. ELV 及び RoHS 適合品  
ELV AND RoHS COMPLIANT.

⑦ 斜線部はパターン書込み禁止範囲と半田禁止範囲を示す。  
ただし、斜線部に同一配線を配置する場合はレジストを施し、この部分に半田は無きこと。  
NO PATTERN CIRCUIT AND NO SOLDER ALLOWED IN THE SHADED AREA.  
HOWEVER, IF NEEDED TO ADD A TRACE OF THE SAME CIRCUIT, PUT THE SOLDER-RESIST, YET NO SOLDER ALLOWED IN THE AREA.

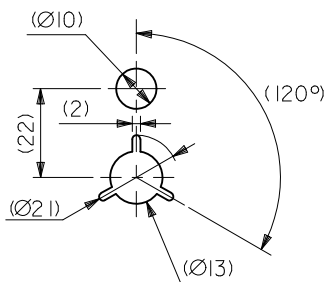
REVISED EC NO: J2010-1588 DRWN: TANIGUCHI 012010/02/02 CHKD: THIRATA 2010/02/02 APPR: MSASAO 2010/02/03	GENERAL TOLERANCES (UNLESS SPECIFIED)		DIMENSION STYLE MM ONLY	SCALE 10:1	DESIGN UNITS METRIC	THIRD ANGLE PROJECTION
	10 UNDER	±---	DRAWN BY RTAKEUCHI	DATE 2007/12/26	TITLE 0.4 B-TO-B CONN. HGT=1.0 W=2.6 PLUG ASSY WITH TAPE	
	10 OVER 30 UNDER	±---	CHECKED BY MSASAO	DATE 2007/12/26	MOLEX INCORPORATED	
	30 OVER	±---	APPROVED BY MSASAO	DATE 2007/12/26		
ANGULAR	±---°	MATERIAL NO. SEE SHEET 1		DOCUMENT NO. SD-502430-003	SHEET NO. 2 OF 2	
DRAFT WHERE APPLICABLE MUST REMAIN WITHIN DIMENSIONS		SIZE A3	THIS DRAWING CONTAINS INFORMATION THAT IS PROPRIETARY TO MOLEX INCORPORATED AND SHOULD NOT BE USED WITHOUT WRITTEN PERMISSION			

注記 NOTES

- 製品詳細寸法については製品単体図面を参照下さい。  
RE DETAILED DIMENSION, SEE PRODUCT DRAWING.
- 梱包数量: 3000 個/リール  
NUMBER OF CONNECTORS: 3000PCS/REEL
- リードテープ長さ LEAD TAPE LENGTH

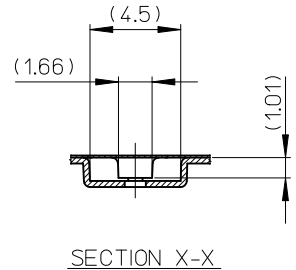
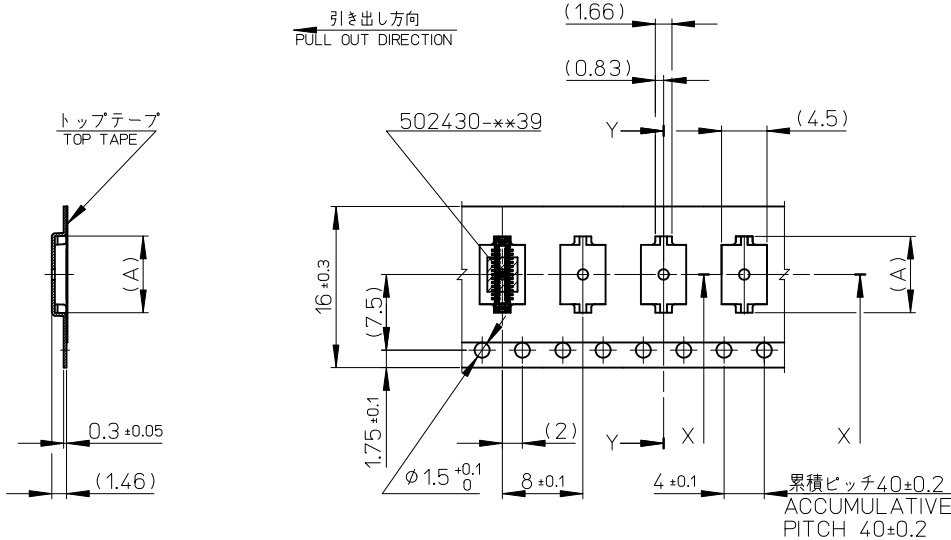


- 材料 MATERIAL  
キャリアテープ (CARRIER TAPE): ポリスチレン (POLYSTYRENE)  
トップテープ (TOP TAPE): PET, PE, PEF  
リール (REEL): ポリスチレン (PS) <リサイクル材を含む>  
POLYSTYRENE (PS) <RECYCLE MATERIAL CONTAINED>
- ELV及びRoHS適合品。  
ELV AND RoHS COMPLIANT.



DETAIL "C"

REVISED EC NO: J2010-1588 DRWN: TANIGUCHI 012010/02/02 CHKD: THIRATA 2010/02/02 APPR: MSASAO 2010/02/03	GENERAL TOLERANCES (UNLESS SPECIFIED)		DIMENSION STYLE MM ONLY		SCALE ---	DESIGN UNITS METRIC	MODEL NO.   502430-***30
	10 UNDER	±---	DRAWN BY RTAKEUCHI	DATE 2007/12/26	TITLE 0.4 B-TO-B CONN. HGT=1.0 W=2.6 PLUG WITH TAPE EMBSTP PKG		
	10 OVER 30 UNDER	±---	CHECKED BY MSASAO	DATE 2007/12/26	APPROVED BY MSASAO 2007/12/26		
	30 OVER	±---	MATERIAL NO. SEE TABLE		DOCUMENT NO. SD-502430-004		
	ANGULAR ±---°	DRAFT WHERE APPLICABLE MUST REMAIN WITHIN DIMENSIONS		SHEET NO. 1 OF 4			

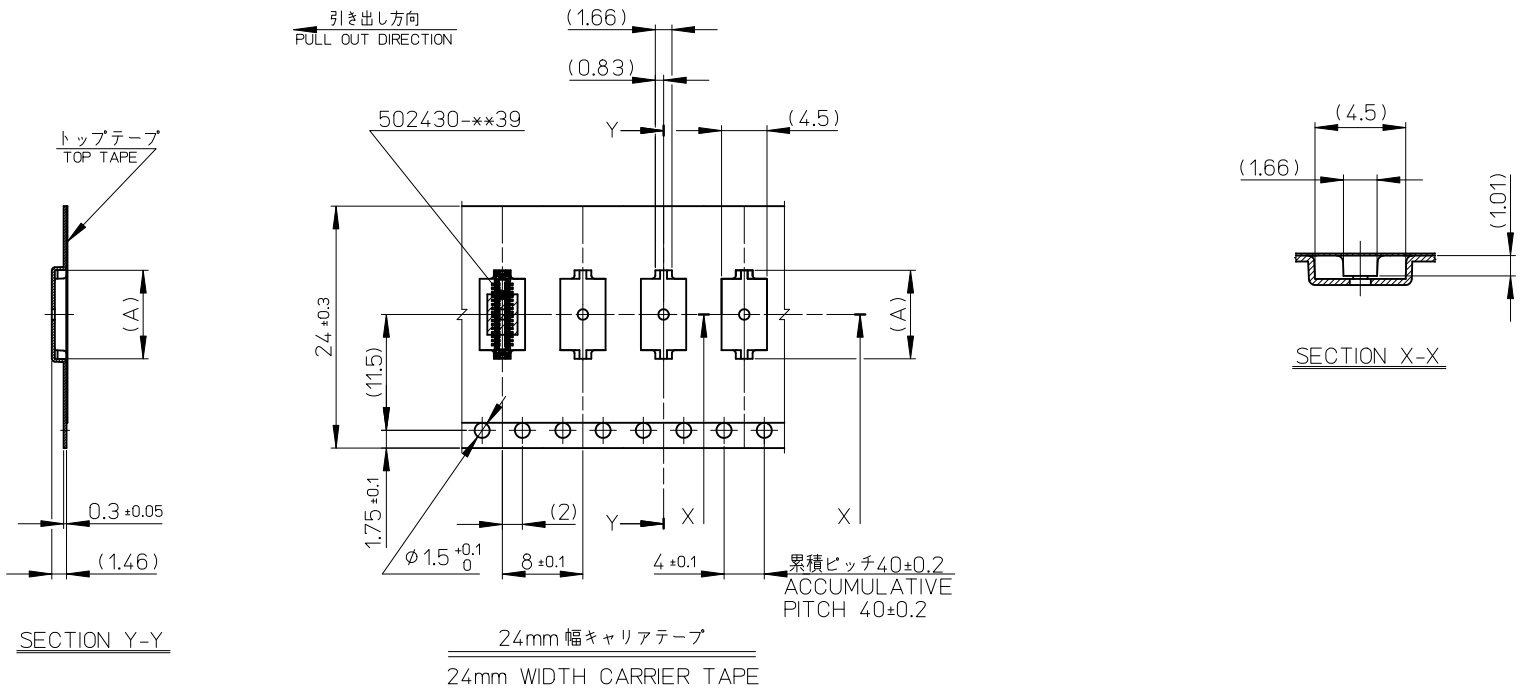


SECTION Y-Y

16mm 幅キャリアテープ  
16mm WIDTH CARRIER TAPE

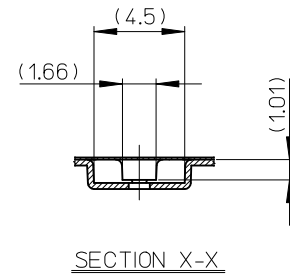
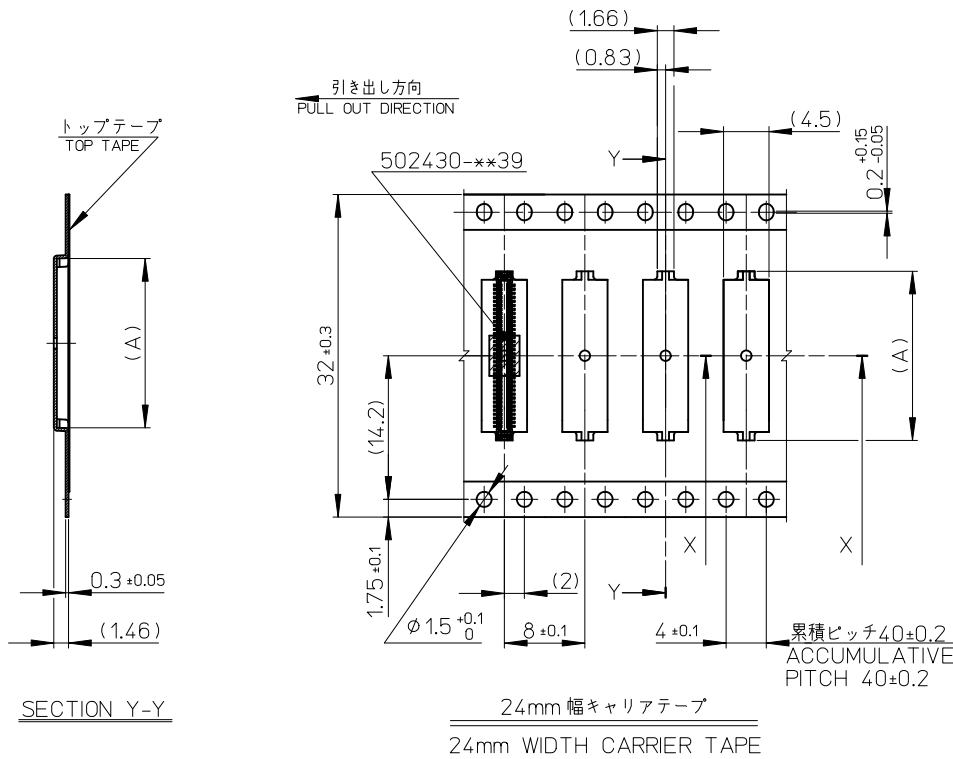
16	21.4	17.4	7.58	502430-2630	26
			7.18	502430-2430	24
			6.78	502430-2230	22
			6.38	502430-2030	20
			5.18	502430-1430	14
キャリアテープ幅 CARRIER TAPE WIDTH			C	B	(A)
			MATERIAL No.		CKT.
			MODEL No.		502430-**30

REVISED EC NO: J2010-1588 DRWN: TANIGUCHI 2010/02/02 CHKD: THIRATA 2010/02/02 APPR: MSASAO 2010/02/03	DESCRIPTION REV	GENERAL TOLERANCES (UNLESS SPECIFIED)		DIMENSION STYLE MM ONLY		SCALE ---	DESIGN UNITS METRIC	THIRD ANGLE PROJECTION	
		10 UNDER	±---	DRAWN BY RTAKEUCHI	DATE 2007/12/26	TITLE 0.4 B-TO-B CONN. HGT=1.0 W=2.6 PLUG WITH TAPE EMBSTP PKG			
		10 OVER 30 UNDER	±---	CHECKED BY MSASAO	DATE 2007/12/26	MOLEX INCORPORATED			
		30 OVER	±---	APPROVED BY MSASAO	DATE 2007/12/26	DOCUMENT NO. SD-502430-004			
ANGULAR ±---°		DRAFT WHERE APPLICABLE MUST REMAIN WITHIN DIMENSIONS		MATERIAL NO. SEE TABLE		SHEET NO. 2 OF 4			



24	29.4	25.4	14.38	502430-6030	60
			12.38	502430-5030	50
			10.38	502430-4030	40
			8.78	502430-3230	32
キャリアテープ幅 CARRIER TAPE WIDTH			(A)	MATERIAL No.	CKT.
			MODEL No.	502430-***30	

REVISED EC NO: J2010-1588 DRWN: TANIGUCHI 01 2010/02/02 CHKD: THIRATA 2010/02/02 APPR: MSASAO 2010/02/03	DESCRIPTION GENERAL TOLERANCES (UNLESS SPECIFIED)	10 UNDER	±---	DIMENSION STYLE	SCALE	DESIGN UNITS	TITLE 0.4 B-TO-B CONN. HGT=1.0 W=2.6 PLUG WITH TAPE EMBSTP PKG MOLEX INCORPORATED DOCUMENT NO. SD-502430-004	THIRD ANGLE PROJECTION
		10 OVER	±---	MM ONLY	---	METRIC		
		30 UNDER	±---	DRAWN BY	DATE	TITLE		
		30 OVER	±---	RTAKEUCHI	2007/12/26			
		ANGULAR	±---°	CHECKED BY	DATE			
	DRAFT WHERE APPLICABLE MUST REMAIN WITHIN DIMENSIONS	MSASAO	2007/12/26					
				APPROVED BY	DATE			
				MSASAO	2007/12/26			
				MATERIAL NO.				
				SEE TABLE				
				SIZE	THIS DRAWING CONTAINS INFORMATION THAT IS PROPRIETARY TO MOLEX INCORPORATED AND SHOULD NOT BE USED WITHOUT WRITTEN PERMISSION			
				A3				



32	37.4	33.4	20.38	502430-9030	90
			18.38	502430-8030	80
			16.38	502430-7030	70
キャリアテープ幅 CARRIER TAPE WIDTH			C	B	(A)
			MODEL No.		502430-**-30

REVISED EC NO: J2010-1588 DRWN: TANI GUCHI 01 2010/02/02 CHKD: 2010/02/02 APPR: MSASAO 2010/02/03	DESCRIPTION REV	GENERAL TOLERANCES (UNLESS SPECIFIED)		DIMENSION STYLE MM ONLY		SCALE ---	DESIGN UNITS METRIC	THIRD ANGLE PROJECTION		
		10 UNDER	± ---	DRAWN BY RTAKEUCHI	DATE 2007/12/26	TITLE 0.4 B-TO-B CONN. HGT=1.0 W=2.6 PLUG WITH TAPE EMBSTP PKG				
		10 OVER 30 UNDER	± ---	CHECKED BY MSASAO	DATE 2007/12/26	MOLEX INCORPORATED				
		30 OVER	± ---	APPROVED BY MSASAO	DATE 2007/12/26	MATERIAL NO. SEE TABLE		DOCUMENT NO. SD-502430-004		SHEET NO. 4 OF 4
ANGULAR ± --- ° DRAFT WHERE APPLICABLE MUST REMAIN WITHIN DIMENSIONS		THIS DRAWING CONTAINS INFORMATION THAT IS PROPRIETARY TO MOLEX INCORPORATED AND SHOULD NOT BE USED WITHOUT WRITTEN PERMISSION								