

**PLEASE CHECK WWW.MOLEX.COM FOR LATEST PART INFORMATION**

**Part Number:** **0520301529**  
**Status:** **Active**  
**Overview:**  
**Description:** 1.00mm (.039") Pitch FFC/FPC Connector, Through-Hole, Vertical, ZIF Receptacle, 15 Circuits, Lead-free

**General**

Product Family FFC/FPC Connectors  
 Series 52030  
 Overview ffc\_fpc\_throughhole  
 Product Name N/A

**Physical**

Circuits (Loaded) 15  
 Contact Position N/A  
 Durability (mating cycles max) 30  
 Entry Angle Vertical  
 Mated Height (in) 0.205 In  
 Mated Height (mm) 5.20 mm  
 Material - Metal Phosphor Bronze  
 Material - Plating Mating Tin-Bismuth  
 Material - Plating Termination Tin-Bismuth  
 Material - Resin Nylon, Polyester  
 Number of Rows 1  
 Orientation Vertical  
 PC Tail Length (in) 0.126 In  
 PC Tail Length (mm) 3.20 mm  
 PCB Retention Yes  
 PCB Thickness Recommended (in) 0.063 In  
 PCB Thickness Recommended (mm) 1.60 mm  
 Packaging Type Tray  
 Pitch - Mating Interface (in) 0.039 In  
 Pitch - Mating Interface (mm) 1.00 mm  
 Polarized to PCB No  
 Stackable No  
 Temperature Range - Operating -20°C to +80°C  
 Termination Interface: Style Through Hole  
 Wire/Cable Type FFC/FPC

**Electrical**

Current - Maximum per Contact 1A  
 Voltage - Maximum 50V

**Material Info**

**Reference - Drawing Numbers**

Product Specification PS-52030-004, RPS-52030-005, RPS-52030-006, RPS-52030-018, RPS-52030-019, RPS-52030-020, RPS-52030-021, RPS-52030-022, RPS-52030-023  
 Sales Drawing SD-52030-017

**EU RoHS**  
**ELV and RoHS**  
**Compliant**  
**REACH SVHC**  
 Not Reviewed  
**Halogen-Free**  
**Status**  
**Not Reviewed**

**China RoHS**

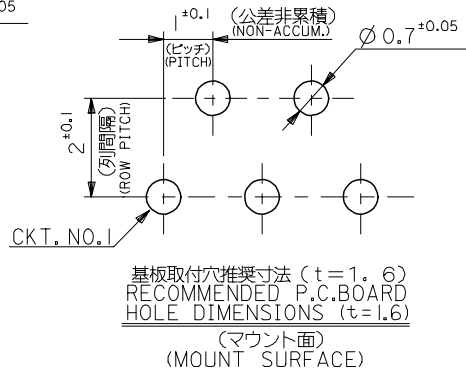
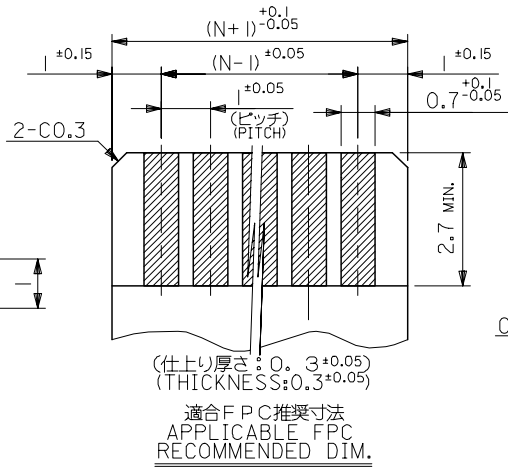
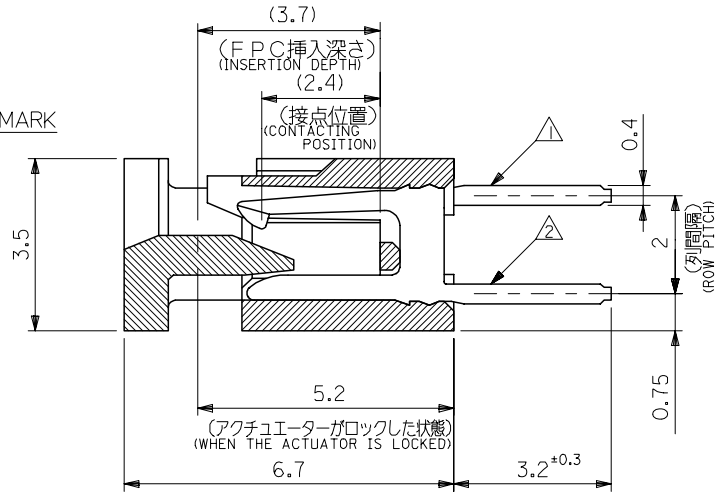
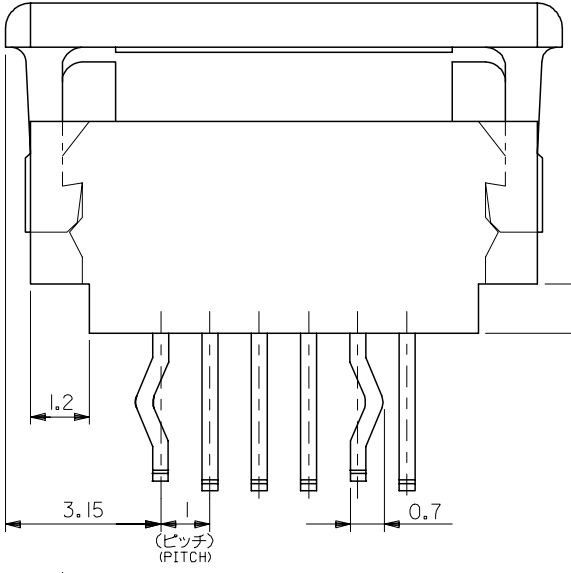
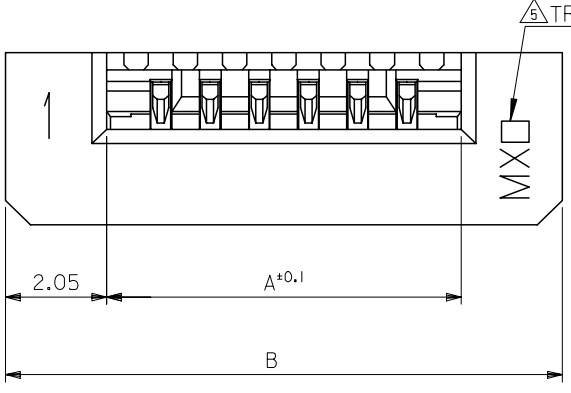


**Need more information on product environmental compliance?**

Email [productcompliance@molex.com](mailto:productcompliance@molex.com)  
 For a multiple part number RoHS Certificate of Compliance, [click here](#)

Please visit the [Contact Us](#) section for any non-product compliance questions.

**Search Parts in this Series**  
 52030Series



TRADE MARK  
MADE IN JAPAN:MXJ  
MADE IN MALAYSIA:MXL

FPCについて:  
打抜き方向は導体側から補強板側を推奨致します。  
補強フィルム材質はポリイミドを推奨致します。  
接着剤は熱硬化接着剤を推奨致します。

ABOUT FPC:  
RECOMMENDED PUNCHER DIRECTION :FORM CONDUCTOR SIDE TO STIFFENER BOARD SIDE.  
RECOMMENDED MATERIAL :  
STIFFENER FILM : POLYIMIDE  
BONDING AGENT : THEROSETTING BONDING AGENT

35.3	31.2	52030-3029	30
34.3	30.2	-2929	29
33.3	29.2	-2829	28
32.3	28.2	-2729	27
31.3	27.2	-2629	26
30.3	26.2	-2529	25
29.3	25.2	-2429	24
28.3	24.2	-2329	23
27.3	23.2	-2229	22
26.3	22.2	-2129	21
25.3	21.2	-2029	20
24.3	20.2	-1929	19
23.3	19.2	-1829	18
22.3	18.2	-1729	17
21.3	17.2	-1629	16
20.3	16.2	-1529	15
19.3	15.2	-1429	14
18.3	14.2	-1329	13
17.3	13.2	-1229	12
16.3	12.2	-1129	11
15.3	11.2	-1029	10
14.3	10.2	-0929	9
13.3	9.2	-0829	8
12.3	8.2	-0729	7
11.3	7.2	-0629	6
10.3	6.2	-0529	5
9.3	5.2	-0429	4
8.3	4.2	52030-0329	3
B	A	MATERIAL NO.	極数 CKT.

注記:  
 △ CKT. NO. 1を基準に偶数番目のソルダーテール。  
 EVEN NUMBER SOLDER TAIL.  
 △ CKT. NO. 1を基準に奇数番目のソルダーテール。  
 ODD NUMBER SOLDER TAIL.  
 3. 材料:  
 MATERIAL:  
 ターミナル: リン青銅, ニッケル下地, 錫ビスマスメッキ (t=0.32)  
 TERMINAL: PHOSPHOR BRONZE, TIN-BISMUTH OVER NICKEL PLATING.(t=0.32)  
 ハウジング: 66ナイロン, UL94V-0  
 HOUSING: 66NYLON, UL94V-0  
 アクチュエーター: ポリエステル, UL94V-0  
 ACTUATOR: POLYESTER, UL94V-0  
 4. 本製品は52030-\*\*\*10の鉛フリー品である。  
 THIS PRODUCT IS LEAD FREE OF 52030-\*\*\*10.

REVISED EC NO: J2008-1613 DRW: A0YAGI 2007/10/30 CHKD: THARUYAMA 2007/10/30 APPR: NUKITA 2007/10/30	DESCRIPTION	GENERAL TOLERANCES (UNLESS SPECIFIED)		DIMENSION STYLE MM ONLY		SCALE 10:1	DESIGN UNIT'S METRIC	THIRD ANGLE PROJECTION	
		10 UNDER	±0.2	DRAWN BY YWADA	DATE '04/03/29	TITLE 1.0 FPC CONN ZIF ST			
		10 OVER 30 UNDER	±0.25	CHECKED BY MSASAO	DATE '04/03/29	-LEAD FREE-			
		30 OVER	±0.3	APPROVED BY MSASAO	DATE '04/03/29	MOLEX INCORPORATED			
	ANGULAR	±3 °	MATERIAL NO. SEE TABLE		DOCUMENT NO. SD-52030-017		SHEET NO. 1 OF 1		
	DRAFT WHERE APPLICABLE MUST REMAIN WITHIN DIMENSIONS			SIZE A3 THIS DRAWING CONTAINS INFORMATION THAT IS PROPRIETARY TO MOLEX INCORPORATED AND SHOULD NOT BE USED WITHOUT WRITTEN PERMISSION					