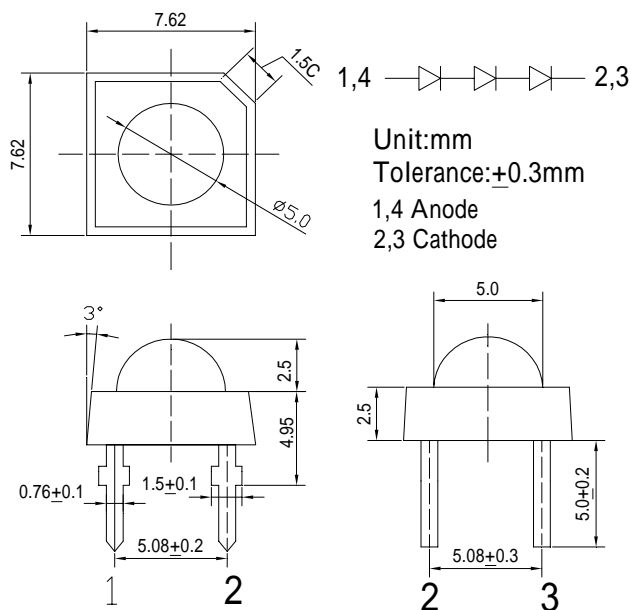


**■Features**

- High Luminous Super Flux Output
- 5 ° Standard Directivity
- Long Lifetime Operation
- Superior Weather-resistance
- UV Resistant Epoxy
- Water Clear Type

**■Applications**

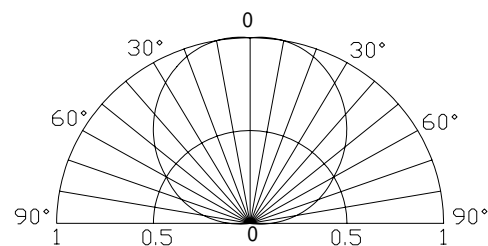
- Automotive Dashboard Lighting
- Small Area Illuminations
- Back Lighting
- Other Lighting

**■Outline Dimension**

**■Absolute Maximum Rating**

(Ta=25 )

| Item                       | Symbol           | Value      | Unit |
|----------------------------|------------------|------------|------|
| DC Forward Current         | I <sub>F</sub>   | 25         | mA   |
| Pulse Forward Current*     | I <sub>FP</sub>  | 100        | mA   |
| Reverse Voltage            | V <sub>R</sub>   | 15         | V    |
| Power Dissipation          | P <sub>D</sub>   | 270        | mW   |
| Operating Temperature      | T <sub>opr</sub> | -30 ~ +85  |      |
| Storage Temperature        | T <sub>stg</sub> | -40 ~ +100 |      |
| Lead Soldering Temperature | T <sub>sol</sub> | 260 /5sec  | -    |

\*Pulse width Max.10ms Duty ratio max 1/10

**■Directivity**

**■Electrical -Optical Characteristics**

(Ta=25 )

| Item                | Symbol            | Condition            | Min. | Typ. | Max. | Unit |
|---------------------|-------------------|----------------------|------|------|------|------|
| DC Forward Voltage  | V <sub>F</sub>    | I <sub>F</sub> =20mA | 8.7  | 9.3  | 10.8 | V    |
| DC Reverse Current  | I <sub>R</sub>    | V <sub>R</sub> =15V  | -    | -    | 10   | μA   |
| Domi. Wavelength*   | λ <sub>D</sub>    | I <sub>F</sub> =20mA | 465  | 470  | 475  | nm   |
| Luminous Intensity* | I <sub>v</sub>    | I <sub>F</sub> =20mA | -    | 2000 | -    | mcd  |
| 50% Power Angle     | 2θ <sub>1/2</sub> | I <sub>F</sub> =20mA | -    | 120  | -    | deg  |

\*1 Tolerance of dominant wavelength ± 1nm

\*2 Tolerance of luminous intensity is ±15%