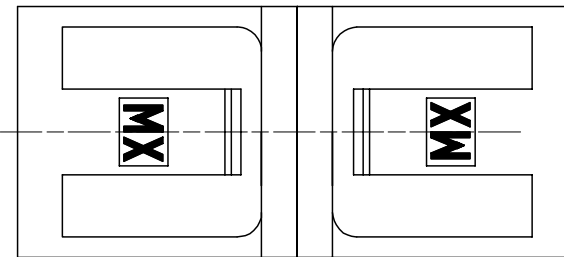
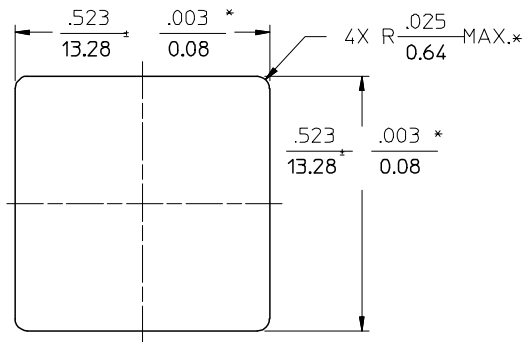
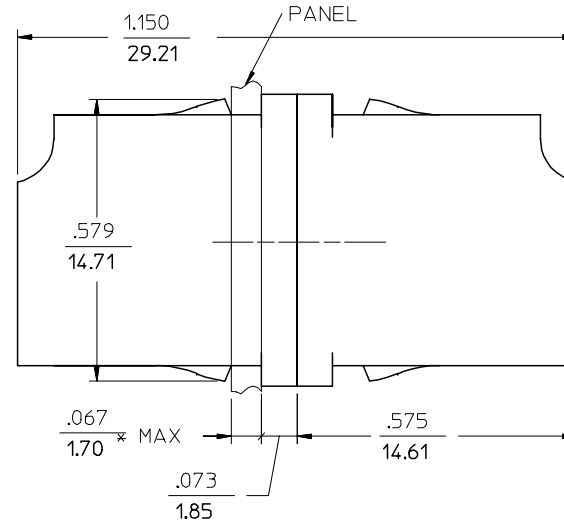
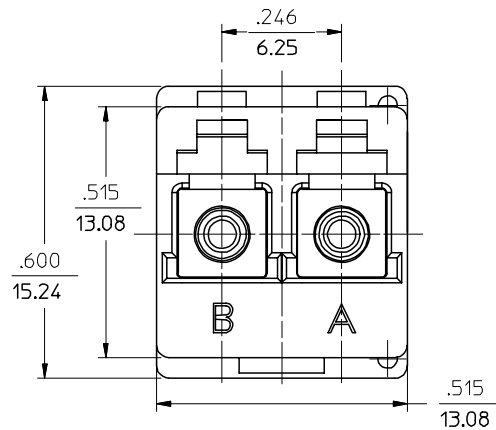


ADAPTER P/N	COLOR	SPLIT SLEEVE MATERIAL
106125-1100	BLUE	ZIRCONIA - ZrO ₂
106125-0110	BEIGE	Ph. Bronze
106125-0111*		
106125-1150	GREEN	ZIRCONIA - ZrO ₂
106125-0100	BLUE	Ph. Bronze
106125-1110	BEIGE	ZIRCONIA - ZrO ₂
106125-0120	AQUA	Ph. Bronze
106125-1170	BLACK	ZIRCONIA - ZrO ₂



(DUST CAPS ARE NOT SHOWN)

RECOMMENDED PANEL CUTOUT

PANEL THICKNESS $\frac{.067}{1.70}$ MAX.

NOTES:

1. ALL DIMENSIONS ARE FOR REFERENCE ONLY. EXCEPT WHEN MARKED WITH (*).

*2. P/N 106125-0111 SHALL BE BULK PACKED IN QUANTITIES OF 100pcs.

ENTER DESCRIPTION	QUALITY SYMBOLS	GENERAL TOLERANCES (UNLESS SPECIFIED)		DIMENSION STYLE		SCALE	DESIGN UNITS	THIRD ANGLE PROJECTION
		mm	INCH	IN/MM	INCH	INCH		
EC NO: MF2006-0292 DRWN:KPEVNER CHKD: 2005/11/01 APPR: IGUMIN 2005/11/02	DESCRIPTION REV	4 PLACES	± ---	± ---	DRAWN BY	DATE	TITLE	LC DUPLEX ADAPTER
		3 PLACES	± ---	± ---	PGIBL IN	2005/10/04		
		2 PLACES	± ---	± ---	CHECKED BY	DATE		
		1 PLACE	± ---	± ---	APPROVED BY	DATE		
		ANGULAR	±1/2°	IGUMIN	2005/10/04			
DRAFT WHERE APPLICABLE MUST REMAIN WITHIN DIMENSIONS		MATERIAL NO.		DOCUMENT NO.		SHEET NO.		
		SEE TABLE		SD-106125-X1X0		1 OF 1		
		SIZE B		THIS DRAWING CONTAINS INFORMATION THAT IS PROPRIETARY TO MOLEX INCORPORATED AND SHOULD NOT BE USED WITHOUT WRITTEN PERMISSION				