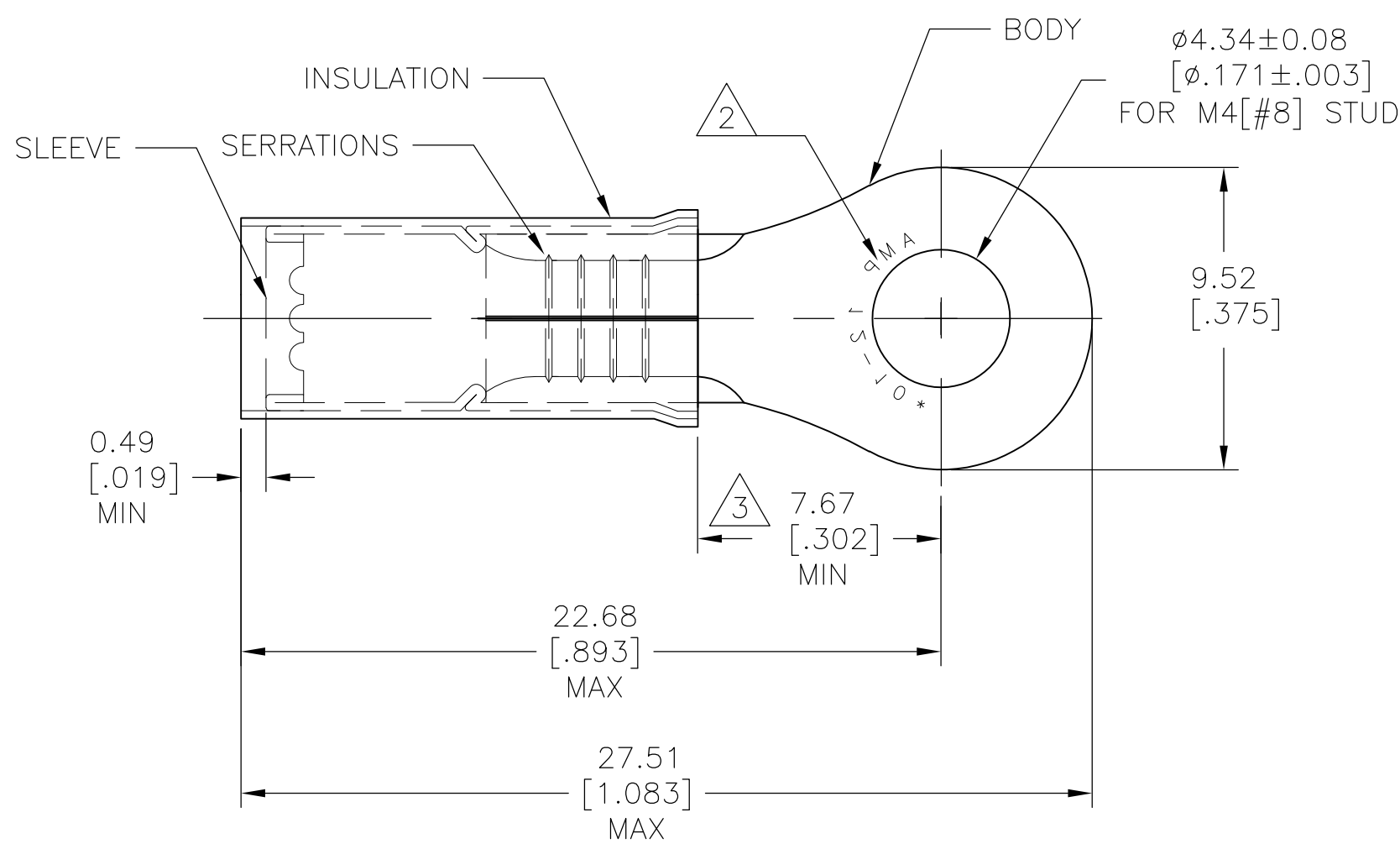


THIS DRAWING IS UNPUBLISHED. RELEASED FOR PUBLICATION
 © COPYRIGHT - By - ALL RIGHTS RESERVED.

LOC	DIST	REVISIONS			
P	LTR	DESCRIPTION	DATE	DWN	APVD
-	-	J2	NEW DRAWING PER ECO-11-019045	02APR12	KH DR

AMP WIRE RANGE	Listed FILE E13288	LR7189 Certified
12-10 AWG SOLID OR STRANDED	12-10 AWG SOLID OR STRANDED	12-10 AWG SOLID OR STRANDED



- 1 ALTERNATE PVC INSULATION MATERIAL FOR FOREIGN SUBSIDIARIES ONLY.
- 2 STAMP AMP 12-10* APPROX AS SHOWN
- 3 DIMENSION APPLIES FROM EDGE OF METAL WIRE BARREL TO CENTER OF STUD HOLE
- 4 FOR WIRE INSULATION DIA: 3.81[.150] TO 6.35[.250]
- 5 TONGUE MATERIAL THK: 1.02±0.05[.040±.002]
- 6 MATERIAL:
BODY&SLEEVE: COPPER PER ASTM B152
INSULATION: NYLON.1
- 7 FINISH:
BODY&SLEEVE: TIN PLATE PER ASTM B545
INSULATION: COLOR-YELLOW

-	100	LOOSE PC, BOX	8-35108-1
-	500	LOOSE PIECE	3-35108-1
MS25036-156 CLASS 2	2500	ON TAPE, REEL	2-35108-1
MS25036-156 CLASS 1&2	500	LOOSE PIECE	35108
MILITARY PART NO& CLASS	QTY	PACKAGE TYPE	PART NO

AMP INCORPORATED CUSTOMER SERVICE SYSTEMS

FOR ADDITIONAL PRODUCT INFORMATION OR COPIES OF DRAWINGS AND TECHNICAL DOCUMENTS	PRODUCT INFORMATION CENTER 1-800-522-6752	RECOMMENDED OPERATING TEMPERATURE: 105°C [221°F]
FOR APPLICATION TOOLING INFORMATION	TOOLING ASSISTANCE CENTER 1-800-722-1111	VOLTAGE RATING: 300V MAX
FOR ORDER ENTRY	1-800-526-5142	WIRE CROSS SECTIONAL AREA RANGE: 2.62-6.64mm ² [5,180-13,100] SOLID OR STRANDED

THIS DRAWING IS A CONTROLLED DOCUMENT.

DIMENSIONS: mm [INCHES]	TOLERANCES UNLESS OTHERWISE SPECIFIED:
	0 PLC ± -
	1 PLC ± -
	2 PLC ± 0.20[.008]
	3 PLC ± -
	4 PLC ± -
	ANGLES ± 5°
MATERIAL	FINISH
6	7

DWN KIRAN HOLAL 02APR12	TE Connectivity	NAME		
CHK ROHDE DANIEL 02APR12		WIRE TERMINAL P.I.D.G RING TONGUE WIRE SIZE: 12-10		
APVD ROHDE DANIEL 02APR12		SIZE	CAGE CODE	DRAWING NO
PRODUCT SPEC		A3	00779	C-35108
APPLICATION SPEC	RESTRICTED TO			
WEIGHT	CUSTOMER DRAWING		SCALE 5:1	
	SHEET 1 OF 1		REV J2	