



Hermetically Sealed BNC Female to BNC Female Bulkhead Adapter For 1 inch Max. Panel

TECHNICAL DATA SHEET

PE9420

Hermetically Sealed BNC Female to BNC Female Bulkhead Adapter For 1 inch Max. Panel

Configuration

Connector 1	BNC Female
Impedance 1	50 Ohms
Connector 2	BNC Female
Impedance 2	50 Ohms
Adapter Design	Standard
Body Style	Straight
Mount Method	Bulkhead
Isolated Ground / Hermetic	Hermetically Sealed

Mechanical Specifications

Size

Length, in [mm]	2.282 [57.96]
Width/Dia., in [mm]	0.687 [17.45]

Connector 1

Type	BNC Female
Inner Conductor Material and Plating	Silver
Body Material and Plating	Brass, Nickel
Dielectric Type	PTFE

Connector 2

Type	BNC Female
Inner Conductor Material and Plating	Silver
Body Material and Plating	Brass, Nickel
Dielectric Type	PTFE

Compliance Certifications (visit www.Pasternack.com for current document)

RoHS Compliant	Yes
----------------	-----

Plotted and Other Data

Notes:	Values at 25 °C, sea level
--------	----------------------------

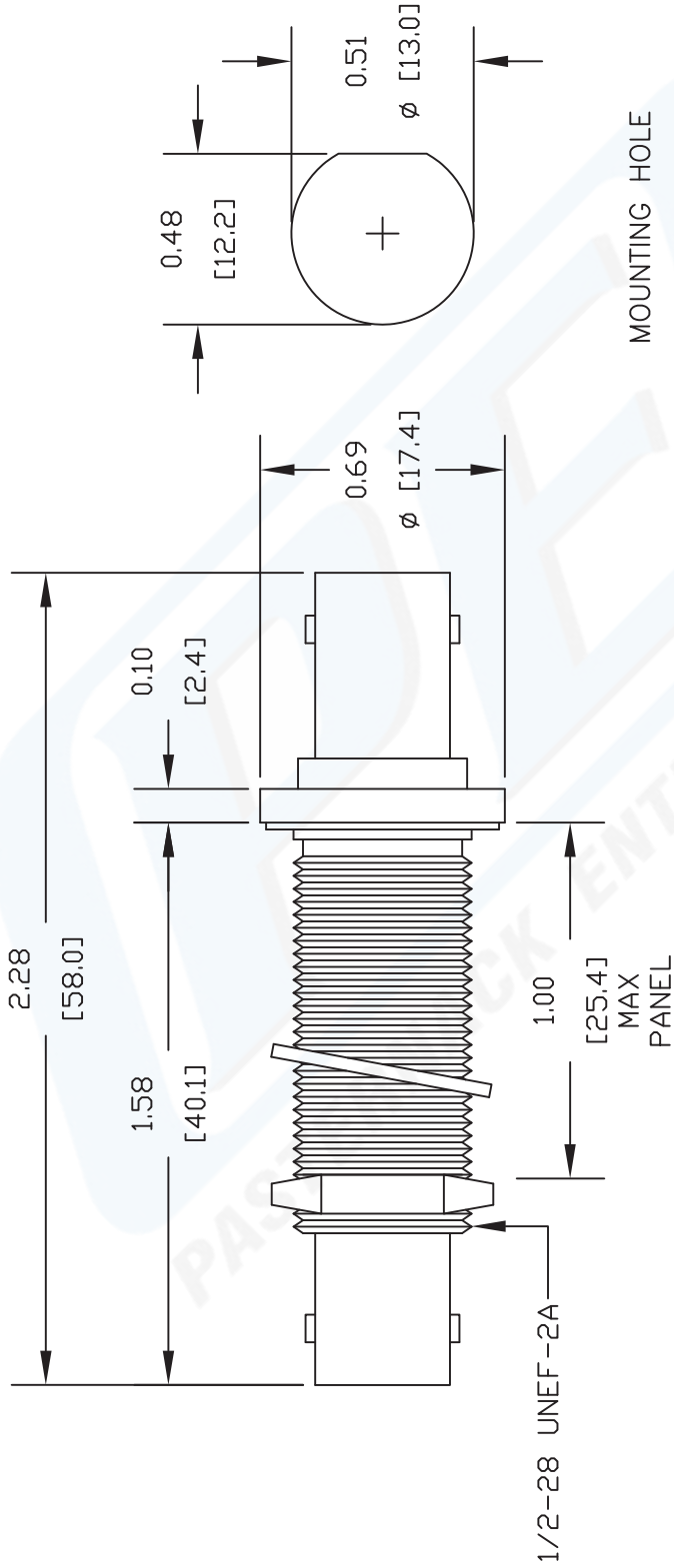
URL: <http://www.pasternack.com/bnc-female-bnc-female-straight-adapter-pe9420-p.aspx>

Hermetically Sealed BNC Female to BNC Female Bulkhead Adapter For 1 inch Max. Panel from Pasternack Enterprises has same day shipment for domestic and International orders. Our RF, microwave and fiber optic products maintain a 99% availability and are part of the broadest selection in the industry.

The information contained in this document is accurate to the best of our knowledge and representative of the part described herein. It may be necessary to make modifications to the part and/or the documentation of the part, in order to implement improvements. Pasternack reserves the right to make such changes as required. Unless otherwise stated, all specifications are nominal.

PE9420 CAD Drawing

Hermetically Sealed BNC Female to BNC Female Bulkhead Adapter For 1 inch Max. Panel



NOTES:
 1. UNLESS OTHERWISE SPECIFIED ALL DIMENSIONS ARE NOMINAL.
 2. ALL SPECIFICATIONS ARE SUBJECT TO CHANGE WITHOUT NOTICE AT ANY TIME.
 3. DIMENSIONS ARE IN INCHES [mm].

DWG TITLE
PE9420

PASTERNAK ENTERPRISES, INC.
 P O BOX 16759, IRVINE, CA 92623
 PHONE (949) 261-1920 FAX (949) 261-7451
 WEB ADDRESS: www.pasternack.com
 E-MAIL ADDRESS: sales@pasternack.com
COAXIAL & FIBER OPTICS



REV. A	FSCM NO. 53919	CAD FILE 042110	SCALE N/A	SIZE A	127
--------	----------------	-----------------	-----------	--------	-----