

## General Description

The MAX17501 high-efficiency, high-voltage, synchronous step-down DC-DC converter with integrated MOSFETs operates over a 4.5V to 60V input voltage range. It delivers output currents up to 500mA at output voltages of 0.9V to 92% $V_{IN}$ . The output voltage is accurate to within  $\pm 1.7\%$  over  $-40^{\circ}\text{C}$  to  $+125^{\circ}\text{C}$ . The MAX17501 is available in a compact TDFN package. Simulation models are available.

The device features peak-current-mode control with pulse-width modulation (PWM). Users can choose devices with either pulse frequency modulation (PFM) or forced PWM scheme. PFM devices skip pulses at light load for higher efficiency, while forced-PWM devices operate with fixed switching frequency at any load for noise sensitive-applications. The low-resistance, on-chip MOSFETs ensure high efficiency at full load and simplify the layout.

A programmable soft-start feature allows users to reduce input inrush current. The device also incorporates an output enable/undervoltage lockout pin (EN/UVLO) that allows the user to turn on the part at the desired input-voltage level. An open-drain  $\overline{\text{RESET}}$  pin provides a delayed power-good signal to the system upon achieving successful regulation of the output voltage.

## Applications

- Industrial Process Control
- HVAC and Building Control
- Base Station, VOIP, Telecom
- Home Theatre
- Automotive
- Battery-Powered Equipment
- General-Purpose Point-of-Load

## Benefits and Features

- Eliminates External Components and Reduce Total Cost
  - No Schottky-Synchronous Operation for High Efficiency and Reduced Cost
  - Internal Compensation and Feedback Divider for 3.3V and 5V Outputs
  - All-Ceramic Capacitors, Ultra-Compact Layout
- Reduces Number of DC-DC Regulators to Stock
  - Wide 4.5V to 60V Input Voltage Range
  - 0.9V to 92% $V_{IN}$  Output Voltage
  - Delivers up to 500mA
  - 600kHz and 300kHz Switching Frequency Options
  - Available in a 10-Pin, 3mm x 2mm TDFN Package
- Reduces Power Dissipation
  - Peak Efficiency > 90%
  - PFM Feature for High Light-Load Efficiency
  - Shutdown Current = 0.9 $\mu\text{A}$  (typ)
- Operates Reliably in Adverse Industrial Environments
  - Hiccup-Mode Current Limit, Sink Current Limit, and Autoretry Startup
  - Built-In Output-Voltage Monitoring (Open-Drain  $\overline{\text{RESET}}$  Pin)
  - Resistor-Programmable EN/UVLO Threshold
  - Adjustable Soft-Start and Prebiased Power-Up
  - $-40^{\circ}\text{C}$  to  $+125^{\circ}\text{C}$  Industrial Temperature Range

**Ordering Information** appears at end of data sheet.

For related parts and recommended products to use with this part, refer to [www.maximintegrated.com/MAX17501.related](http://www.maximintegrated.com/MAX17501.related).

### Absolute Maximum Ratings

$V_{IN}$ to GND.....	-0.3V to +70V	Continuous Power Dissipation ( $T_A = +70^\circ\text{C}$ ) (derate 14.9mW/°C above +70°C) (multilayer board). 1188.7mW Operating Temperature Range..... -40°C to +125°C Junction Temperature..... +150°C Storage Temperature Range..... -65°C to +160°C Lead Temperature (soldering, 10s)..... +300°C Soldering Temperature (reflow)..... +260°C
EN/UVLO to GND.....	-0.3V to ( $V_{IN} + 0.3\text{V}$ )	
LX to PGND.....	-0.3V to ( $V_{IN} + 0.3\text{V}$ )	
FB, RESET, COMP, SS to GND .....	-0.3V to +6V	
$V_{CC}$ to GND.....	-0.3V to +6V	
GND to PGND.....	-0.3V to +0.3V	
LX Total RMS Current.....	$\pm 1.6\text{A}$	
Output Short-Circuit Duration.....	Continuous	

Stresses beyond those listed under "Absolute Maximum Ratings" may cause permanent damage to the device. These are stress ratings only, and functional operation of the device at these or any other conditions beyond those indicated in the operational sections of the specifications is not implied. Exposure to absolute maximum rating conditions for extended periods may affect device reliability.

### Package Thermal Characteristics (Note 1)

TDFN

Junction-to-Ambient Thermal Resistance ( $\theta_{JA}$ ) .....	67.3°C/W
Junction-to-Case Thermal Resistance ( $\theta_{JC}$ ) .....	18.2°C/W

**Note 1:** Package thermal resistances were obtained using the method described in JEDEC specification JESD51-7, using a four-layer board. For detailed information on package thermal considerations, refer to [www.maximintegrated.com/thermal-tutorial](http://www.maximintegrated.com/thermal-tutorial).

### Electrical Characteristics

( $V_{IN} = 24\text{V}$ ,  $V_{GND} = V_{PGND} = 0\text{V}$ ,  $C_{VIN} = C_{VCC} = 1\mu\text{F}$ ,  $V_{EN} = 1.5\text{V}$ ,  $C_{SS} = 3300\text{pF}$ ,  $V_{FB} = 0.98 \times V_{OUT}$ , LX = unconnected, RESET = unconnected.  $T_A = T_J = -40^\circ\text{C}$  to  $+125^\circ\text{C}$ , unless otherwise noted. Typical values are at  $T_A = +25^\circ\text{C}$ . All voltages are referenced to GND, unless otherwise noted.) (Note 2)

PARAMETER	SYMBOL	CONDITIONS	MIN	TYP	MAX	UNITS
<b>INPUT SUPPLY (<math>V_{IN}</math>)</b>						
Input Voltage Range	$V_{IN}$		4.5		60	V
Input Supply Current	$I_{IN-SH}$	$V_{EN} = 0\text{V}$ , shutdown mode		0.9	3.5	$\mu\text{A}$
	$I_{IN-HIBERNATE}$	$V_{FB} = 1.03 \times V_{OUT}$ , MAX17501A/B		90	145	
	$I_{IN-SW}$	Normal switching mode, no load	MAX17501E/F/G MAX17501H	4.75	6.75	mA
			2.5	3.6		
<b>ENABLE/UVLO (EN/UVLO)</b>						
EN Threshold	$V_{ENR}$	$V_{EN}$ rising	1.194	1.218	1.236	V
	$V_{ENF}$	$V_{EN}$ falling	1.114	1.135	1.156	
	$V_{EN-TRUESD}$	$V_{EN}$ falling, true shutdown		0.7		
EN Input Leakage Current	$I_{EN}$	$V_{EN} = V_{IN} = 60\text{V}$ , $T_A = +25^\circ\text{C}$		8	200	nA
<b>LDO</b>						
$V_{CC}$ Output Voltage Range	$V_{CC}$	$6\text{V} < V_{IN} < 12\text{V}$ , $0\text{mA} < I_{VCC} < 10\text{mA}$ , $12\text{V} < V_{IN} < 60\text{V}$ , $0\text{mA} < I_{VCC} < 2\text{mA}$	4.65	5	5.35	V
$V_{CC}$ Current Limit	$I_{VCC-MAX}$	$V_{CC} = 4.3\text{V}$ , $V_{IN} = 12\text{V}$	15	40	80	mA
$V_{CC}$ Dropout	$V_{CC-DO}$	$V_{IN} = 4.5\text{V}$ , $I_{VCC} = 5\text{mA}$	4.1			V
$V_{CC}$ UVLO	$V_{CC-UVR}$	$V_{CC}$ rising	3.85	4	4.15	V
	$V_{CC-UVF}$	$V_{CC}$ falling	3.55	3.7	3.85	

**Electrical Characteristics (continued)**

( $V_{IN} = 24V$ ,  $V_{GND} = V_{PGND} = 0V$ ,  $C_{VIN} = C_{VCC} = 1\mu F$ ,  $V_{EN} = 1.5V$ ,  $C_{SS} = 3300pF$ ,  $V_{FB} = 0.98 \times V_{OUT}$ , LX = unconnected,  $\overline{RESET}$  = unconnected.  $T_A = T_J = -40^\circ C$  to  $+125^\circ C$ , unless otherwise noted. Typical values are at  $T_A = +25^\circ C$ . All voltages are referenced to GND, unless otherwise noted.) (Note 2)

PARAMETER	SYMBOL	CONDITIONS		MIN	TYP	MAX	UNITS
<b>POWER MOSFETs</b>							
High-Side pMOS On-Resistance	$R_{DS-ONH}$	$I_{LX} = 0.5A$ (sourcing)	$T_A = +25^\circ C$	0.55	0.85		$\Omega$
			$T_A = T_J = +125^\circ C$ (Note 3)		1.2		
Low-Side nMOS On-Resistance	$R_{DS-ONL}$	$I_{LX} = 0.5A$ (sinking)	$T_A = +25^\circ C$	0.2	0.35		$\Omega$
			$T_A = T_J = +125^\circ C$ (Note 3)		0.47		
LX Leakage Current	$I_{LX\_LKG}$	$V_{EN} = 0V$ , $T_A = +25^\circ C$ , $V_{LX} = (V_{PGND} + 1V)$ to $(V_{IN} - 1V)$				1	$\mu A$
<b>SOFT-START (SS)</b>							
Charging Current	$I_{SS}$	$V_{SS} = 0.5V$		4.7	5	5.3	$\mu A$
<b>FEEDBACK (FB/VO)</b>							
FB Regulation Voltage	$V_{FB\_REG}$	MAX17501G/H		0.884	0.9	0.916	V
FB Input Bias Current	$I_{FB}$	$T_A = +25^\circ C$	MAX17501A/E, $V_{FB} = 3.3V$	6.8	12	17	$\mu A$
			MAX17501B/F, $V_{FB} = 5V$	6.8	12	17	
			MAX17501G/H, $V_{FB} = 0.9V$			100	nA
<b>OUTPUT VOLTAGE (<math>V_{OUT}</math>)</b>							
Output Voltage Range	$V_{OUT}$	MAX17501A/E		3.248	3.3	3.352	V
		MAX17501B/F		4.922	5	5.08	
		MAX17501G		0.9		$0.92 \times V_{IN}$	
		MAX17501H		0.9		$0.965 \times V_{IN}$	
$V_{OUT}$ Threshold for Entering Hibernate Mode	$V_{FB\_HBR}$	$V_{FB}$ rising, MAX17501A/B			103.3		%
$V_{OUT}$ Threshold for Exiting Hibernate Mode	$V_{FB\_HBF}$	$V_{FB}$ falling, MAX17501A/B			101.3		%
<b>TRANSCONDUCTANCE AMPLIFIER (COMP)</b>							
Transconductance	$G_M$	$I_{COMP} = \pm 2.5\mu A$ , MAX17501G/H		510	590	650	$\mu S$
COMP Source Current	$I_{COMP\_SRC}$	MAX17501G/H		19	32	55	$\mu A$
COMP Sink Current	$I_{COMP\_SINK}$	MAX17501G/H		19	32	55	$\mu A$
Current-Sense Transresistance	$R_{CS}$	MAX17501G/H		0.9	1	1.1	V/A

# MAX17501

# 60V, 500mA, Ultra-Small, High-Efficiency, Synchronous Step-Down DC-DC Converter

## Electrical Characteristics (continued)

( $V_{IN} = 24V$ ,  $V_{GND} = V_{PGND} = 0V$ ,  $C_{VIN} = C_{VCC} = 1\mu F$ ,  $V_{EN} = 1.5V$ ,  $C_{SS} = 3300pF$ ,  $V_{FB} = 0.98 \times V_{OUT}$ , LX = unconnected,  $\overline{RESET}$  = unconnected.  $T_A = T_J = -40^\circ C$  to  $+125^\circ C$ , unless otherwise noted. Typical values are at  $T_A = +25^\circ C$ . All voltages are referenced to GND, unless otherwise noted.) (Note 2)

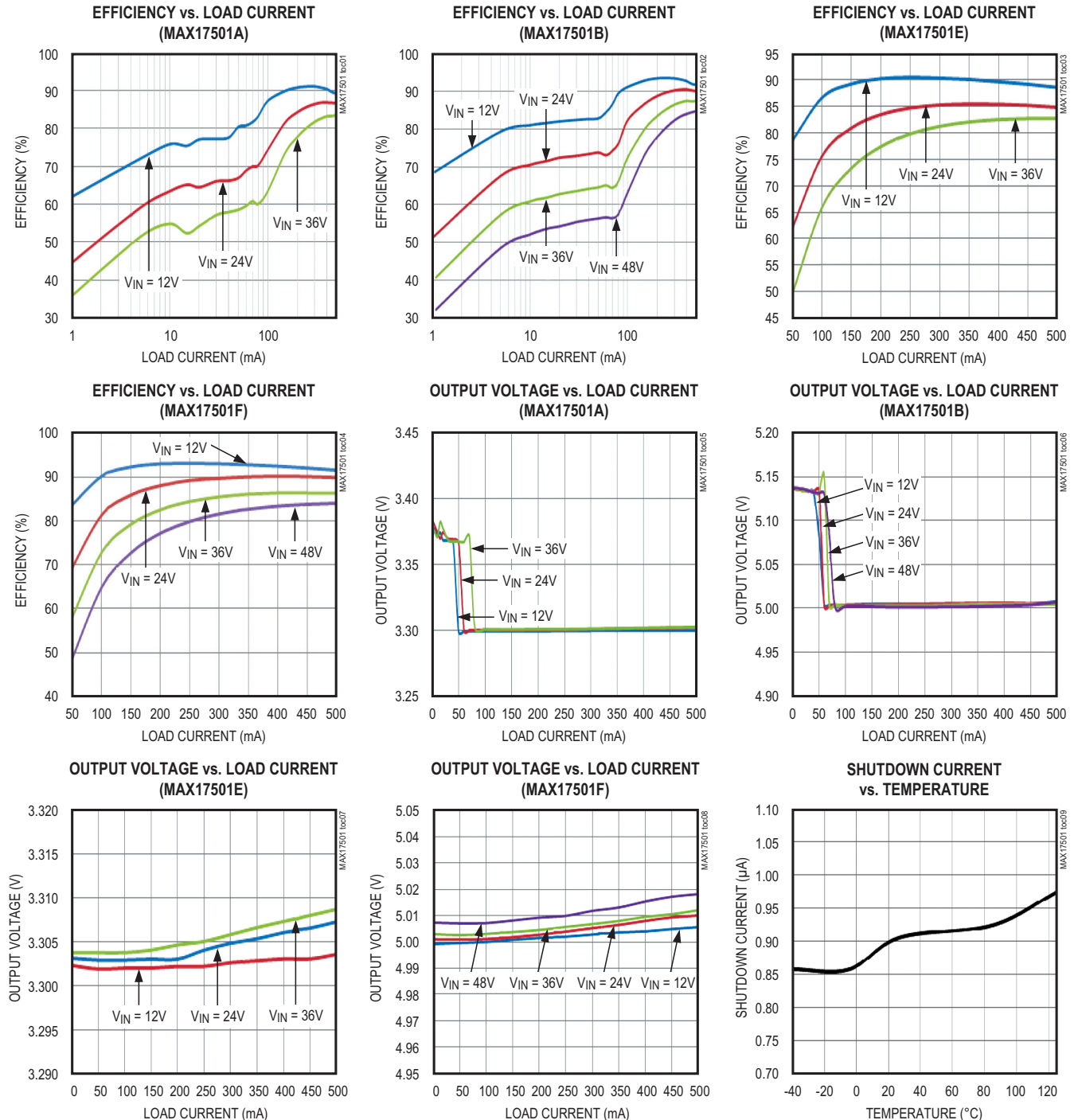
PARAMETER	SYMBOL	CONDITIONS	MIN	TYP	MAX	UNITS	
<b>CURRENT LIMIT</b>							
Peak Current-Limit Threshold	$I_{PEAK-LIMIT}$		0.64	0.76	0.86	A	
Runaway Current-Limit Threshold	$I_{RUNAWAY-LIMIT}$		0.65	0.78	0.905	A	
Sink Current-Limit Threshold	$I_{SINK-LIMIT}$	MAX17501A/B		0.03		A	
		MAX17501E/F/G/H	0.3	0.35	0.4		
PFM Current-Limit Threshold	$I_{PFM}$	MAX17501A/B		0.125		A	
<b>TIMINGS</b>							
Switching Frequency	$f_{SW}$	$V_{FB} > V_{OUT-}$	MAX17501A/B/E/F/G	560	600	640	kHz
		HICF	MAX17501H	280	300	320	
		$V_{FB} < V_{OUT-HICF}$		280	300	320	
Events to Hiccup after Crossing Runaway Current Limit				1		Event	
$V_{OUT}$ Undervoltage Trip Level to Cause Hiccup	$V_{OUT-HICF}$	$V_{SS} > 0.95V$ (soft-start is done)	69.14	71.14	73.14	%	
HICCUP Timeout				32,768		Cycles	
Minimum On-Time	$t_{ON\_MIN}$			75	120	ns	
Maximum Duty Cycle	$D_{MAX}$	$V_{FB} = 0.98 \times V_{FB-REG}$	MAX17501A/B/E/F/G	92	94	96	%
			MAX17501H	96.5	97.5	98.5	
LX Dead Time				5		ns	
<b>RESET</b>							
$\overline{RESET}$ Output Level Low		$I_{RESET} = 1mA$			0.02	V	
$\overline{RESET}$ Output Leakage Current High		$V_{FB} = 1.01 \times V_{FB-REG}$ , $T_A = +25^\circ C$			0.45	$\mu A$	
$V_{OUT}$ Threshold for $\overline{RESET}$ Falling	$V_{OUT-OKF}$	$V_{FB}$ falling	90.5	92.5	94.5	%	
$V_{OUT}$ Threshold for $\overline{RESET}$ Rising	$V_{OUT-OKR}$	$V_{FB}$ rising	93.5	95.5	97.5	%	
$\overline{RESET}$ Delay After FB Reaches 95% Regulation		$V_{FB}$ rising		1024		Cycles	
<b>THERMAL SHUTDOWN</b>							
Thermal-Shutdown Threshold		Temperature rising		165		$^\circ C$	
Thermal-Shutdown Hysteresis				10		$^\circ C$	

**Note 2:** All limits are 100% tested at  $+25^\circ C$ . Limits over temperature are guaranteed by design.

**Note 3:** Guaranteed by design, not production tested.

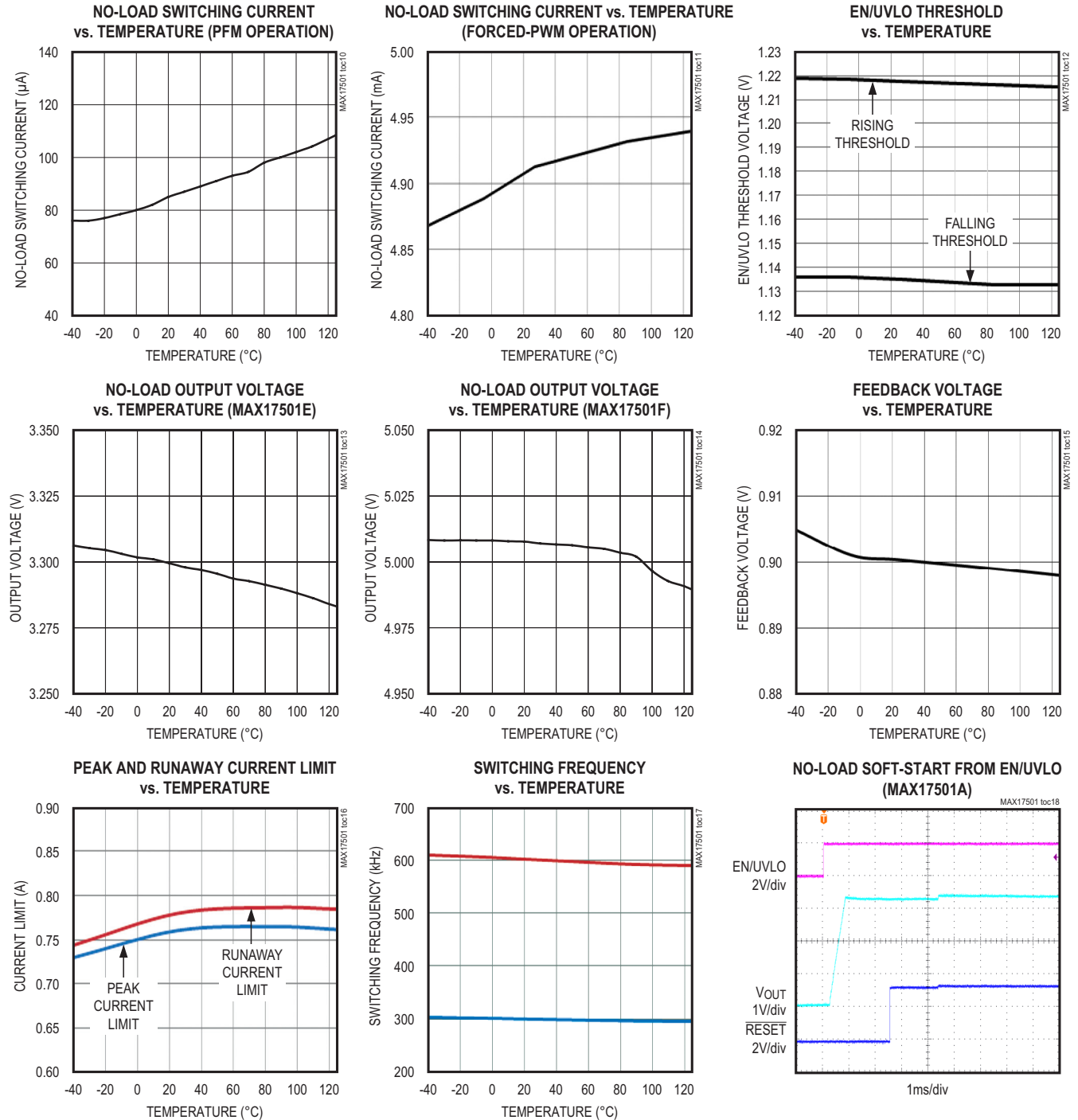
Typical Operating Characteristics

( $V_{IN} = 24V$ ,  $V_{GND} = V_{PGND} = 0V$ ,  $C_{VIN} = C_{VCC} = 1\mu F$ ,  $V_{EN} = 1.5V$ ,  $C_{SS} = 3300pF$ ,  $V_{FB} = 0.98 \times V_{OUT}$ , LX = unconnected,  $\overline{RESET}$  = unconnected,  $T_A = T_J = -40^\circ C$  to  $+125^\circ C$ , unless otherwise noted. Typical values are at  $T_A = +25^\circ C$ . All voltages are referenced to GND, unless otherwise noted.)



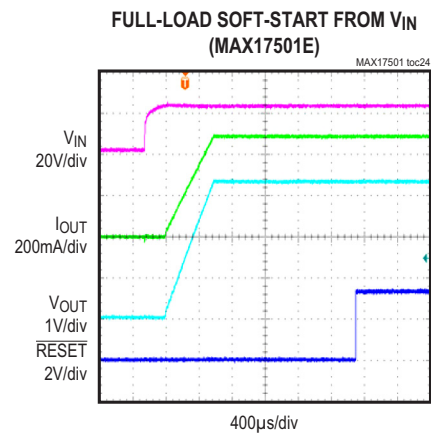
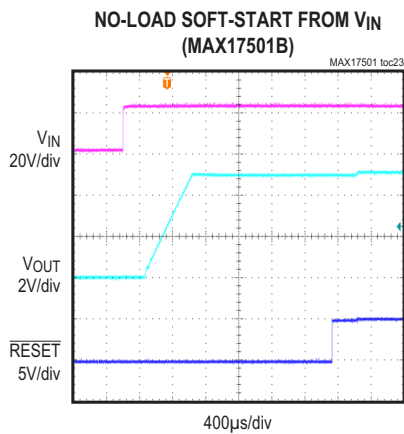
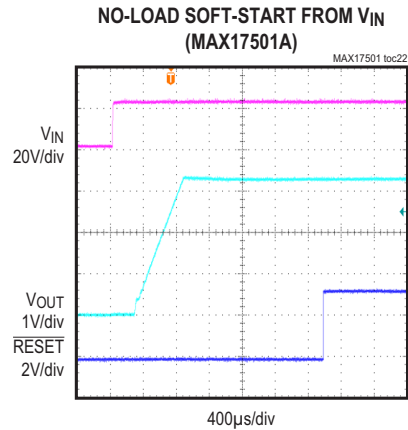
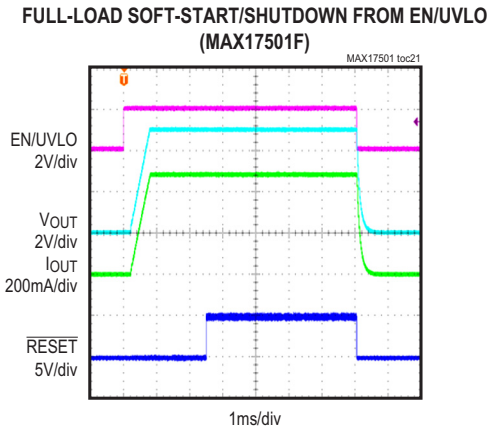
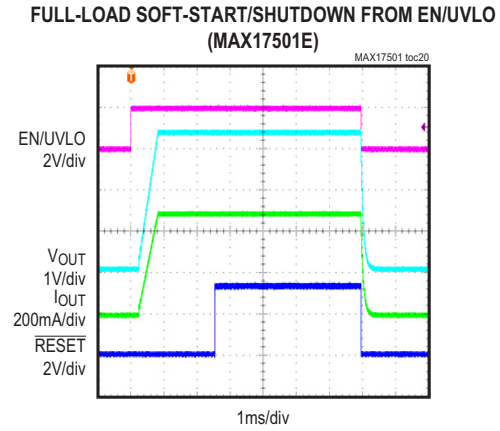
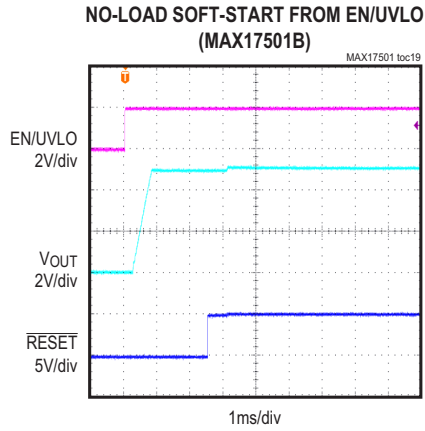
Typical Operating Characteristics (continued)

( $V_{IN} = 24V$ ,  $V_{GND} = V_{PGND} = 0V$ ,  $C_{VIN} = C_{VCC} = 1\mu F$ ,  $V_{EN} = 1.5V$ ,  $C_{SS} = 3300pF$ ,  $V_{FB} = 0.98 \times V_{OUT}$ , LX = unconnected,  $\overline{RESET}$  = unconnected,  $T_A = T_J = -40^\circ C$  to  $+125^\circ C$ , unless otherwise noted. Typical values are at  $T_A = +25^\circ C$ . All voltages are referenced to GND, unless otherwise noted.)



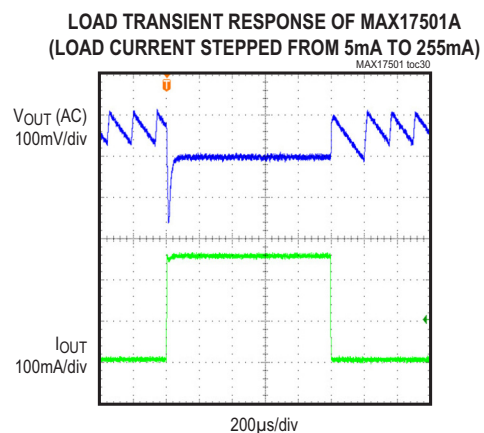
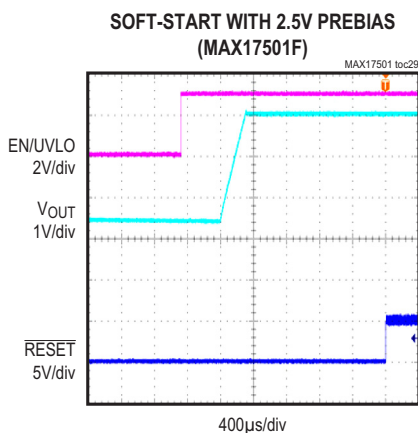
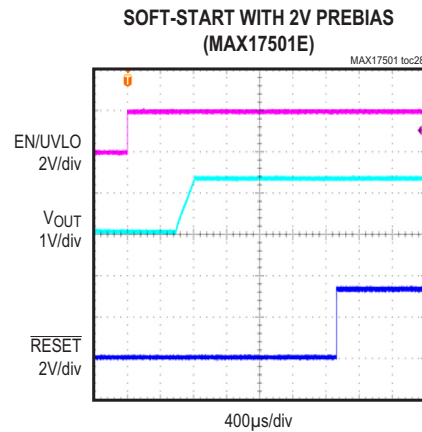
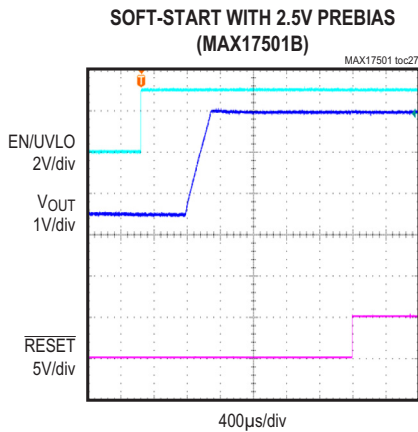
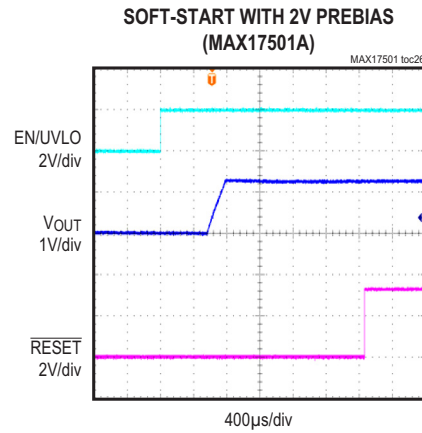
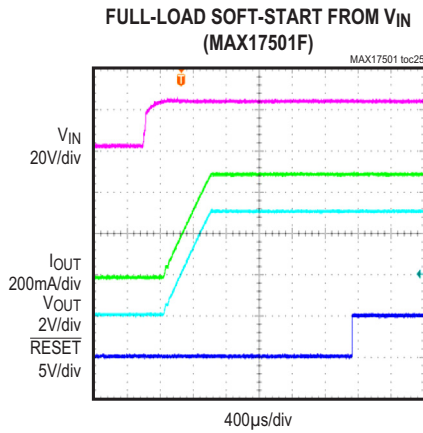
Typical Operating Characteristics (continued)

( $V_{IN} = 24V$ ,  $V_{GND} = V_{PGND} = 0V$ ,  $C_{VIN} = C_{VCC} = 1\mu F$ ,  $V_{EN} = 1.5V$ ,  $C_{SS} = 3300pF$ ,  $V_{FB} = 0.98 \times V_{OUT}$ , LX = unconnected,  $\overline{RESET}$  = unconnected,  $T_A = T_J = -40^\circ C$  to  $+125^\circ C$ , unless otherwise noted. Typical values are at  $T_A = +25^\circ C$ . All voltages are referenced to GND, unless otherwise noted.)



Typical Operating Characteristics (continued)

( $V_{IN} = 24V$ ,  $V_{GND} = V_{PGND} = 0V$ ,  $C_{VIN} = C_{VCC} = 1\mu F$ ,  $V_{EN} = 1.5V$ ,  $C_{SS} = 3300pF$ ,  $V_{FB} = 0.98 \times V_{OUT}$ , LX = unconnected,  $\overline{RESET}$  = unconnected,  $T_A = T_J = -40^\circ C$  to  $+125^\circ C$ , unless otherwise noted. Typical values are at  $T_A = +25^\circ C$ . All voltages are referenced to GND, unless otherwise noted.)

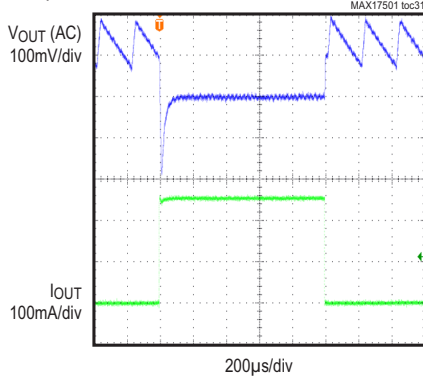




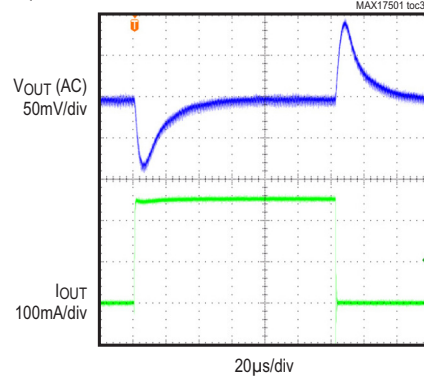
Typical Operating Characteristics (continued)

( $V_{IN} = 24V$ ,  $V_{GND} = V_{PGND} = 0V$ ,  $C_{VIN} = C_{VCC} = 1\mu F$ ,  $V_{EN} = 1.5V$ ,  $C_{SS} = 3300pF$ ,  $V_{FB} = 0.98 \times V_{OUT}$ , LX = unconnected,  $\overline{RESET}$  = unconnected,  $T_A = T_J = -40^\circ C$  to  $+125^\circ C$ , unless otherwise noted. Typical values are at  $T_A = +25^\circ C$ . All voltages are referenced to GND, unless otherwise noted.)

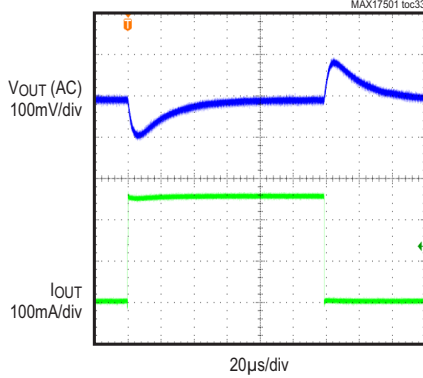
LOAD TRANSIENT RESPONSE OF MAX17501B  
(LOAD CURRENT STEPPED FROM 5mA TO 255mA)



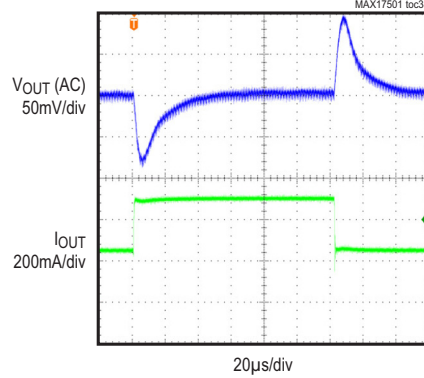
LOAD TRANSIENT RESPONSE OF MAX17501E  
(LOAD CURRENT STEPPED FROM NO-LOAD TO 250mA)



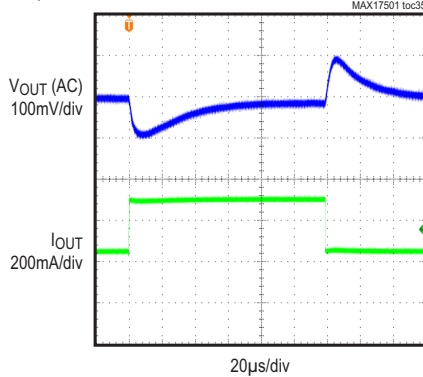
LOAD TRANSIENT RESPONSE OF MAX17501F  
(LOAD CURRENT STEPPED FROM NO-LOAD TO 250mA)



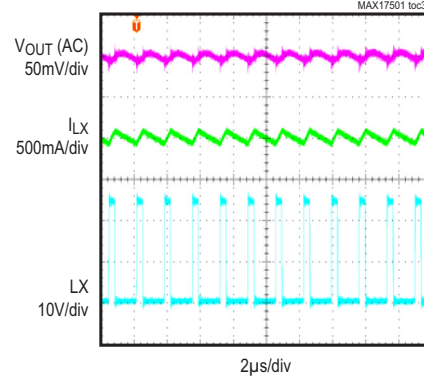
LOAD TRANSIENT RESPONSE OF MAX17501E  
(LOAD CURRENT STEPPED FROM 250mA TO 500mA)



LOAD TRANSIENT RESPONSE OF MAX17501F  
(LOAD CURRENT STEPPED FROM 250mA TO 500mA)



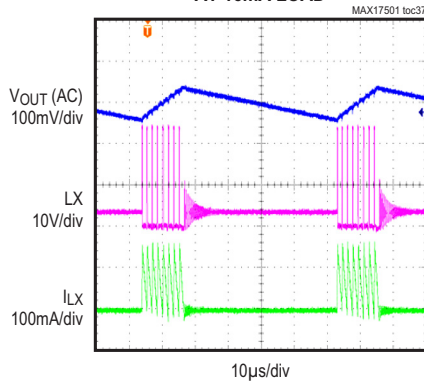
SWITCHING WAVEFORMS OF MAX17501F  
AT 500mA LOAD



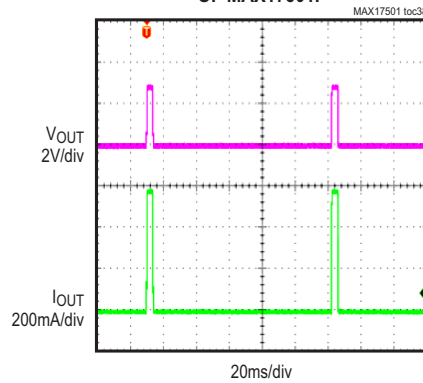
Typical Operating Characteristics (continued)

( $V_{IN} = 24V$ ,  $V_{GND} = V_{PGND} = 0V$ ,  $C_{VIN} = C_{VCC} = 1\mu F$ ,  $V_{EN} = 1.5V$ ,  $C_{SS} = 3300pF$ ,  $V_{FB} = 0.98 \times V_{OUT}$ , LX = unconnected,  $\overline{RESET}$  = unconnected,  $T_A = T_J = -40^\circ C$  to  $+125^\circ C$ , unless otherwise noted. Typical values are at  $T_A = +25^\circ C$ . All voltages are referenced to GND, unless otherwise noted.)

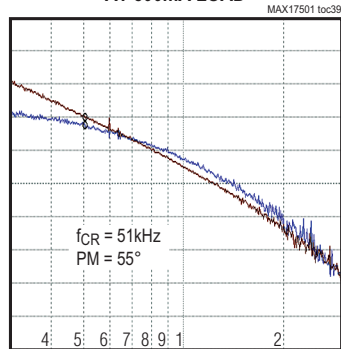
SWITCHING WAVEFORMS OF MAX17501A AT 15mA LOAD



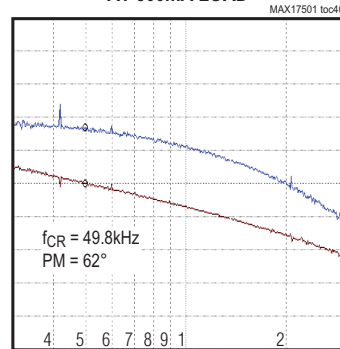
OUTPUT OVERLOAD PROTECTION OF MAX17501F



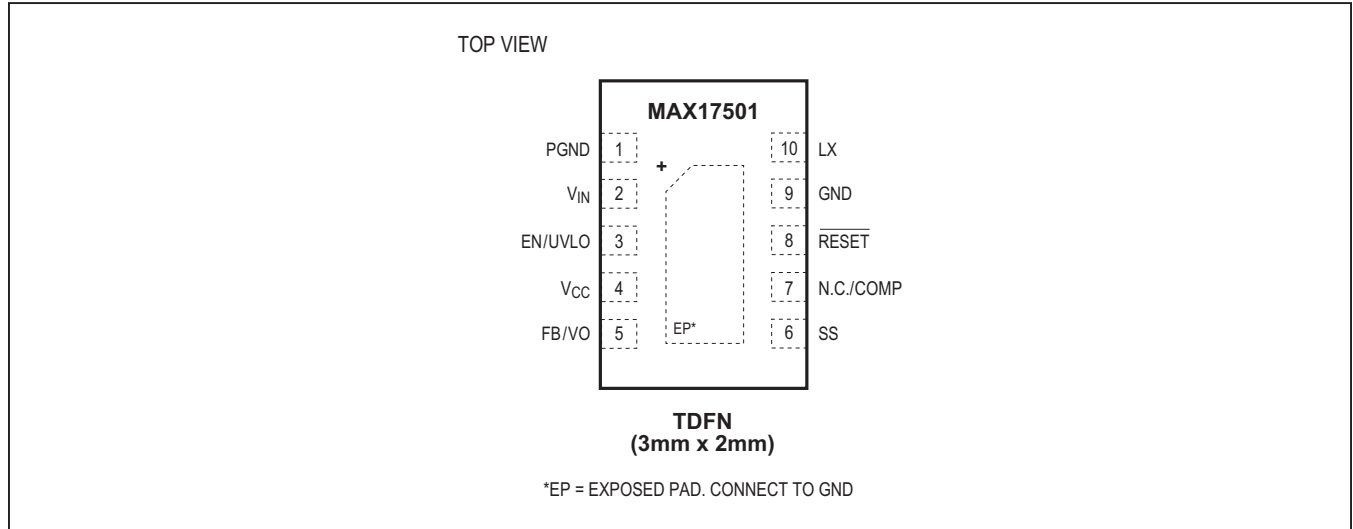
BODE PLOT OF MAX17501E AT 500mA LOAD



BODE PLOT OF MAX17501F AT 500mA LOAD



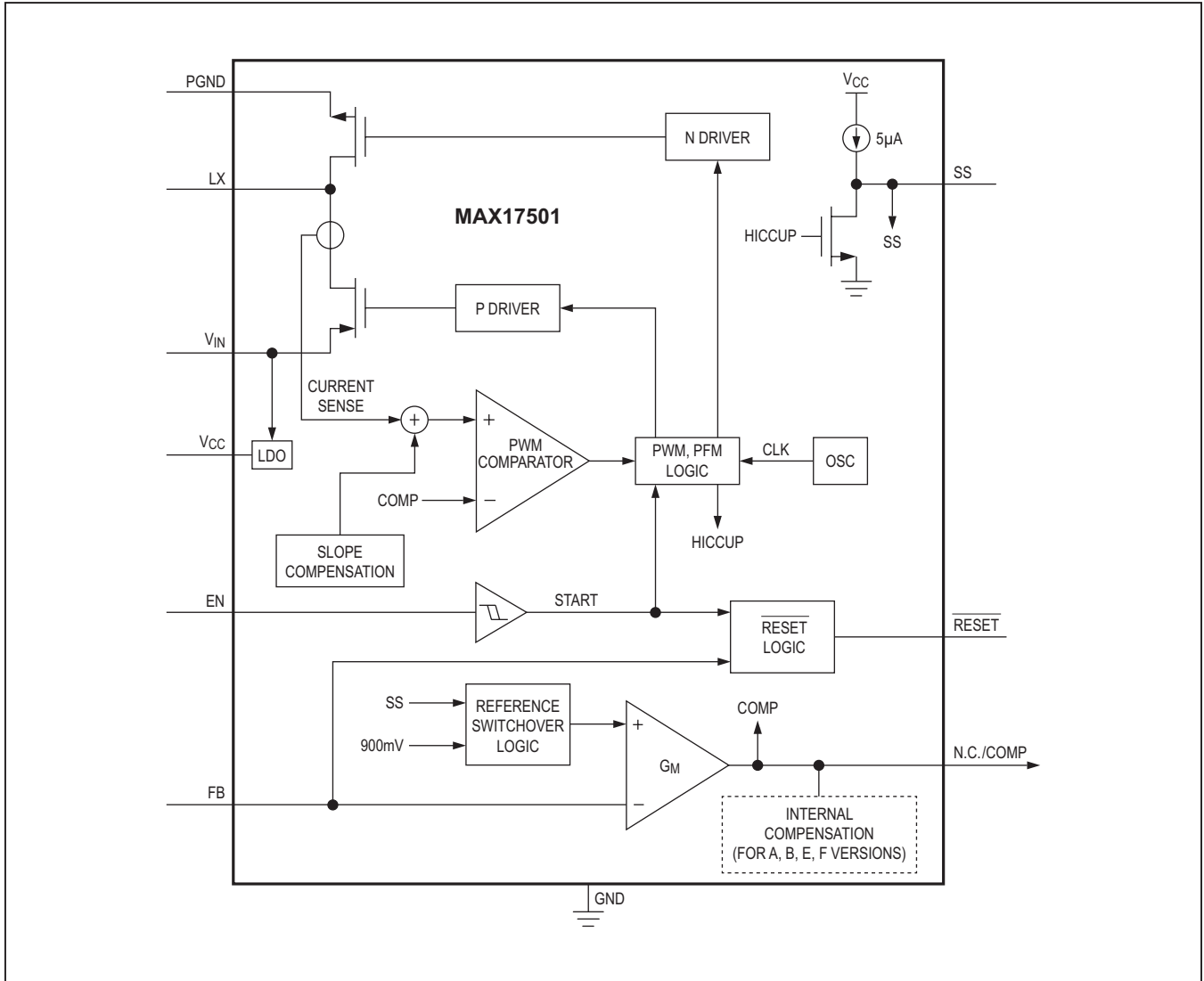
Pin Configuration



Pin Description

PIN	NAME	FUNCTION
1	PGND	Power Ground. Connect PGND externally to the power ground plane. Connect GND and PGND pins together at the ground return path of the V <sub>CC</sub> bypass capacitor.
2	V <sub>IN</sub>	Power-Supply Input. The input supply range is from 4.5V to 60V.
3	EN/UVLO	Enable/Undervoltage Lockout Input. Drive EN/UVLO high to enable the output voltage. Connect to the center of the resistive divider between V <sub>IN</sub> and GND to set the input voltage (undervoltage threshold) at which the device turns on. Pull up to V <sub>IN</sub> for always on.
4	V <sub>CC</sub>	5V LDO Output. Bypass V <sub>CC</sub> with 1μF ceramic capacitance to GND.
5	FB/VO	Feedback Input. For fixed output voltage devices, directly connect FB/VO to the output. For adjustable output voltage devices, connect FB/VO to the center of the resistive divider between V <sub>OUT</sub> and GND.
6	SS	Soft-Start Input. Connect a capacitor from SS to GND to set the soft-start time.
7	N.C./COMP	For fixed output voltage devices, leave this pin unconnected. For adjustable output voltage devices, connect an RC network from COMP to GND.
8	RESET	Open-Drain RESET Output. The RESET output is driven low if FB drops below 92.5% of its set value. RESET goes high 1024 clock cycles after FB rises above 95.5% of its set value. RESET is valid when the device is enabled and V <sub>IN</sub> is above 4.5V.
9	GND	Analog Ground
10	LX	Switching Node. Connect LX to the switching side of the inductor. LX is high impedance when the device is in shutdown mode.
—	EP	Exposed Pad. Connect to the GND pin of the IC. Connect to a large copper plane below the IC to improve heat dissipation capability.

Block Diagram



## Detailed Description

The MAX17501 synchronous step-down regulator operates from 4.5V to 60V and delivers up to 500mA load current. Output voltage regulation accuracy meets  $\pm 1.7\%$  over temperature.

The device uses a peak-current-mode control scheme. An internal transconductance error amplifier generates an integrated error voltage. The error voltage sets the duty cycle using a PWM comparator, a high-side current-sense amplifier, and a slope-compensation generator. At each rising edge of the clock, the high-side p-channel MOSFET turns on and remains on until either the appropriate or maximum duty cycle is reached, or the peak current limit is detected.

During the high-side MOSFET's on-time, the inductor current ramps up. During the second half of the switching cycle, the high-side MOSFET turns off and the low-side n-channel MOSFET turns on and remains on until either the next rising edge of the clock arrives or sink current limit is detected. The inductor releases the stored energy as its current ramps down, and provides current to the output (the internal low  $R_{\text{DS(on)}}$  pMOS/nMOS switches ensure high efficiency at full load).

This device also integrates enable/undervoltage lockout (EN/UVLO), adjustable soft-start time (SS), and open-drain reset output ( $\overline{\text{RESET}}$ ) functionality.

## PFM Operation

The A and B versions of the MAX17501 feature a PFM scheme to improve light load efficiency. At light loads, once the part enters PFM mode, the inductor current is forced to a fixed peak of 125mA (typical) every clock cycle until the output rises to 103.3% of nominal voltage. Once output reaches 103.3% of nominal voltage, both high-side and low-side FETs are turned off and the part enters hibernate operation until the load discharges output to 101.3% of nominal voltage. Most of the internal blocks are turned off in hibernate operation to save quiescent current. Such an operation reduces the effective switching frequency of the converter at light loads, resulting in reduced switching losses and improved light load efficiency. The part naturally exits PFM mode when the load current exceeds 62.5mA (typical).

## Linear Regulator ( $V_{\text{CC}}$ )

An internal linear regulator ( $V_{\text{CC}}$ ) provides a 5V nominal supply to power the internal blocks and the low-side MOSFET driver. The output of the  $V_{\text{CC}}$  linear regulator should be bypassed with a 1 $\mu$ F ceramic capacitor to

GND. The device employs an undervoltage-lockout circuit that disables the internal linear regulator when  $V_{\text{CC}}$  falls below 3.7V (typical). The internal  $V_{\text{CC}}$  linear regulator can source up to 40mA (typical) to supply the device and to power the low-side gate driver.

## Operating Input Voltage Range

The maximum operating input voltage is determined by the minimum controllable on-time and the minimum operating input voltage is determined by the maximum duty cycle and circuit voltage drops. The minimum and maximum operating input voltages for a given output voltage should be calculated as:

$$V_{\text{IN(MIN)}} = \frac{V_{\text{OUT}} + (I_{\text{OUT(MAX)}} \times (R_{\text{DCR}} + 0.47))}{D_{\text{MAX}}} + (I_{\text{OUT(MAX)}} \times 0.73)$$

$$V_{\text{IN(MAX)}} = \frac{V_{\text{OUT}}}{f_{\text{SW(MAX)}} \times t_{\text{ON(MIN)}}}$$

where  $V_{\text{OUT}}$  is the steady-state output voltage,  $I_{\text{OUT(MAX)}}$  is the maximum load current,  $R_{\text{DCR}}$  is the DC resistance of the inductor,  $f_{\text{SW(MAX)}}$  is the switching frequency (maximum) and  $t_{\text{ON(MIN)}}$  is the worst-case minimum switch on-time (120ns). The following table lists the  $f_{\text{SW(MAX)}}$  and  $D_{\text{MAX}}$  values to be used for calculation for different versions of the MAX17501:

PART VERSION	$f_{\text{SW(MAX)}}$ (kHz)	$D_{\text{MAX}}$
MAX17501A/B/E/F/G	640	0.92
MAX17501H	320	0.965

## Overcurrent Protection/HICCUP Mode

The device is provided with a robust overcurrent-protection scheme that protects the device under overload and output short-circuit conditions. A cycle-by-cycle peak current limit turns off the high-side MOSFET whenever the high-side switch current exceeds an internal limit of 760mA (typ). A runaway current limit on the high-side switch current at 780mA (typ) protects the device under high input voltage, short-circuit conditions when there is insufficient output voltage available to restore the inductor current that built up during the on period of the step-down converter. One occurrence of the runaway current limit triggers a hiccup mode. In addition, if due to a fault condition, output voltage drops to 71.14% (typ) of its nominal value any time after soft-start is complete, hiccup mode is triggered.

In hiccup mode, the converter is protected by suspending switching for a hiccup timeout period of 32,768 clock cycles. Once the hiccup timeout period expires, soft-start is attempted again. This operation results in minimal power dissipation under overload fault conditions.

### RESET Output

The device includes a  $\overline{\text{RESET}}$  comparator to monitor the output voltage. The open-drain  $\overline{\text{RESET}}$  output requires an external pullup resistor.  $\overline{\text{RESET}}$  can sink 2mA of current while low.  $\overline{\text{RESET}}$  goes high (high impedance) 1024 switching cycles after the regulator output increases above 95.5% of the designated nominal regulated voltage.  $\overline{\text{RESET}}$  goes low when the regulator output voltage drops to below 92.5% of the nominal regulated voltage.  $\overline{\text{RESET}}$  also goes low during thermal shutdown.  $\overline{\text{RESET}}$  is valid when the device is enabled and  $V_{\text{IN}}$  is above 4.5V.

### Prebiased Output

When the device starts into a prebiased output, both the high-side and low-side switches are turned off so the converter does not sink current from the output. High-side and low-side switches do not start switching until the PWM comparator commands the first PWM pulse, at which point switching commences first with the high-side switch. The output voltage is then smoothly ramped up to the target value in alignment with the internal reference.

### Thermal-Overload Protection

Thermal-overload protection limits total power dissipation in the device. When the junction temperature of the device exceeds +165°C, an on-chip thermal sensor shuts down the device, allowing the device to cool. The thermal sensor turns the device on again after the junction temperature cools by 10°C. Soft-start resets during thermal shutdown. Carefully evaluate the total power dissipation (see the [Power Dissipation](#) section) to avoid unwanted triggering of the thermal-overload protection in normal operation.

## Applications Information

### Input Capacitor Selection

The discontinuous input-current waveform of the buck converter causes large ripple currents in the input capacitor. The switching frequency, peak inductor current, and the allowable peak-to-peak voltage ripple that reflects back to the source dictate the capacitance requirement. The device's high switching frequency allows the use of smaller value input capacitors. X7R capacitors are recommended in industrial applications for their temperature stability. A minimum value of 1μF should be used for the input capacitor. Higher values help reduce the ripple on

the input DC bus further. In applications where the source is located distant from the device input, an electrolytic capacitor should be added in parallel to the 1μF ceramic capacitor to provide necessary damping for potential oscillations caused by the longer input power path and input ceramic capacitor.

### Inductor Selection

Three key inductor parameters must be specified for operation with the device: inductance value (L), inductor saturation current ( $I_{\text{SAT}}$ ), and DC resistance ( $R_{\text{DCR}}$ ). The switching frequency, input voltage, and output voltage determine the inductor value as follows:

$$L = \frac{V_{\text{OUT}} \times (V_{\text{IN}} - V_{\text{OUT}})}{0.15 \times V_{\text{IN}} \times f_{\text{SW}}}$$

where  $V_{\text{IN}}$ ,  $V_{\text{OUT}}$ , and  $f_{\text{SW}}$  are nominal values. Ensure that at any operating condition, the ratio ( $V_{\text{OUT}}/(L \times f_{\text{SW}})$ ) is between 150mA and 250mA.

Select a low-loss inductor closest to the calculated value with acceptable dimensions and having the lowest possible DC resistance. The saturation current rating ( $I_{\text{SAT}}$ ) of the inductor must be high enough to ensure that saturation can occur only above the peak current-limit value ( $I_{\text{PEAK-LIMIT}}$  (typ) = 0.76A for the device).

### Output Capacitor Selection

X7R ceramic output capacitors are preferred due to their stability over temperature in industrial applications. The output capacitor is usually sized to support a step load of 50% of the maximum output current in the application, so the output-voltage deviation is contained to ±3% of the output-voltage change.

For fixed 3.3V and 5V output voltage versions, connect a minimum of 10μF (1206) capacitor at the output. For adjustable output voltage versions, the output capacitance can be calculated as follows:

$$C_{\text{OUT}} = \frac{1}{2} \times \frac{I_{\text{STEP}} \times t_{\text{RESPONSE}}}{\Delta V_{\text{OUT}}}$$

$$t_{\text{RESPONSE}} \cong \frac{0.33}{f_{\text{C}}} + \frac{1}{f_{\text{SW}}}$$

where  $I_{\text{STEP}}$  is the load current step,  $t_{\text{RESPONSE}}$  is the response time of the controller,  $\Delta V_{\text{OUT}}$  is the allowable output-voltage deviation,  $f_{\text{C}}$  is the target closed-loop cross-over frequency, and  $f_{\text{SW}}$  is the switching frequency. Select  $f_{\text{C}}$  to be 1/12th of  $f_{\text{SW}}$ . Consider DC bias and aging effects while selecting the output capacitor.

**Soft-Start Capacitor Selection**

The MAX17501 implements adjustable soft-start operation to reduce inrush current. A capacitor connected from the SS pin to GND programs the soft-start period.

The soft-start time ( $t_{SS}$ ) is related to the capacitor connected at SS ( $C_{SS}$ ) by the following equation:

$$C_{SS} = 5.55 \times t_{SS}$$

where  $t_{SS}$  is in milliseconds and  $C_{SS}$  is in nanofarads. For example, to program a 600 $\mu$ s soft-start time, a 3300pF capacitor should be connected from the SS pin to GND.

Ensure that ( $C_{SEL} \times V_{OUT}/t_{SS}$ ) is less than 150mA, where  $C_{SEL}$  is the selected output capacitance.

**Adjusting Output Voltage**

The MAX17501A/E and MAX17501B/F have preset output voltages of 3.3V and 5.0V, respectively. Connect FB/VO directly to the positive terminal of the output capacitor (see the [Typical Applications Circuits](#)).

The MAX17501G/H offer an adjustable output voltage. Set the output voltage with a resistive voltage-divider connected from the positive terminal of the output capacitor ( $V_{OUT}$ ) to GND (see [Figure 1](#)). Connect the center node of the divider to FB/VO. To optimize efficiency and output accuracy, use the following procedure to choose the values of R4 and R5:

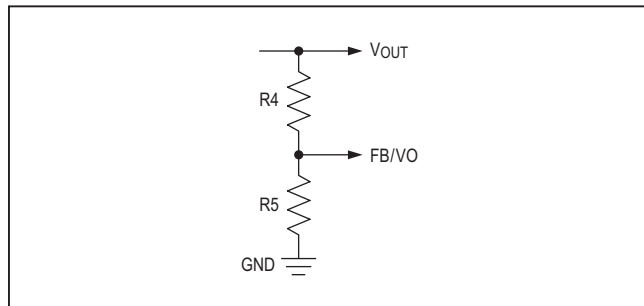


Figure 1. Setting the Output Voltage

For MAX17501G, select the parallel combination of R4 and R5,  $R_p$  to be less than 15k $\Omega$ . For the MAX17501H, select the parallel combination of R4 and R5,  $R_p$  to be less than 30k $\Omega$ . Once  $R_p$  is selected, calculate R4 as:

$$R4 = \frac{R_p \times V_{OUT}}{0.9}$$

Calculate R5 as follows:

$$R5 = \frac{R4 \times 0.9}{(V_{OUT} - 0.9)}$$

**Setting the Input Undervoltage Lockout Level**

The device offers an adjustable input undervoltage-lockout level. Set the voltage at which the device turns on with a resistive voltage-divider connected from  $V_{IN}$  to GND (see [Figure 2](#)). Connect the center node of the divider to EN/UVLO.

Choose R1 to be 3.3M $\Omega$ , and then calculate R2 as:

$$R2 = \frac{R1 \times 1.218}{(V_{INU} - 1.218)}$$

where  $V_{INU}$  is the voltage at which the device is required to turn on. For adjustable output voltage devices, ensure that  $V_{INU}$  is higher than 0.8 x  $V_{OUT}$ .

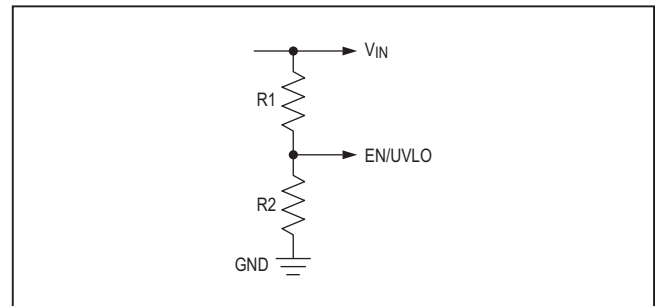


Figure 2. Adjustable EN/UVLO Network

### External Loop Compensation for Adjustable Output Versions

The MAX17501 uses peak current-mode control scheme and needs only a simple RC network to have a stable, high-bandwidth control loop for the adjustable output voltage versions. The basic regulator loop is modeled as a power modulator, an output feedback divider, and an error amplifier. The power modulator has DC gain  $G_{MOD(dc)}$ , with a pole and zero pair. The following equation defines the power modulator DC gain:

$$G_{MOD(dc)} = \frac{1}{\frac{1}{R_{LOAD}} + \frac{0.2}{V_{IN}} + \left( \frac{0.5 - D}{f_{SW} \times L_{SEL}} \right)}$$

where  $R_{LOAD} = V_{OUT}/I_{OUT(MAX)}$ ,  $f_{SW}$  is the switching frequency,  $L_{SEL}$  is the selected output inductance,  $D$  is the duty ratio,  $D = V_{OUT}/V_{IN}$ .

The compensation network is shown in [Figure 3](#).

$R_Z$  can be calculated as:

$$R_Z = 12000 \times f_C \times C_{SEL} \times V_{OUT}$$

where  $R_Z$  is in  $\Omega$ . Choose  $f_C$  to be 1/12th of the switching frequency.

$C_Z$  can be calculated as follows:

$$C_Z = \frac{C_{SEL} \times G_{MOD(dc)}}{R_Z}$$

$C_P$  can be calculated as follows:

$$C_P = \frac{1}{\pi \times R_Z \times f_{SW}} - 5pF$$

### Power Dissipation

The exposed pad of the IC should be properly soldered to the PCB to ensure good thermal contact. Ensure the junction temperature of the device does not exceed +125°C under the operating conditions specified for the power supply.

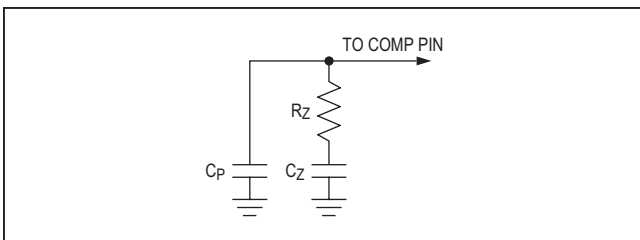


Figure 3. External Compensation Network

At high ambient temperatures, based on the operating condition, the heat dissipated in the IC might exceed the maximum junction temperature of +125°C. Heat sink should be used to reduce  $\theta_{JA}$  at such operating conditions. For typical applications, refer to the temperature derating curves included in the MAX17501 Evaluation Kit data sheet.

To prevent the part from exceeding 125°C junction temperature, users need to do some thermal analysis. At a particular operating condition, the power losses that lead to temperature rise of the device are estimated as follows:

$$P_{LOSS} = (P_{OUT} \times (\frac{1}{\eta} - 1)) - (I_{OUT}^2 \times R_{DCR})$$

$$P_{OUT} = V_{OUT} \times I_{OUT}$$

where  $P_{OUT}$  is the output power,  $\eta$  is the efficiency of the device, and  $R_{DCR}$  is the DC resistance of the output inductor (refer to the *Typical Operating Characteristics* in the evaluation kit data sheets for more information on efficiency at typical operating conditions).

The maximum power that can be dissipated in the 10-pin TDFN-EP package is 1188.7mW at +70°C temperature. The power dissipation capability should be derated as the temperature goes above +70°C at 14.9mW/°C. For a typical multilayer board, the thermal performance metrics for the package are given as:

$$\theta_{JA} = 67.3^\circ\text{C/W}$$

$$\theta_{JC} = 18.2^\circ\text{C/W}$$

The junction temperature of the device can be estimated at any given maximum ambient temperature ( $T_{A\_MAX}$ ) from the following equation:

$$T_{J\_MAX} = T_{A\_MAX} + (\theta_{JA} \times P_{LOSS})$$

If the application has a thermal-management system that ensures that the exposed pad of the device is maintained at a given temperature ( $T_{EP\_MAX}$ ) by using proper heat sinks, then the junction temperature of the device can be estimated at any given maximum ambient temperature as:

$$T_{J\_MAX} = T_{EP\_MAX} + (\theta_{JC} \times P_{LOSS})$$



**PCB Layout Guidelines**

Careful PCB layout is critical to achieve low switching losses and stable operation. For a sample layout that ensures first-pass success, refer to the MAX17501 evaluation kit layouts available at [www.maximintegrated.com](http://www.maximintegrated.com). Follow these guidelines for good PCB layout:

- 1) All connections carrying pulsed currents must be very short and as wide as possible. The loop area of these connections must be made very small to reduce stray inductance and radiated EMI.
- 2) A ceramic input filter capacitor should be placed close to the  $V_{IN}$  pin of the device. The bypass capacitor for the  $V_{CC}$  pin should also be placed close to the  $V_{CC}$  pin. External compensation components should be

placed close to the IC and far from the inductor. The feedback trace should be routed as far as possible from the inductor.

- 3) The analog small-signal ground and the power ground for switching currents must be kept separate. They should be connected together at a point where switching activity is at minimum, typically the return terminal of the  $V_{CC}$  bypass capacitor. The ground plane should be kept continuous as much as possible.
- 4) A number of thermal vias that connect to a large ground plane should be provided under the exposed pad of the device, for efficient heat dissipation.

Figure 4 and 5 show the recommended component placement for MAX17501.

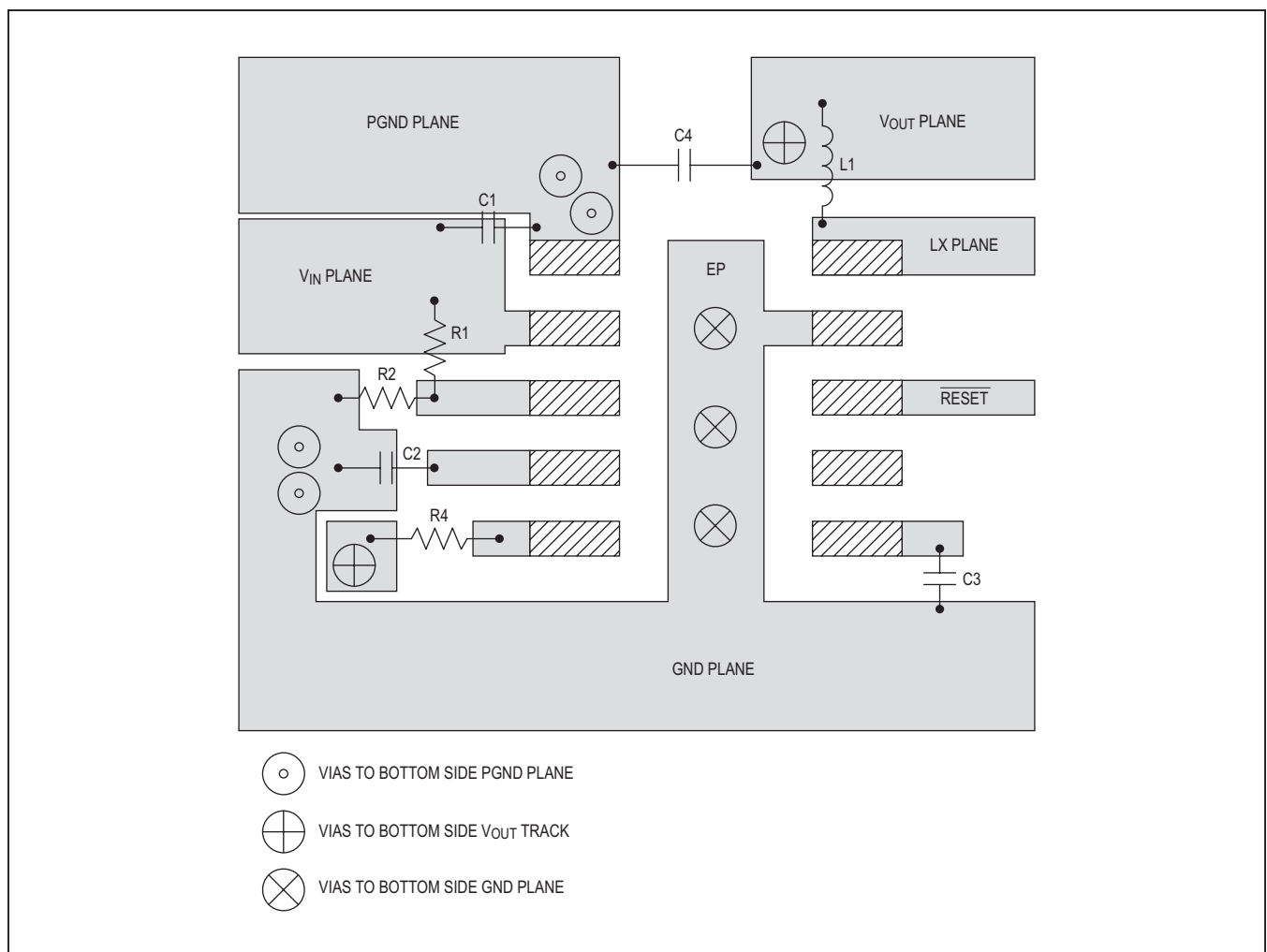


Figure 4. Recommended Component Placement for MAX17501A/B/E/F

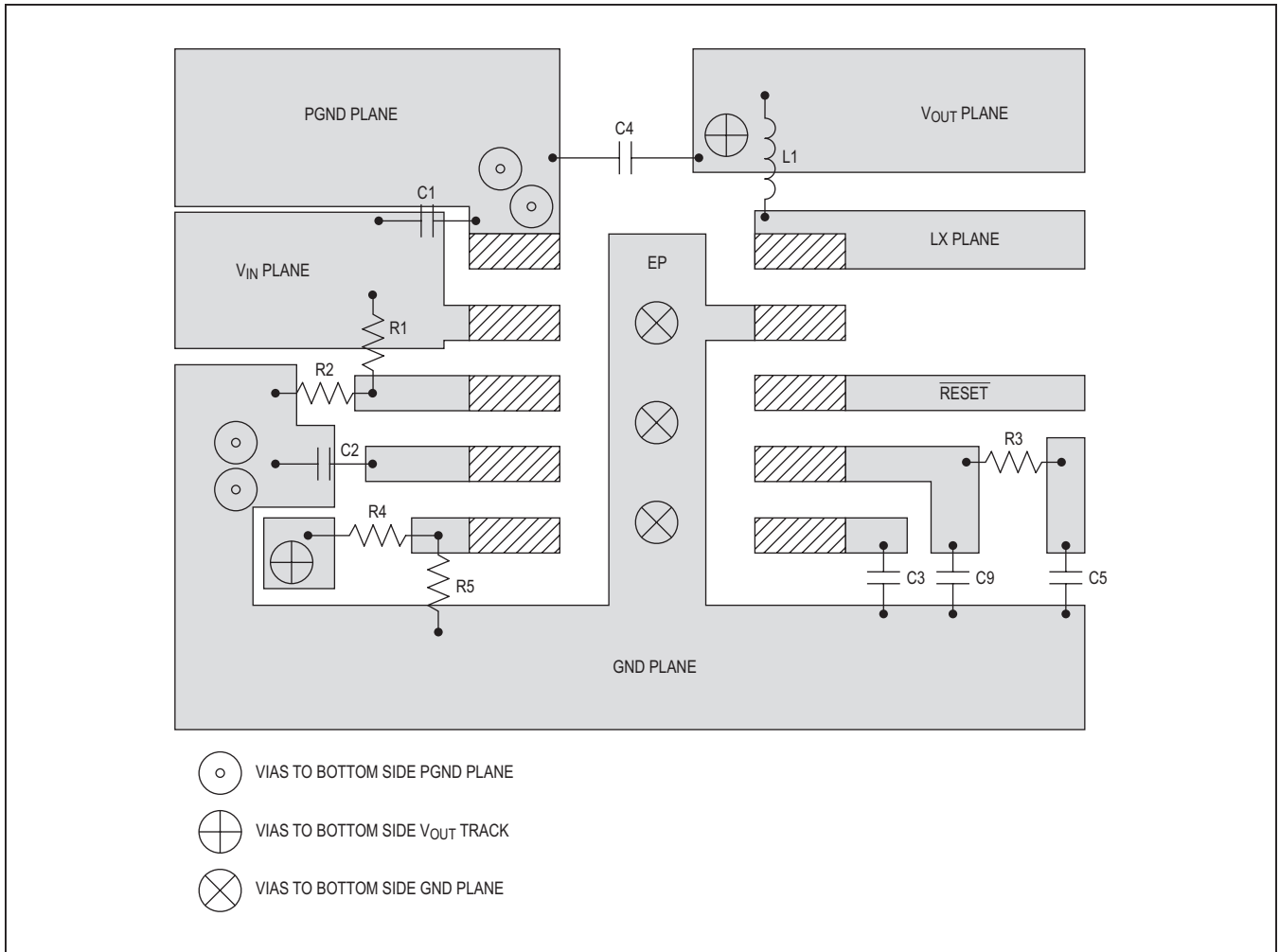


Figure 5. Recommended Component Placement for MAX17501G/H

Typical Applications Circuits

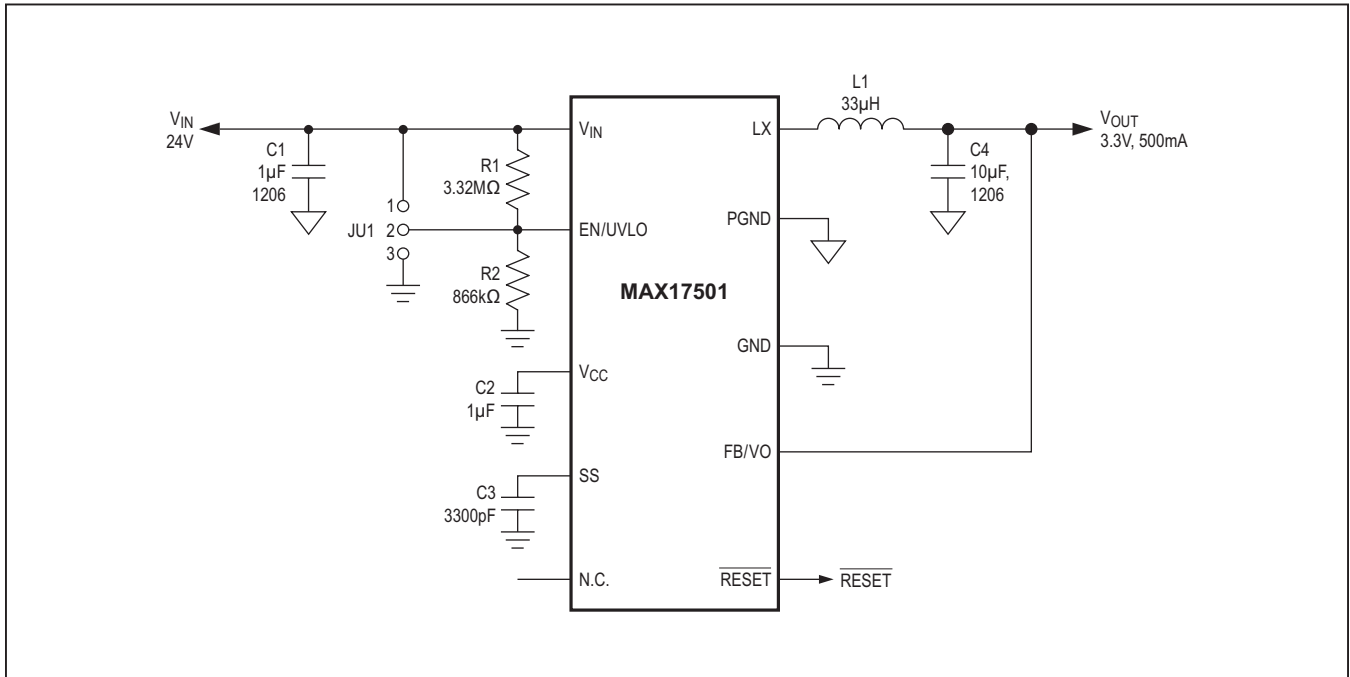


Figure 6. MAX17501A/E Application Circuit (3.3V Output, 500mA Maximum Load Current, 600kHz Switching Frequency)

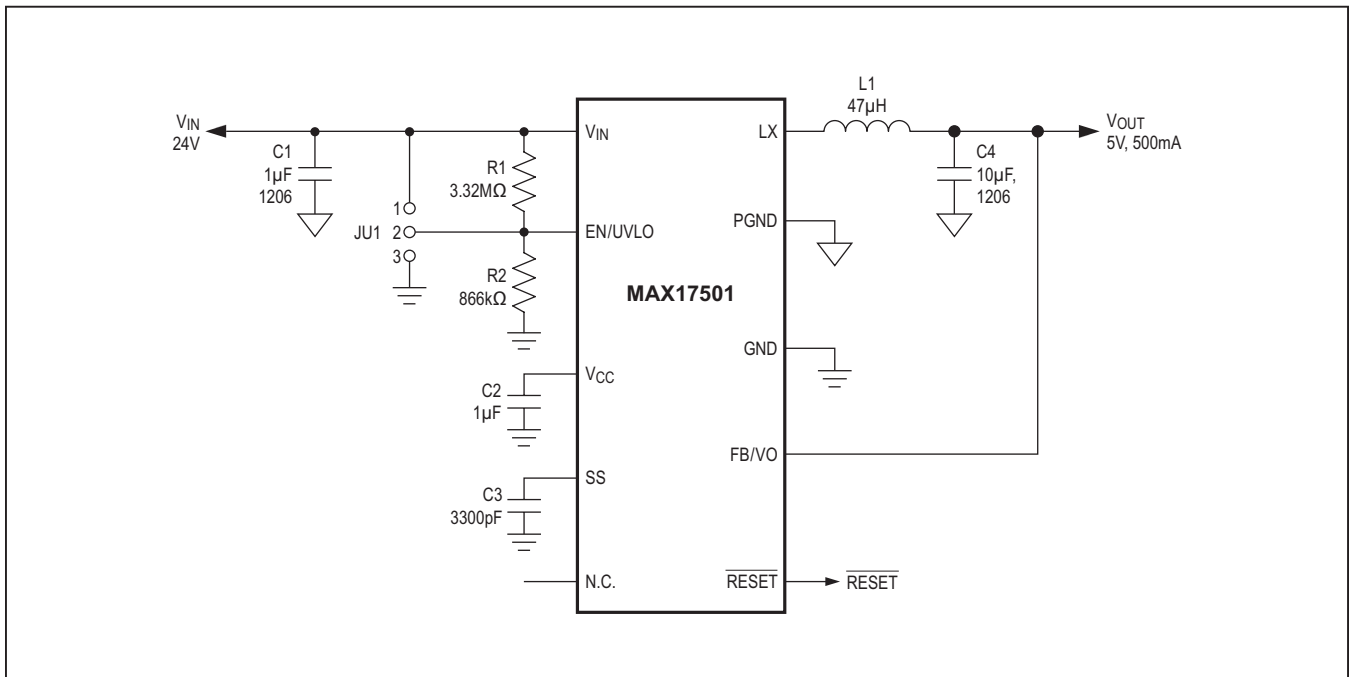


Figure 7. MAX17501B/F Application Circuit (5V Output, 500mA Maximum Load Current, 600kHz Switching Frequency)

# MAX17501

## 60V, 500mA, Ultra-Small, High-Efficiency, Synchronous Step-Down DC-DC Converter

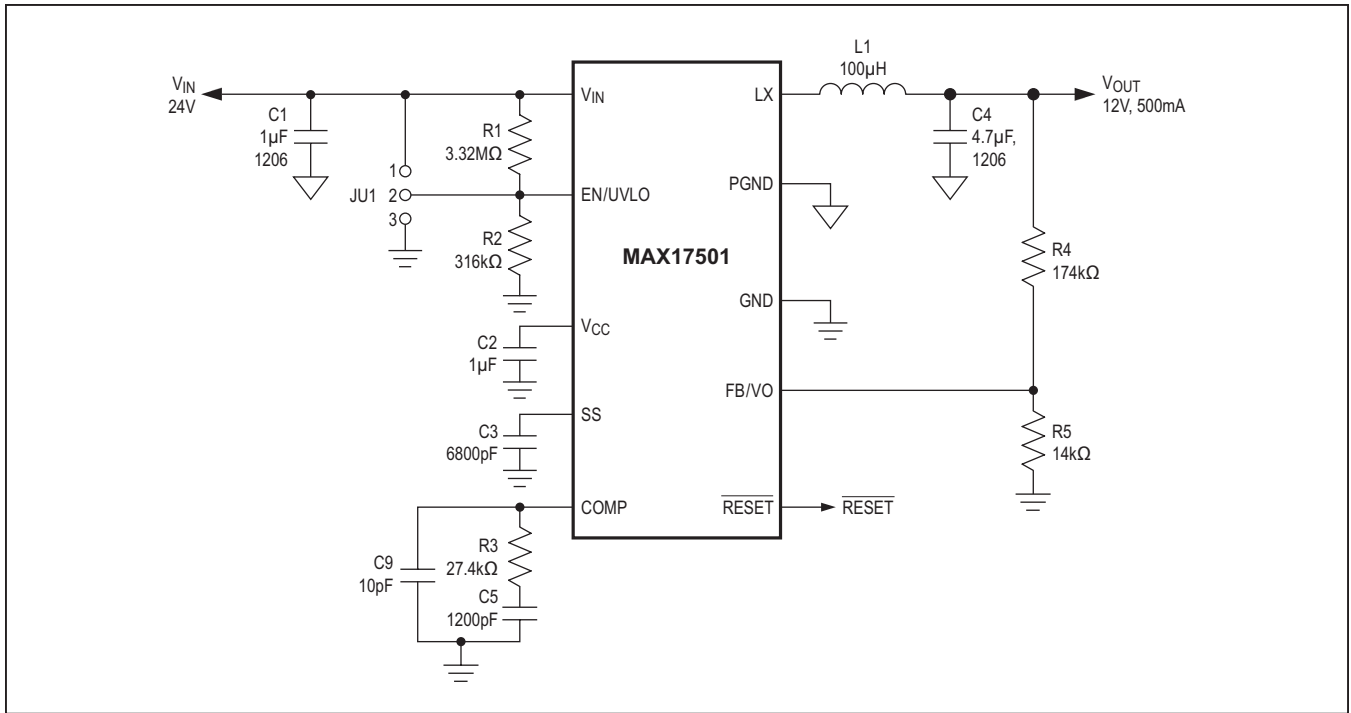


Figure 8. MAX17501G Application Circuit (12V Output, 500mA Maximum Load Current, 600kHz Switching Frequency)

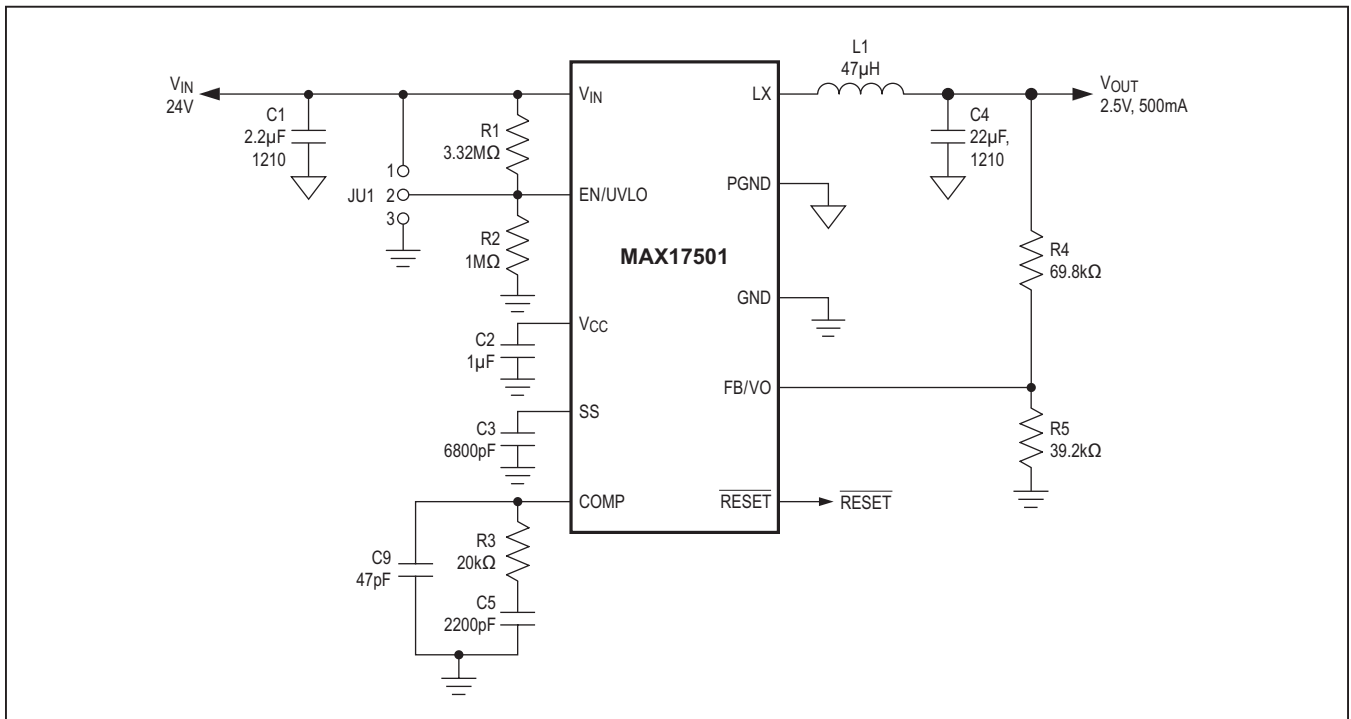


Figure 9. MAX17501H Application Circuit (2.5V Output, 500mA Maximum Load Current, 300kHz Switching Frequency)

MAX17501

60V, 500mA, Ultra-Small, High-Efficiency,  
Synchronous Step-Down DC-DC Converter

## Ordering Information/Part Selector Guide

PART	PIN-PACKAGE	OUTPUT VOLTAGE (V)	SWITCHING FREQUENCY (kHz)	MODE
MAX17501AATB+	10 TDFN-EP*	3.3	600	PFM
MAX17501BATB+	10 TDFN-EP*	5	600	PFM
MAX17501EATB+	10 TDFN-EP*	3.3	600	PWM
MAX17501FATB+	10 TDFN-EP*	5	600	PWM
MAX17501GATB+	10 TDFN-EP*	Adjustable	600	PWM
MAX17501HATB+	10 TDFN-EP*	Adjustable	300	PWM

+Denotes a lead(Pb)-free/RoHS-compliant package.

\*EP = Exposed paddle.

## Chip Information

PROCESS: BiCMOS

## Package Information

For the latest package outline information and land patterns (footprints), go to [www.maximintegrated.com/packages](http://www.maximintegrated.com/packages). Note that a "+", "#", or "-" in the package code indicates RoHS status only. Package drawings may show a different suffix character, but the drawing pertains to the package regardless of RoHS status.

PACKAGE TYPE	PACKAGE CODE	OUTLINE NO.	LAND PATTERN NO.
10 TDFN	T1032N+1	<a href="#">21-0429</a>	<a href="#">90-0082</a>

\*EP = Exposed pad.

MAX17501

60V, 500mA, Ultra-Small, High-Efficiency,  
Synchronous Step-Down DC-DC Converter

## Revision History

REVISION NUMBER	REVISION DATE	DESCRIPTION	PAGES CHANGED
0	5/12	Initial release	—
1	11/12	Added MAX17501A, MAX17501B, MAX17501G, MAX17501H to data sheet	1–22
2	1/13	Added explanation on detailed condition for $\overline{\text{RESET}}$	11, 14

For pricing, delivery, and ordering information, please contact Maxim Direct at 1-888-629-4642, or visit Maxim Integrated's website at [www.maximintegrated.com](http://www.maximintegrated.com).

*Maxim Integrated cannot assume responsibility for use of any circuitry other than circuitry entirely embodied in a Maxim Integrated product. No circuit patent licenses are implied. Maxim Integrated reserves the right to change the circuitry and specifications without notice at any time. The parametric values (min and max limits) shown in the Electrical Characteristics table are guaranteed. Other parametric values quoted in this data sheet are provided for guidance.*