

Digital-to-Analog Converters with Serial Interface

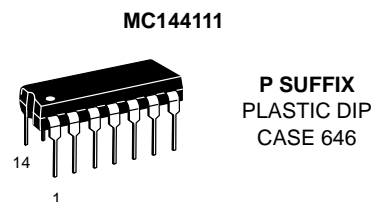
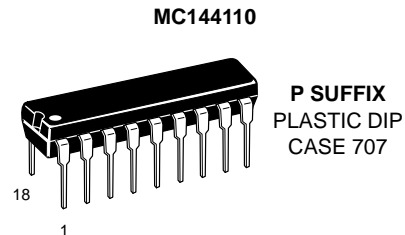
CMOS LSI

The MC144110 and MC144111 are low-cost 6-bit D/A converters with serial interface ports to provide communication with CMOS microprocessors and microcomputers. The MC144110 contains six static D/A converters; the MC144111 contains four converters.

Due to a unique feature of these DACs, the user is permitted easy scaling of the analog outputs of a system. Over a 5 to 15 V supply range, these DACs may be directly interfaced to CMOS MPUs operating at 5 V.

- Direct R-2R Network Outputs
- Buffered Emitter-Follower Outputs
- Serial Data Input
- Digital Data Output Facilitates Cascading
- Direct Interface to CMOS μ P
- Wide Operating Voltage Range: 4.5 to 15 V
- Wide Operating Temperature Range: 0 to 85°C
- Software Information is Contained in Document M68HC11RM/AD

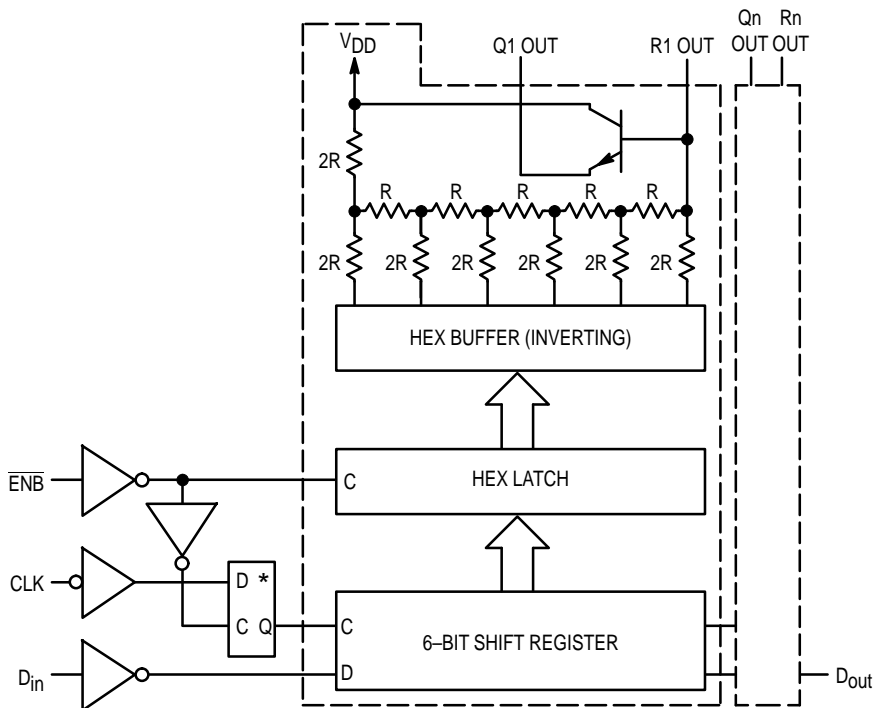
MC144110 MC144111



ORDERING INFORMATION

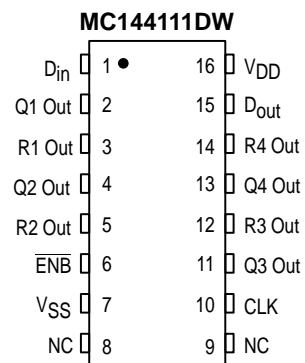
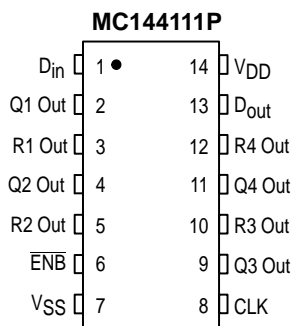
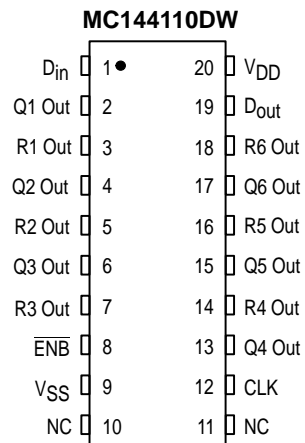
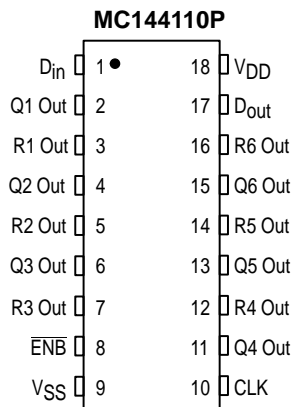
MC144110P	Plastic DIP
MC144110DW	SOG Package
MC144111P	Plastic DIP
MC144111DW	SOG Package

BLOCK DIAGRAM



* Transparent Latch

PIN ASSIGNMENTS



NC = NO CONNECTION

MAXIMUM RATINGS* (Voltages referenced to V_{SS})

Parameter	Symbol	Value	Unit
DC Supply Voltage	V_{DD}	- 0.5 to + 18	V
Input Voltage, All Inputs	V_{in}	- 0.5 to $V_{DD} + 0.5$	V
DC Input Current, per Pin	I	± 10	mA
Power Dissipation (Per Output) $T_A = 70^\circ\text{C}$, MC144110 MC144111 $T_A = 85^\circ\text{C}$, MC144110 MC144111	P_{OH}	30 50 10 20	mW
Power Dissipation (Per Package) $T_A = 70^\circ\text{C}$, MC144110 MC144111 $T_A = 85^\circ\text{C}$, MC144110 MC144111	P_D	100 150 25 50	mW
Storage Temperature Range	T_{stg}	- 65 to + 150	$^\circ\text{C}$

* Maximum Ratings are those values beyond which damage to the device may occur.

This device contains protection circuitry to guard against damage due to high static voltages or electric fields; however, it is advised that precautions be taken to avoid application of voltage higher than maximum rated voltages to this high-impedance circuit. For proper operation it is recommended that V_{in} and V_{out} be constrained to the range $V_{SS} \leq (V_{in} \text{ or } V_{out}) \leq V_{DD}$.

Unused inputs must always be tied to an appropriate logic voltage level (e.g., either V_{SS} or V_{DD}).

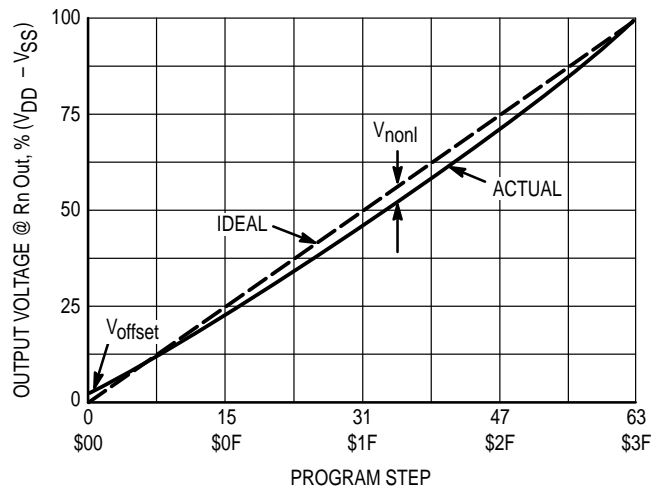
ELECTRICAL CHARACTERISTICS (Voltages referenced to V_{SS} , $T_A = 0$ to 85°C unless otherwise indicated)

Symbol	Parameter	Test Conditions	V_{DD}	Min	Max	Unit
V_{IH}	High-Level Input Voltage (D_{in} , \overline{ENB} , CLK)		5 10 15	3.0 3.5 4	—	V
V_{IL}	Low-Level Input Voltage (D_{in} , \overline{ENB} , CLK)		5 10 15	— — —	0.8 0.8 0.8	V
I_{OH}	High-Level Output Current (D_{out})	$V_{out} = V_{DD} - 0.5 \text{ V}$	5	- 200	—	μA
I_{OL}	Low-Level Output Current (D_{out})	$V_{out} = 0.5 \text{ V}$	5	200	—	μA
I_{DD}	Quiescent Supply Current MC144110 MC144111	$I_{out} = 0 \mu\text{A}$	15 15	— —	12 8	mA
I_{in}	Input Leakage Current (D_{in} , \overline{ENB} , CLK)	$V_{in} = V_{DD}$ or 0 V	15	—	± 1	μA
V_{nonl}	Nonlinearity Voltage (R_n Out)	See Figure 1	5 10 15	— — —	100 200 300	mV
V_{step}	Step Size (R_n Out)	See Figure 2	5 10 15	19 39 58	137 274 411	mV
V_{offset}	Offset Voltage from V_{SS}	$D_{in} = \$00$, See Figure 1	—	—	1	LSB
I_E	Emitter Leakage Current	$V_{Rn \text{ Out}} = 0 \text{ V}$	15	—	10	μA
h_{FE}	DC Current Gain	$I_E = 0.1$ to 10.0 mA $T_A = 25^\circ\text{C}$	—	40	—	—
V_{BE}	Base-to-Emitter Voltage Drop	$I_E = 1.0 \text{ mA}$	—	0.4	0.7	V

SWITCHING CHARACTERISTICS

(Voltages referenced to V_{SS} , $T_A = 0$ to 85°C , $C_L = 50$ pF, Input $t_r = t_f = 20$ ns unless otherwise indicated)

Symbol	Parameter	V_{DD}	Min	Max	Unit
t_{wH}	Positive Pulse Width, CLK (Figures 3 and 4)	5	2	—	μs
		10	1.5	—	
		15	1	—	
t_{wL}	Negative Pulse Width, CLK (Figure 3 and 4)	5	5	—	μs
		10	3.5	—	
		15	2	—	
t_{su}	Setup Time, $\overline{\text{ENB}}$ to CLK (Figures 3 and 4)	5	5	—	μs
		10	3.5	—	
		15	2	—	
t_{su}	Setup Time, D_{in} to CLK (Figures 3 and 4)	5	1000	—	ns
		10	750	—	
		15	500	—	
t_h	Hold Time, CLK to $\overline{\text{ENB}}$ (Figures 3 and 4)	5	5	—	μs
		10	3.5	—	
		15	2	—	
t_h	Hold Time, CLK to D_{in} (Figures 3 and 4)	5	5	—	μs
		10	3.5	—	
		15	2	—	
t_r, t_f	Input Rise and Fall Times	5 – 15	—	2	μs
C_{in}	Input Capacitance	5 – 15	—	7.5	pF



LINEARITY ERROR (integral linearity). A measure of how straight a device's transfer function is, it indicates the worst-case deviation of linearity of the actual transfer function from the best-fit straight line. It is normally specified in parts of an LSB.

Figure 1. D/A Transfer Function

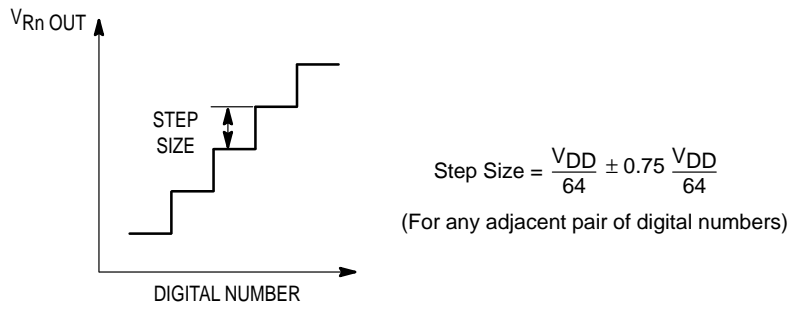


Figure 2. Definition of Step Size

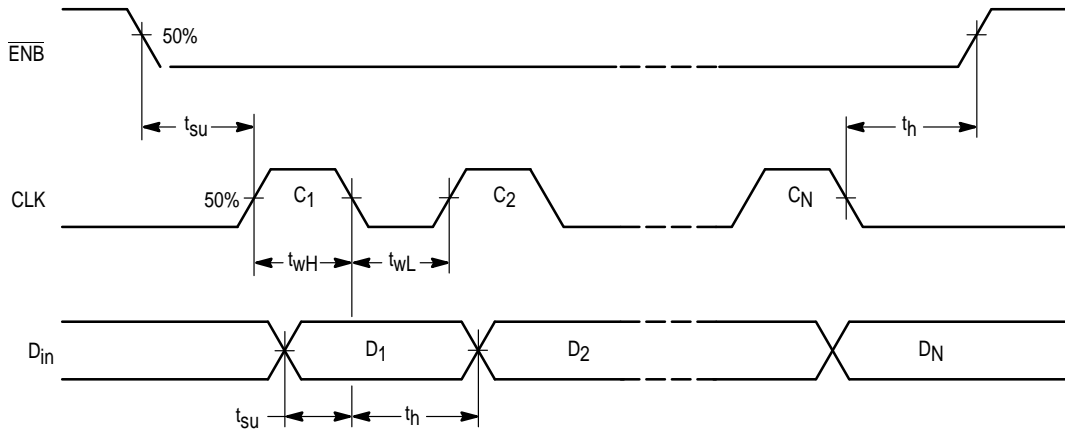


Figure 3. Serial Input, Positive Clock

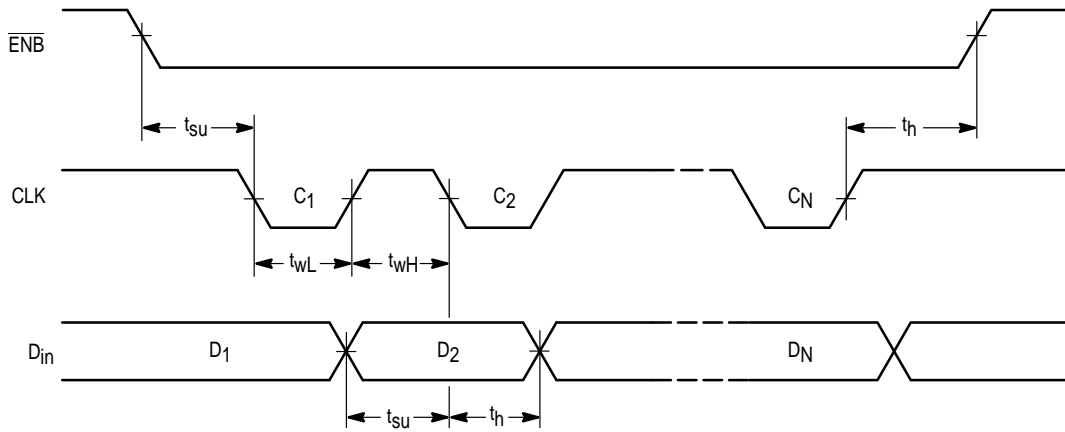


Figure 4. Serial Input, Negative Clock

PIN DESCRIPTIONS

INPUTS

D_{in} **Data Input**

Six-bit words are entered serially, MSB first, into digital data input, D_{in}. Six words are loaded into the MC144110 during each D/A cycle; four words are loaded into the MC144111.

The last 6-bit word shifted in determines the output level of pins Q1 Out and R1 Out. The next-to-last 6-bit word affects pins Q2 Out and R2 Out, etc.

$\overline{\text{ENB}}$

Negative Logic Enable

The $\overline{\text{ENB}}$ pin must be low (active) during the serial load. On the low-to-high transition of $\overline{\text{ENB}}$, data contained in the shift register is loaded into the latch.

CLK

Shift Register Clock

Data is shifted into the register on the high-to-low transition of CLK. CLK is fed into the D-input of a transparent latch, which is used for inhibiting the clocking of the shift register when $\overline{\text{ENB}}$ is high.

The number of clock cycles required for the MC144110 is usually 36. The MC144111 usually uses 24 cycles. See Table 1 for additional information.

OUTPUTS

D_{out} **Data Output**

The digital data output is primarily used for cascading the DACs and may be fed into D_{in} of the next stage.

R1 Out through R_n Out **Resistor Network Outputs**

These are the R-2R resistor network outputs. These outputs may be fed to high-impedance input FET op amps to bypass the on-chip bipolar transistors. The R value of the resistor network ranges from 7 to 15 k Ω .

Q1 Out through Q_n Out **NPN Transistor Outputs**

Buffered DAC outputs utilize an emitter-follower configuration for current-gain, thereby allowing interface to low-impedance circuits.

SUPPLY PINS

V_{SS} **Negative Supply Voltage**

This pin is usually ground.

V_{DD} **Positive Supply Voltage**

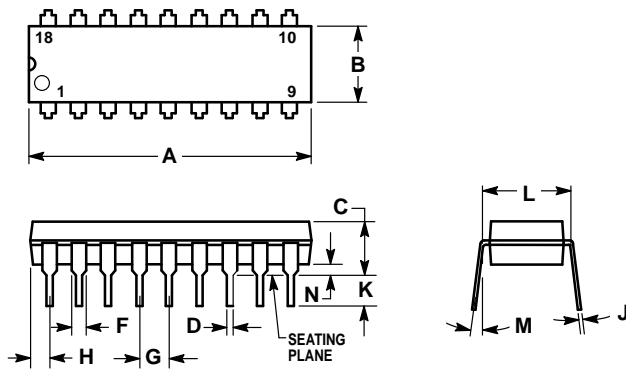
The voltage applied to this pin is used to scale the analog output swing from 4.5 to 15 V p-p.

Table 1. Number of Channels vs Clocks Required

Number of Channels Required	Number of Clock Cycles	Outputs Used on MC144110	Outputs Used on MC144111
1	6	Q1/R1	Q1/R1
2	12	Q1/R1, Q2/R2	Q1/R1, Q2/R2
3	18	Q1/R1, Q2/R2, Q3/R3	Q1/R1, Q2/R2, Q3/R3
4	24	Q1/R1, Q2/R2, Q3/R3, Q4/R4	Q1/R1, Q2/R2, Q3/R3, Q4/R4
5	30	Q1/R1, Q2/R2, Q3/R3, Q4/R4, Q5/R5	Not Applicable
6	36	Q1/R1, Q2/R2, Q3/R3, Q4/R4, Q5/R5, Q6/R6	Not Applicable

PACKAGE DIMENSIONS

P SUFFIX PLASTIC DIP CASE 707-02

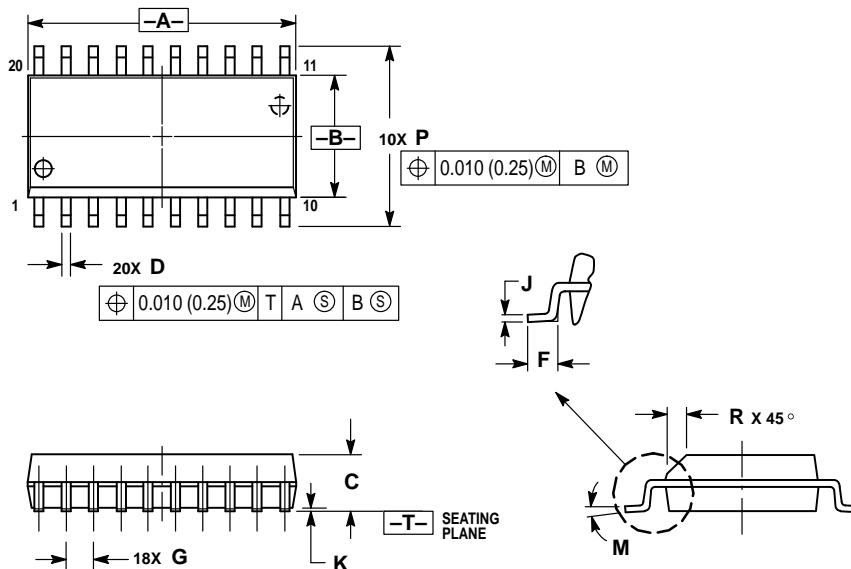


NOTES:

1. POSITIONAL TOLERANCE OF LEADS (D), SHALL BE WITHIN 0.25 (0.010) AT MAXIMUM MATERIAL CONDITION, IN RELATION TO SEATING PLANE AND EACH OTHER.
2. DIMENSION L TO CENTER OF LEADS WHEN FORMED PARALLEL.
3. DIMENSION B DOES NOT INCLUDE MOLD FLASH.

DIM	MILLIMETERS		INCHES	
	MIN	MAX	MIN	MAX
A	22.22	23.24	0.875	0.915
B	6.10	6.60	0.240	0.260
C	3.56	4.57	0.140	0.180
D	0.36	0.56	0.014	0.022
F	1.27	1.78	0.050	0.070
G	2.54 BSC		0.100 BSC	
H	1.02	1.52	0.040	0.060
J	0.20	0.30	0.008	0.012
K	2.92	3.43	0.115	0.135
L	7.62 BSC		0.300 BSC	
M	0°	15°	0°	15°
N	0.51	1.02	0.020	0.040

DW SUFFIX SOG PACKAGE CASE 751D-04

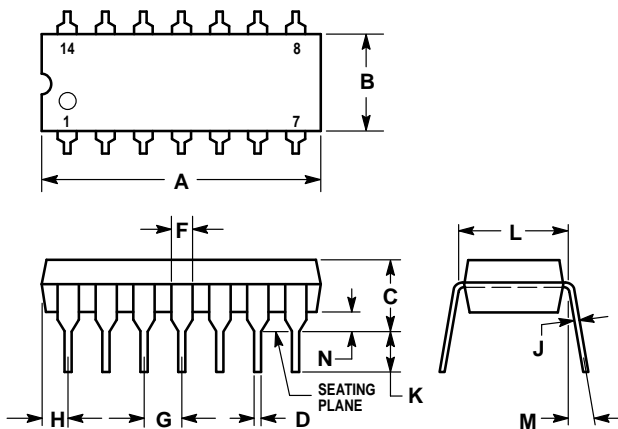


NOTES:

1. DIMENSIONING AND TOLERANCING PER ANSI Y14.5M, 1982.
2. CONTROLLING DIMENSION: MILLIMETER.
3. DIMENSIONS A AND B DO NOT INCLUDE MOLD PROTRUSION.
4. MAXIMUM MOLD PROTRUSION 0.150 (0.006) PER SIDE.
5. DIMENSION D DOES NOT INCLUDE DAMBAR PROTRUSION. ALLOWABLE DAMBAR PROTRUSION SHALL BE 0.13 (0.005) TOTAL IN EXCESS OF D DIMENSION AT MAXIMUM MATERIAL CONDITION.

DIM	MILLIMETERS		INCHES	
	MIN	MAX	MIN	MAX
A	12.65	12.95	0.499	0.510
B	7.40	7.60	0.292	0.299
C	2.35	2.65	0.093	0.104
D	0.35	0.49	0.014	0.019
F	0.50	0.90	0.020	0.035
G	1.27 BSC		0.050 BSC	
J	0.25	0.32	0.010	0.012
K	0.10	0.25	0.004	0.009
M	0°	7°	0°	7°
P	10.05	10.55	0.395	0.415
R	0.25	0.75	0.010	0.029

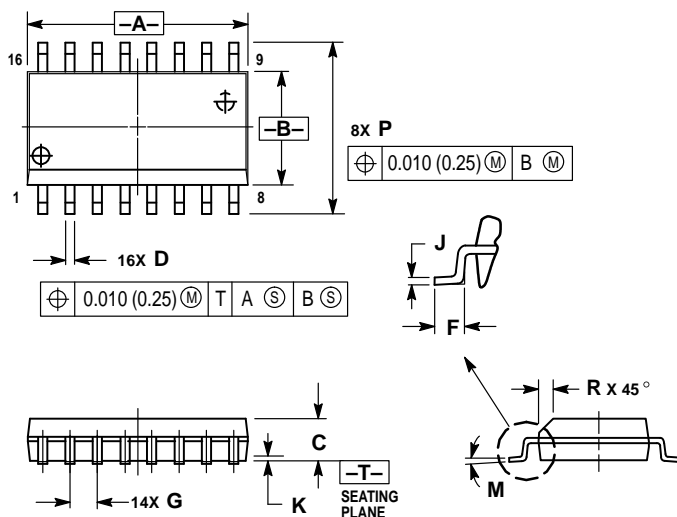
**P SUFFIX
PLASTIC DIP
CASE 646-06**



- NOTES:
- LEADS WITHIN 0.13 (0.005) RADIUS OF TRUE POSITION AT SEATING PLANE AT MAXIMUM MATERIAL CONDITION.
 - DIMENSION L TO CENTER OF LEADS WHEN FORMED PARALLEL.
 - DIMENSION B DOES NOT INCLUDE MOLD FLASH.
 - ROUNDED CORNERS OPTIONAL.

DIM	INCHES		MILLIMETERS	
	MIN	MAX	MIN	MAX
A	0.715	0.770	18.16	19.56
B	0.240	0.260	6.10	6.60
C	0.145	0.185	3.69	4.69
D	0.015	0.021	0.38	0.53
F	0.040	0.070	1.02	1.78
G	0.100 BSC		2.54 BSC	
H	0.052	0.095	1.32	2.41
J	0.008	0.015	0.20	0.38
K	0.115	0.135	2.92	3.43
L	0.300 BSC		7.62 BSC	
M	0°	10°	0°	10°
N	0.015	0.039	0.39	1.01

**DW SUFFIX
SOG PACKAGE
CASE 751G-02**



- NOTES:
- DIMENSIONING AND TOLERANCING PER ANSI Y14.5M, 1982.
 - CONTROLLING DIMENSION: MILLIMETER.
 - DIMENSIONS A AND B DO NOT INCLUDE MOLD PROTRUSION.
 - MAXIMUM MOLD PROTRUSION 0.15 (0.006) PER SIDE.
 - DIMENSION D DOES NOT INCLUDE DAMBAR PROTRUSION. ALLOWABLE DAMBAR PROTRUSION SHALL BE 0.13 (0.005) TOTAL IN EXCESS OF D DIMENSION AT MAXIMUM MATERIAL CONDITION.

DIM	MILLIMETERS		INCHES	
	MIN	MAX	MIN	MAX
A	10.15	10.45	0.400	0.411
B	7.40	7.60	0.292	0.299
C	2.35	2.65	0.093	0.104
D	0.35	0.49	0.014	0.019
F	0.50	0.90	0.020	0.035
G	1.27 BSC		0.050 BSC	
J	0.25	0.32	0.010	0.012
K	0.10	0.25	0.004	0.009
M	0°	7°	0°	7°
P	10.05	10.55	0.395	0.415
R	0.25	0.75	0.010	0.029

Motorola reserves the right to make changes without further notice to any products herein. Motorola makes no warranty, representation or guarantee regarding the suitability of its products for any particular purpose, nor does Motorola assume any liability arising out of the application or use of any product or circuit, and specifically disclaims any and all liability, including without limitation consequential or incidental damages. "Typical" parameters which may be provided in Motorola data sheets and/or specifications can and do vary in different applications and actual performance may vary over time. All operating parameters, including "Typicals" must be validated for each customer application by customer's technical experts. Motorola does not convey any license under its patent rights nor the rights of others. Motorola products are not designed, intended, or authorized for use as components in systems intended for surgical implant into the body, or other applications intended to support or sustain life, or for any other application in which the failure of the Motorola product could create a situation where personal injury or death may occur. Should Buyer purchase or use Motorola products for any such unintended or unauthorized application, Buyer shall indemnify and hold Motorola and its officers, employees, subsidiaries, affiliates, and distributors harmless against all claims, costs, damages, and expenses, and reasonable attorney fees arising out of, directly or indirectly, any claim of personal injury or death associated with such unintended or unauthorized use, even if such claim alleges that Motorola was negligent regarding the design or manufacture of the part. Motorola and are registered trademarks of Motorola, Inc. Motorola, Inc. is an Equal Opportunity/Affirmative Action Employer.

Mfax is a trademark of Motorola, Inc.

How to reach us:

USA/EUROPE/Locations Not Listed: Motorola Literature Distribution;
P.O. Box 5405, Denver, Colorado 80217. 1-303-675-2140 or 1-800-441-2447

JAPAN: Motorola Japan Ltd.; SPD, Strategic Planning Office, 141,
4-32-1 Nishi-Gotanda, Shinagawa-ku, Tokyo, Japan. 81-3-5487-8488

Customer Focus Center: 1-800-521-6274

Mfax™: RMFAX0@email.sps.mot.com – TOUCHTONE 1-602-244-6609
Motorola Fax Back System – US & Canada ONLY 1-800-774-1848
– http://sps.motorola.com/mfax/

ASIA/PACIFIC: Motorola Semiconductors H.K. Ltd.; Silicon Harbour Centre,
2, Dai King Street, Tai Po Industrial Estate, Tai Po, N.T., Hong Kong.
852-26629298

HOME PAGE: <http://motorola.com/sps/>

