

IEC Appliance Inlet C14, Snap-in Mounting, Front Side, Solder or Quick-connect Terminal



6100-4

**Description**

- Panel Mount:
  - Snap-in version from front side
- Appliance Inlet, Pin temperature 70 °C, Protection class I
- Solder terminals or quick connect terminals

**Approvals**

- VDE Certificate Number: 40015595
- UL File Number: E96454

**Other versions on request**

- Other panel thickness
- Types for enhanced glow wire test requirements acc. IEC 60695-2-11 to -13 for the use in unattended household equipment acc. IEC 60335-1

**References**

Alternative: protection class II version 6102-5

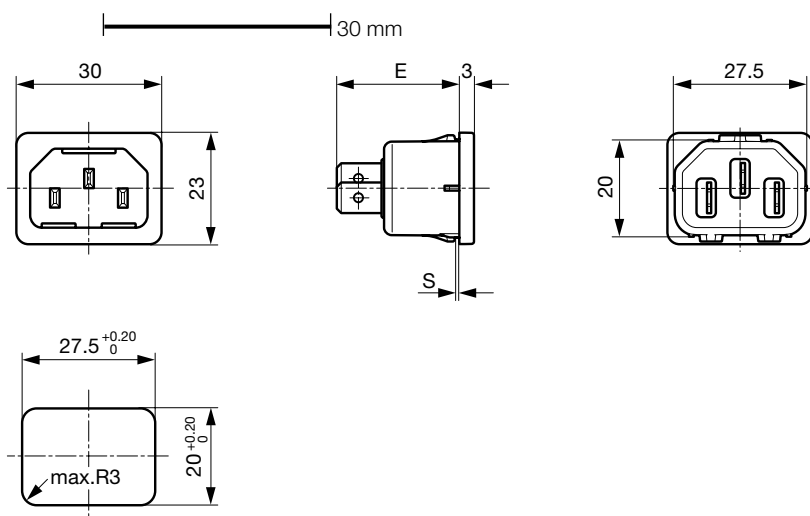
**Weblinks**

[pdf](#), [General Product Information](#), [Approvals](#), [RoHS](#), [CHINA-RoHS](#), [Mating Connectors](#), [e-Store](#), [SCHURTER-Stock-Check](#), [Distributor-Stock-Check](#), [Accessories](#), [Wire Harness](#)

**Technical Data**

Ratings IEC	10A / 250VAC; 50Hz
Ratings UL/CSA	15A / 250VAC; 60Hz
Dielectric Strength	> 2 kVAC between L-N > 2 kVAC between L/N-PE (1 min/50Hz)
Allowable Operation Temp.	-25 °C to 70 °C
Degree of Protection	from front side IP 30 acc. to IEC 60529
Protection Class	Suitable for appliances with protection class 1 acc. to IEC 61140
Terminal	Solder terminals or quick connect terminals
Panel Thickness s	Snap-in: 1/1.2/1.5/2/2.5/3 mm
Material: Housing	Thermoplastic, black, UL 94V-0

Appliance Inlet	C14 acc. to IEC/EN 60320-1, UL 498, CSA C22.2 no. 42 (for cold conditions) pin-temperature 70 °C, 10A, Protection Class 1
-----------------	---

**Dimensions**

E: Solder terminals 22.5 mm  
 E: Quick connect terminals 25.5 mm  
 S: 1.0; 1.2; 1.5; 2.0; 2.5; 3.0 mm

## Variants

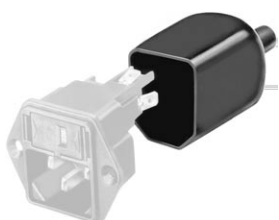
Type	Protection Class	Panel mounting	Panel Thickness s [mm]	Terminal	Order Number
6100-4	1	Snap-in	1	Quick connect terminals 4.8 x 0.8 mm	6100.4210
6100-4	1	Snap-in	1.2	Quick connect terminals 4.8 x 0.8 mm	6100.4212
6100-4	1	Snap-in	1.5	Quick connect terminals 4.8 x 0.8 mm	6100.4215
6100-4	1	Snap-in	1.6	Quick connect terminals 4.8 x 0.8 mm	6100.4216
6100-4	1	Snap-in	2	Quick connect terminals 4.8 x 0.8 mm	6100.4220
6100-4	1	Snap-in	2.5	Quick connect terminals 4.8 x 0.8 mm	6100.4225
6100-4	1	Snap-in	3	Quick connect terminals 4.8 x 0.8 mm	6100.4230
6100-4	1	Snap-in	1	Quick connect terminals 6.3 x 0.8 mm	6100.4310
6100-4	1	Snap-in	1.2	Quick connect terminals 6.3 x 0.8 mm	6100.4312
6100-4	1	Snap-in	1.5	Quick connect terminals 6.3 x 0.8 mm	6100.4315
6100-4	1	Snap-in	2	Quick connect terminals 6.3 x 0.8 mm	6100.4320
6100-4	1	Snap-in	2.5	Quick connect terminals 6.3 x 0.8 mm	6100.4325
6100-4	1	Snap-in	3	Quick connect terminals 6.3 x 0.8 mm	6100.4330
6100-4	1	Snap-in	1	Solder terminals 3.8 x 0.8 mm	6100.4110
6100-4	1	Snap-in	1.2	Solder terminals 3.8 x 0.8 mm	6100.4112
6100-4	1	Snap-in	1.5	Solder terminals 3.8 x 0.8 mm	6100.4115
6100-4	1	Snap-in	2	Solder terminals 3.8 x 0.8 mm	6100.4120
6100-4	1	Snap-in	2.5	Solder terminals 3.8 x 0.8 mm	6100.4125
6100-4	1	Snap-in	3	Solder terminals 3.8 x 0.8 mm	6100.4130

Articles for enhanced glow wire test requirements acc. IEC 60695-2-11 to -13 can be ordered with ending ".15" (xxxx.xxxx.15). They are suitable for the use in unattended household equipment acc. IEC 60335-1.

**Packaging unit** 50 Pcs

## Accessories

## Description



Assorted Covers  
Rear Cover

0859.0048

4311.9401

4311.9402

4311.9404



Wire Harness  
Wire harness for SCHURTER products



Cord retaining kits  
Cord retaining strain relief

Flat head, Z

0888.0021

Countersunk, C

4700.0003

## Mating Outlets/Connectors

## Category / Description



## Appliance OutletOverview complete

IEC Appliance Outlet F, Screw-on Mounting, Front Side, Solder Terminal	4787
IEC Appliance Outlet F, Snap-in Mounting, Front Side, Solder or Quick-connect Terminal	4788
IEC Appliance Outlet F or H, Screw-on Mounting, Front Side, Solder, PCB or Quick-connect Terminal	5091
IEC Appliance Outlet F or H, Screw-on Mounting, Front Side, Solder or Quick-connect Terminal	5092

[Appliance Outletfurther types to6100-4](#)

## ConnectorOverview complete



IEC Connector C15, Rewireable, Straight	0101
IEC Connector C15A, Rewireable, Straight	0102
IEC Connector C15A, Rewireable, Straight	0102-G
IEC Connector C15A, Rewireable, Angled	0112
IEC Connector C13, Rewireable, Angled	4012

[Connectorfurther types to6100-4](#)

...

## Power CordOverview complete



Power Cord with IEC Connector C13, Angled	0311
Power Cord with IEC Connector C13, Angled	3011
Power Cord with IEC Connector C13, Angled	3012
Power Cord with IEC Connector C13, Angled	3013
Power Cord with IEC Connector C13	3020

[Power Cordfurther types to6100-4](#)

...

## Power Supply or Interconnection CordOverview complete

Divers Power Supply and Interconnection Cords 10 A	Kabelverbindung/10 A
--	----------------------

[Power Supply or Interconnection Cordfurther types to6100-4](#)