

## FEATURES AND SPECIFICATIONS

### Features and Benefits

- Cavities for coaxial and high power inserts
- Dual opposing beam contact
- Board lock option
- Flux proof option
- Solder tails for 1.6mm (.062") and 2.4mm (.094") PCBs

### Reference Information

Product Specification: PS-85052-0001

Packaging: Tray

UL File No.: E29179

CSA File No.: LR19980-390

Mates With:

**85017**—Straight male style M "inverse"

**85009**—Right angle male style M

Use With: **85022**—Coaxial and high current/voltage contacts

### Electrical

Current: 1.5A

### Physical

Housing: Glass-filled polyester, UL 94V-0

Contact: Copper Alloy

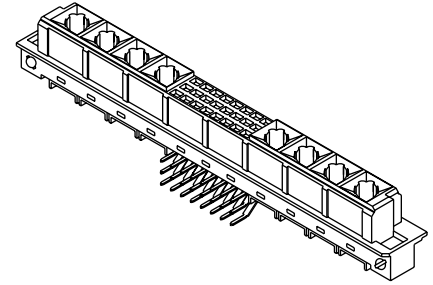
Operating Temperature: -55 to +125°C



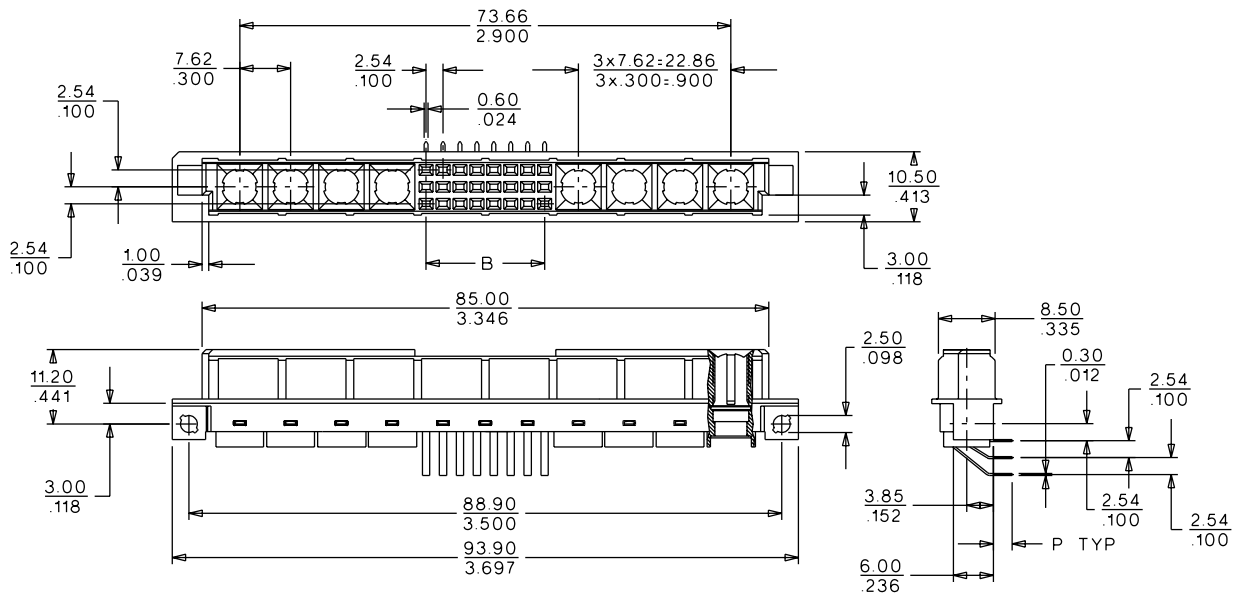
## 2.54mm (.100") Pitch DIN 41612/IEC 603-2 Mixed Layout Connector

### 85056

### Female Style M, Inverse



## CATALOG DRAWING (FOR REFERENCE ONLY)



## ORDERING INFORMATION AND DIMENSIONS

Circuits	Order No.		Contact Loading	Rows	Solder Tail Dimension P
	1	2			
24+8	85056-0282	85056-0000	Full	a, b, c	3.0 (.118)
		85056-0012			3.4 (.133)
42+6	85056-0232	85056-0024	Full	a, b, c	3.0 (.118)
		85056-0036			3.4 (.133)
60+4	85056-0115	85056-0048	Full	a, b, c	3.0 (.118)
		85009-0050			3.4 (.133)
78+2	85056-0103	85056-0062	Full	a, b, c	3.0 (.118)
		85056-0074			3.4 (.133)

For other versions contact Molex

\* Performance levels based on test conditions per DIN 41612, part 5:

1: >500 mating cycles. 10 day industrial environment (S02)

2: >400 mating cycles. 4 day industrial environment (S02)