

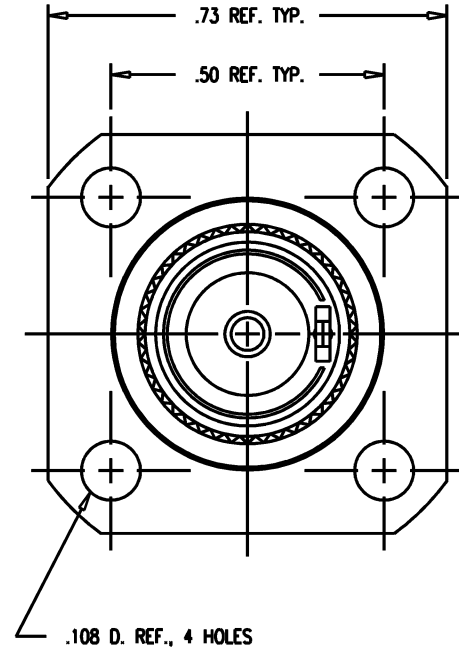
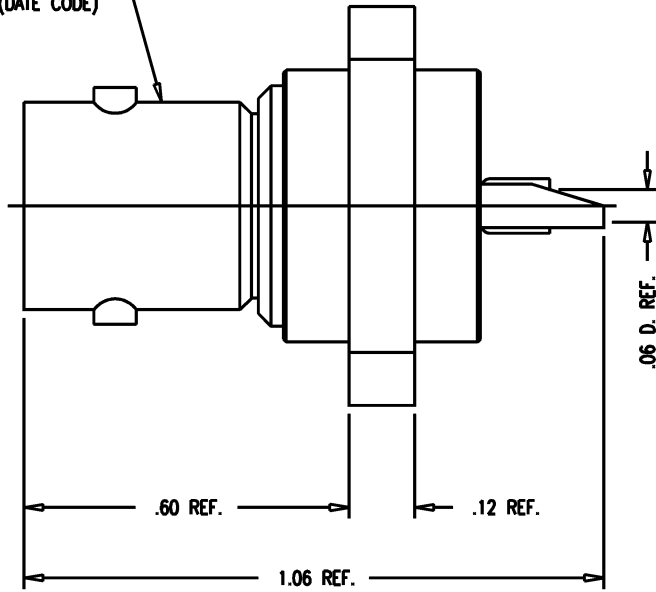
DASH NO.	M CODE	MADE FROM
----------	--------	-----------

GSD

KC-79-125

REVISIONS	
ISSUE	CHANGES
6	CN 33327 C REDRAWN WJM 10/18/91
7	CN 38655 C BDH 11/15/02

STAMP: KINGS KC-79-125
YRWK (DATE CODE)



NOTES:

1. INTERFACE PER MIL-STD-348, FIG. 301-2.
2. MATERIALS:
INSULATORS: TEFLON, ASTM-D-1457
CENTER CONTACT & LUG: BER. COPPER, ASTM-B-196
ALL OTHER METAL PARTS: BRASS, ASTM-B16
3. FINISHES:
CENTER CONTACT: HARD GOLD PLATE, PER MIL-G-45204
ALL OTHER METAL PARTS: KINGS TARNISH RESISTANT FINISH (TR-5)
4. ELECTRICAL CHARACTERISTICS:
NOMINAL IMPEDANCE: 50 OHMS
WORKING VOLTAGE: 500 VRMS
FREQUENCY RANGE: DC TO 4 GHz.

WJM1465

SCALE 4:1	
APPROX SURFACE AREA	
USED ON	
REF:	
RECEPTACLE, PANEL ISOLATED GROUND, BNC	
DRAWN WJM	DATE 10/18/91
DESIGN LI	DATE 11/27/91
APPR.	DATE

KINGS
ELECTRONICS CO., INC.
ROCK HILL, SOUTH CAROLINA 29730

GSD

KC-79-125