



# SPECIFICATION

PART NO. 101140F9162M44JZA

DESCRIPTION. RJ45 1X4 TAB DOWN W/LED & TRANSFORMER

CUSTOMER. \_\_\_\_\_

REV. : P0

REV. DATE : 2007 /April/ 12

	APPROVED	CHECKED	PREPARED
NAME	Kenny Chen	Bryant Tu	Violet Liu

## 實盈股份有限公司

## SUYIN CORPORATION

**TAIWAN HEAD OFFICE :**

NO. 377.Fu-Teh First Rd., Hsi-Chih,  
Taipei Hsien, Taiwan, R.O.C.  
TEL : (886) 2-2694-7697 (Rep)  
FAX : (886) 2-2694-8407 2694-8047

**SUYIN ELECTRONICS (DONGGUAN) CO., LTD.**

Suyin Road, San Zhong,  
Qing Xi Town, Dongguan City,  
TEL : (86) 769-8731-8688 (Rep)  
FAX : (86) 769-8731-8688

**HONG KONG BRANCH OFFICE :**

TEL : (852) 2-559-6017  
FAX : (852) 2-5596461  
E-mail : [suyin@netvigtor.com](mailto:suyin@netvigtor.com)

**KOREA BRANCH OFFICE :**

TEL : (82) 2-2149-8856  
FAX : (82) 2-2149-88591  
E-mail : [yang@sdint.co.kr](mailto:yang@sdint.co.kr)

**European Central Organization :**

TEL : (+49) 0-8561/238-8880  
FAX : (+49) 0-8561/238/8888  
E-mail : [mail@suyin.de](mailto:mail@suyin.de)

**JAPAN BRANCH OFFICE :**

TEL : (81) 45-266-2488  
FAX : (81) 45-266-2489  
E-mail : [kanashiro@suyinjapan.com](mailto:kanashiro@suyinjapan.com)

**SINGAPORE BRANCH OFFICE :**

90 Lorong 23 Geylang #02-01/02/03 Yong  
DA Industrial Building Singapore 388393  
TEL : (65) 6256-6481  
FAX : (65) 6256-6483  
E-mail : [alice@suyin.com.sg](mailto:alice@suyin.com.sg)

**U.S.A BRANCH OFFICE :**

TEL : (1) 714-750-0378  
FAX : (1) 714-750-0379  
E-mail : [steven@suyinusa.com](mailto:steven@suyinusa.com)

**ISRAEL BRANCH OFFICE :**

TEL : (1) 714-750-0378  
FAX : (1) 714-750-0379  
E-mail : [sales@suyin.co.il](mailto:sales@suyin.co.il)

# SUYIN CORPORATION

## SPECIFICATION

DOCUMENT NO.: 101140F9162M44JZA SUYIN P/N. : 101140F9162M44JZA CUSTOMER P/N. :	DESC. : <b>RJ45 1X4 TAB DOWN W/LED &amp; TRANSFORMER</b>
--	--

### 1 P/N SPECIFICATION

SUYIN P/N: **101 140 F**    **9** **16** **2** **M4** **4J** **ZA**  
A    B    C    D    E

A. Transformer Speed: **10/100 Base-T**  
 LED Polarity: **Normal**

B. Schematic: Refers to section 5.1

C. LED Color Code:

w/o LED: 0		RIGHT LED					
		YELLOW	GREEN	ORANGE	G/O	G/Y	O/G
LEFT LED	YELLOW	1	7	D	K	N	R
	GREEN	2	8	E	L	P	S
	ORANGE	3	9	F	M	Q	T
	G/O	4	A	G	/	/	/
	G/Y	5	B	H	/	/	/
	O/G	6	C	J	/	/	/

D. RJ Contact Plating:

- M2: Gold Flash selected Gold plating over 50 u" min. Nickel
- M3: 10u" selected Gold plating over 50 u" min. Nickel
- M4: 15u" selected Gold plating over 50 u" min. Nickel
- M5: 30u" selected Gold plating over 50 u" min. Nickel
- M6: 50u" selected Gold plating over 50 u" min. Nickel.

E. Mechanical Series: Refers to section 2.1~2.2

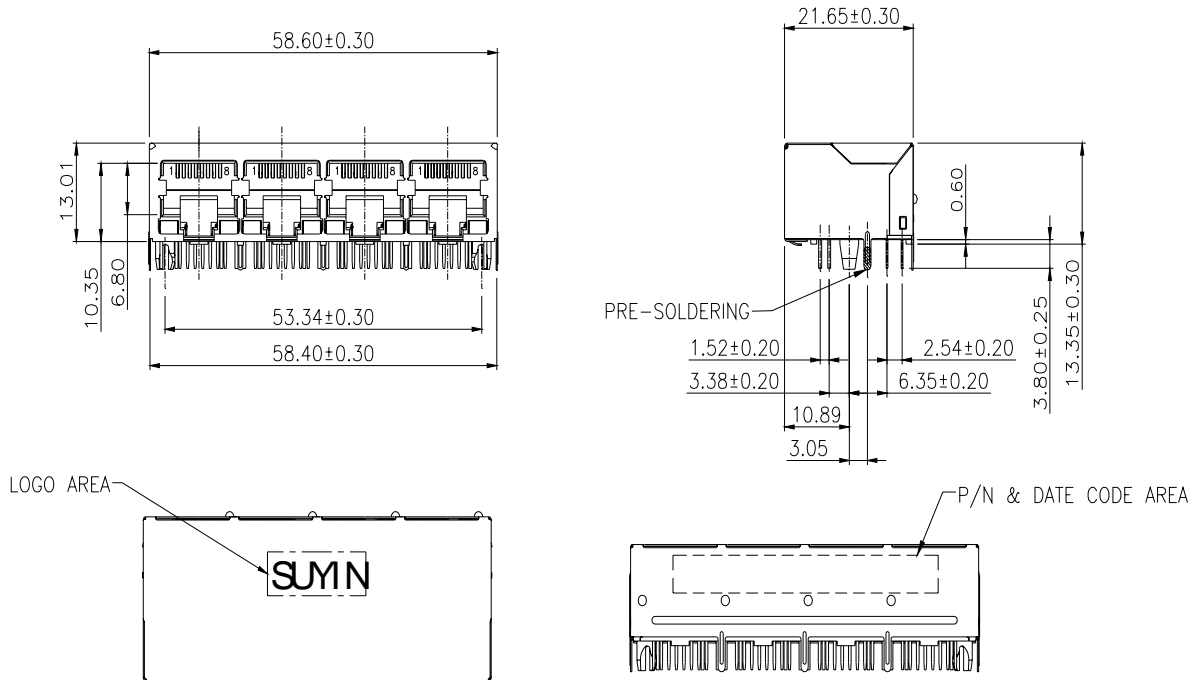
# SUYIN CORPORATION

## SPECIFICATION

DOCUMENT NO.: 101140F9162M44JZA SUYIN P/N. : 101140F9162M44JZA CUSTOMER P/N. :	DESC. : RJ45 1X4 TAB DOWN W/LED & TRANSFORMER
--	--

### 2 MECHANICAL DIMENSIONS

#### 2-1 Dimensions



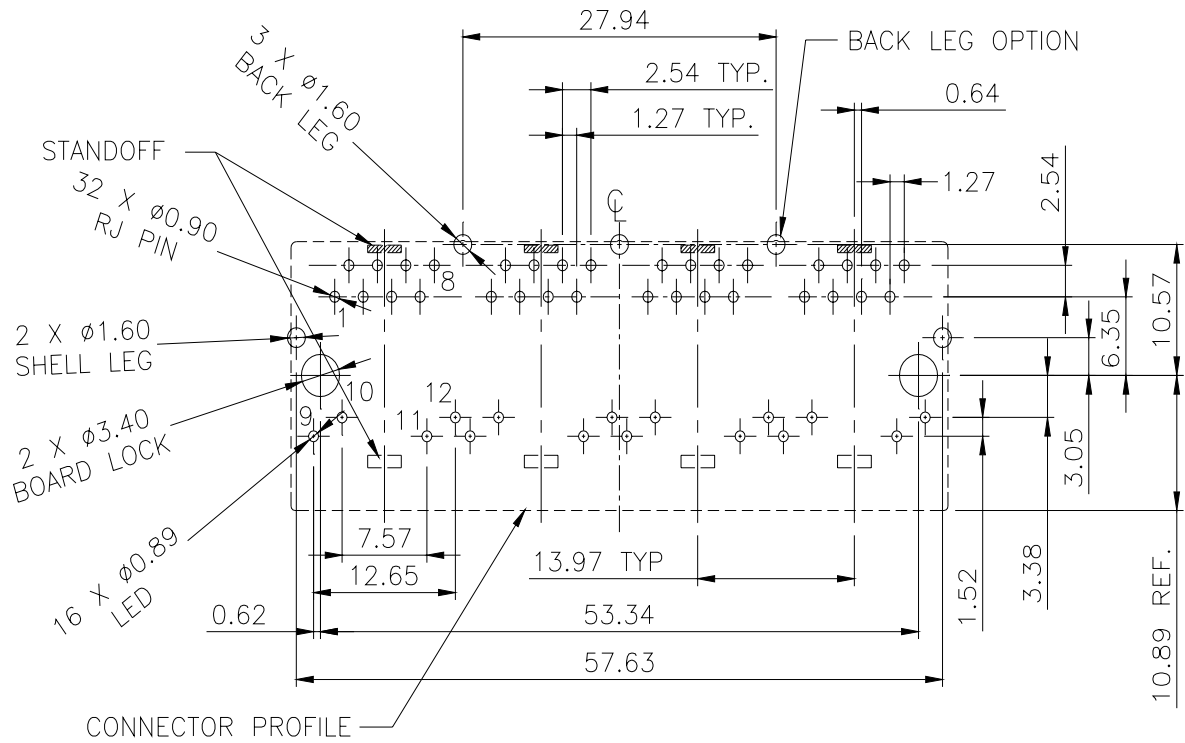
General Tolerance : 0~10mm:  $\pm 0.10$   
 10~30mm:  $\pm 0.20$   
 30~ mm:  $\pm 0.30$

# SUYIN CORPORATION

## SPECIFICATION

DOCUMENT NO.: 101140F9162M44JZA SUYIN P/N. : 101140F9162M44JZA CUSTOMER P/N.:	DESC. : RJ45 1X4 TAB DOWN W/LED & TRANSFORMER
---	--

### 2-2 PCB Layout



RECOMMENDED PCB LAYOUT FOR  
COMPONENT SIDE

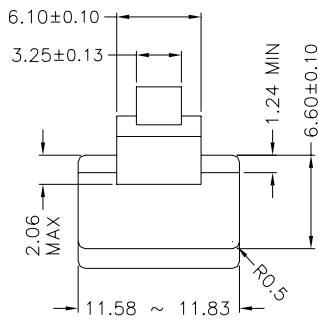
# SUYIN CORPORATION

## SPECIFICATION

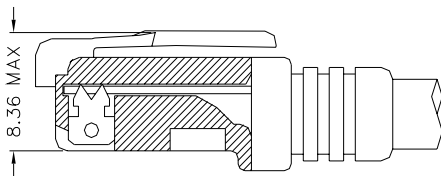
DOCUMENT NO.: 101140F9162M44JZA  
 SUYIN P/N. : 101140F9162M44JZA  
 CUSTOMER P/N. :

DESC. : RJ45 1X4 TAB DOWN W/LED &  
 TRANSFORMER

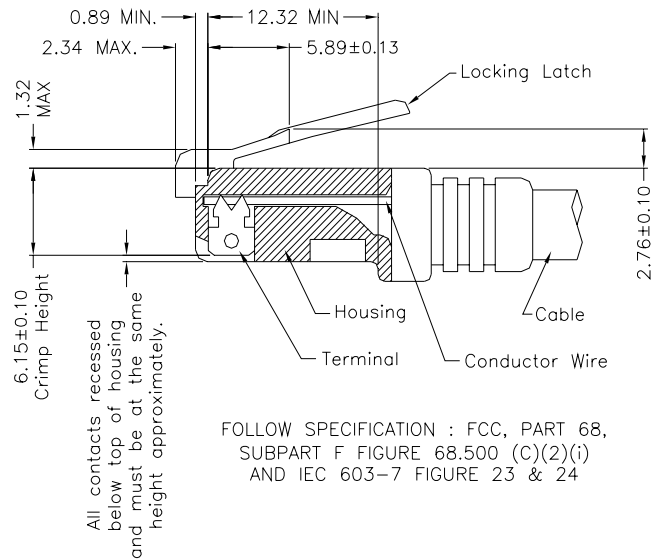
### 3 RECOMMEND RJ PLUG SPECIFICATION



- \* There must be no damage to housing or locking latch. There must be no nicks or cuts in cable.
- \* Durability : 750 cycles generally



FOLLOW SPECIFICATION : FCC, PART 68, SUBPART F  
 FIGURE 68.500 (C)(2)(ii)



FOLLOW SPECIFICATION : FCC, PART 68,  
 SUBPART F FIGURE 68.500 (C)(2)(i)  
 AND IEC 603-7 FIGURE 23 & 24

# SUYIN CORPORATION

## SPECIFICATION

DOCUMENT NO.: 101140F9162M44JZA SUYIN P/N. : 101140F9162M44JZA CUSTOMER P/N. :	DESC. : RJ45 1X4 TAB DOWN W/LED & TRANSFORMER
--	--

### 4 MATERIAL SPECIFICATION

- 4-1 RoHS Compliance per EU Directive 2002/95/EC
- 4-2 Plastic Housings:
  - A. Housings: Nylon9T, UL 94V-0, Black
- 4-3 Terminals:
  - A. RJ Contacts: Phosphor Bronze
  - B. RJ Solder Pins: Brass
  - C. LED Solder Pins: Brass
  - D. Transformer Housing Solder Pins: Brass
- 4-4 Shields:
  - A. Shield: Stainless Steel
- 4-5 Plating:
  - A. RJ Contacts: As P/N specified
  - B. RJ Solder Pins: 100u" min. Matte Tin over 50u" Nickel under-plating
  - C. LED Solder Pins: 100u" min. Tin over 50u" Nickel under-plating
  - D. Transformer Housing Solder Pins: 100u" min. Matte Tin over 50u" Nickel under-plating
  - E. Shield Grounding Legs: Pre-soldering, Sn/ Ag/ Cu ( 96.5/ 3/ 0.5 )
- 4-6 PCB: FR-4, Two Layer PCB
- 4-7 Internal Solder Joints: Sn/ Ag/ Cu ( 96.5/ 3/ 0.5 )

# SUYIN CORPORATION

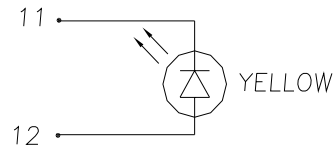
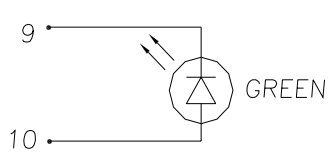
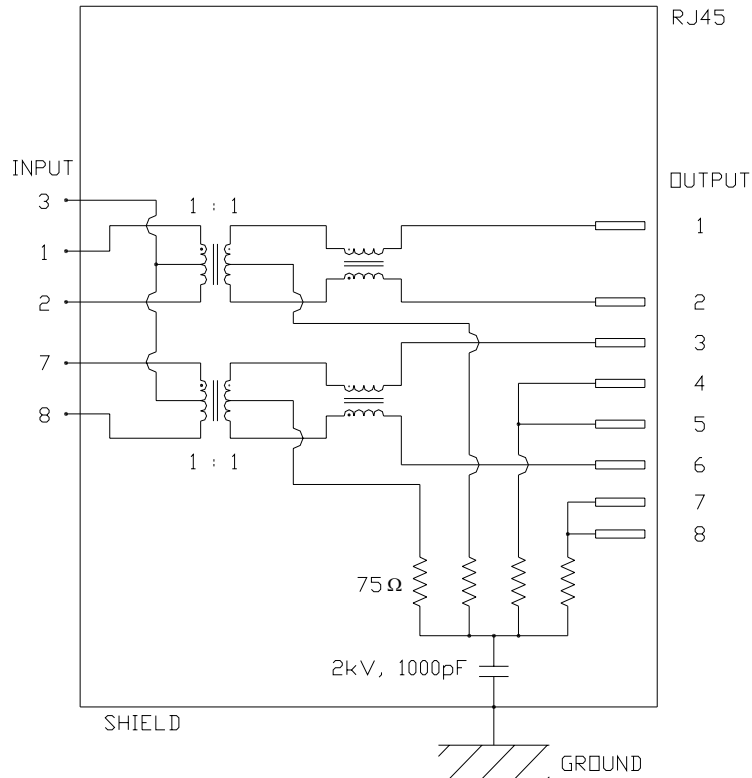
## SPECIFICATION

DOCUMENT NO.: 101140F9162M44JZA  
 SUYIN P/N. : 101140F9162M44JZA  
 CUSTOMER P/N. :

DESC. : RJ45 1X4 TAB DOWN W/LED  
 & TRANSFORMER

### 5 ELECTRICAL CHARACTERISTICS

#### 5-1 Schematic



# SUYIN CORPORATION

## SPECIFICATION

DOCUMENT NO.: 101140F9162M44JZA SUYIN P/N. : 101140F9162M44JZA CUSTOMER P/N. :	DESC. : RJ45 1X4 TAB DOWN W/LED & TRANSFORMER
--	--

5-2 Transmitter & Receiver Filter:

Insertion Loss (dB MAX)	Return Loss at 100 (dB MIN)		
1~100MHz	1~30MHz	30~60MHz	60~80MHz
-1.0	-18	-16	-12

5-3 Common Mode Rejection @ 1~100 MHz: -30dB MIN

5-4 Cross Talk @ 1~100 MHz: -35dB MIN

5-5 Inductance @ 100KHz/ 0.1V, 8mA DC BIAS: 350μH MIN

5-6 HiPot Test: 1500Vrms, 60sec

5-7 LED:

Forward Voltage (V) @ 20mA	
Typical	MAX
2.2	2.6

## 6 OPERATING & TEST REQUIREMENTS

Product is designed to meet electrical, mechanical and environmental performance requirements specified below. All tests are performed at ambient environmental conditions per MIL-STD-1344A and EIA-364 unless otherwise specified

6-1 Operating Temperature Range: 0 TO +70

6-2 Storage Temperature: -40 to 85

6-3 Ratings:

1. Insulation Resistance: 500M Ohm (MIN)
2. Dielectric Withstanding Voltage: 1000 VAC



# SUYIN CORPORATION

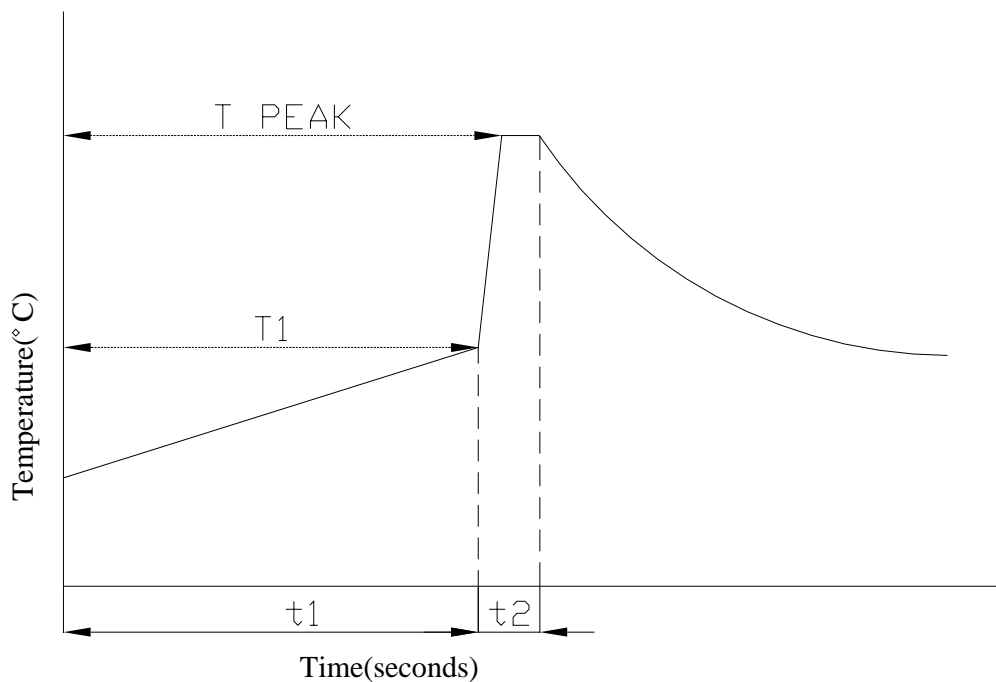
## SPECIFICATION

DOCUMENT NO.: 101140F9162M44JZA SUYIN P/N. : 101140F9162M44JZA CUSTOMER P/N. :	DESC. : RJ45 1X4 TAB DOWN W/LED & TRANSFORMER
--	--

### 7 STORAGE REQUIREMENTS

All products shall be packaged against any physical damage and corrosion during shipment or in storage.

### 8 RECOMMEND WAVE SOLDERING PROFILE



PARAMETER	REFERENCE	LEAD FREE SPECIFICATION
PREHEAT TEMPERATURE GRADIENT		+1~4 /sec
PREHEAT TIME	t1	2~3 MIN
PREHEAT TEMPERATURE	T1	>100
SOLDER POT TEMPERATURE	T PEAK	260 ±5
DWELL TIME	t2	5 SEC
PEAK BOARD TOP TEMPERATURE		190
COOLING TEMPERATURE GRADIENT		-6 /SEC MAX.