

Soft Ferrite **242-512**

Multi-hole cores

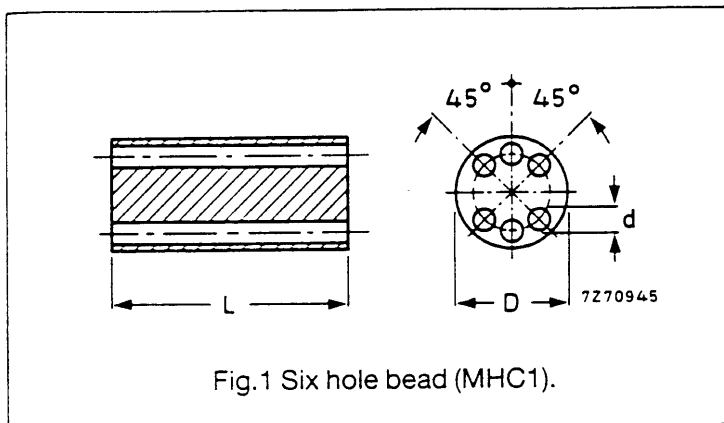


Fig.1 Six hole bead (MHC1).

MHC 6

MULTI-HOLE CORES

GRADE	DIMENSIONS			ORDERING CODE
	D (mm)	d (mm)	L (mm)	
3B1	6 ± 0.3	0.7 + 0.2	10 ± 0.5	4312 020 3150
4B1	6 ± 0.3	0.7 + 0.2	10 ± 0.5	4312 020 3155

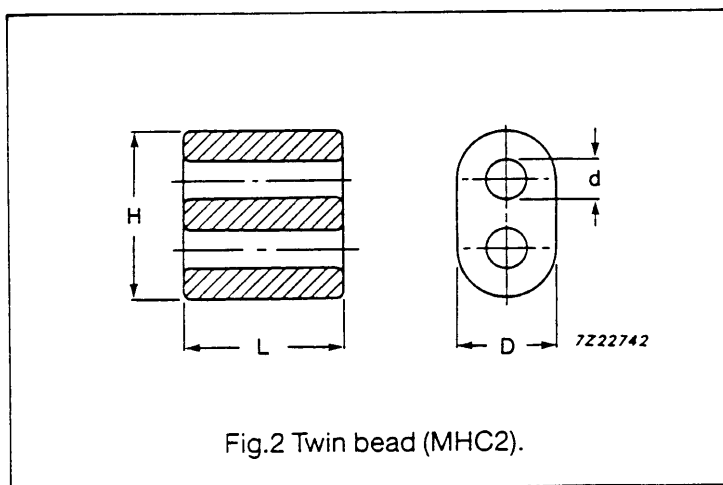


Fig.2 Twin bead (MHC2).

GRADE	DIMENSIONS				ORDERING CODE
	D (mm)	d (mm)	L (mm)	H (mm)	
4B1	8.5 - 0.5	3.5 ± 0.5	8 ± 0.3	14 ± 0.5	4312 020 3157
4B1	8.5 - 0.5	3.5 ± 0.5	14 ± 0.4	14 ± 0.5	4312 020 3152
4B1	8.0 ± 0.3	3 ± 0.3	6 ± 0.3	13 ± 0.3	4313 020 4003*
3C85	8.0 ± 0.3	3 ± 0.3	6 ± 0.3	13 ± 0.3	4313 020 4005*

* Chamfered holes and sides.

Material grade specification

4B1

SYMBOL	CONDITIONS	VALUE	UNIT
μ_i	≤ 10 kHz, 0.1 mT, 25 °C	$250 \pm 20\%$	
B	10 kHz, 250 A/m, 25 °C	≈ 310	mT
	10 kHz, 250 A/m, 100 °C	≈ 260	mT
$\tan\delta/\mu_i$	1 MHz, 0.1 mT, 25 °C	$\leq 90 \cdot 10^{-6}$	
	3 MHz, 0.1 mT, 25 °C	$\leq 300 \cdot 10^{-6}$	
ρ	DC, 25 °C	$\approx 10^5$	Ωm
T_c		≥ 250	°C
density		≈ 4600	kg/m^3

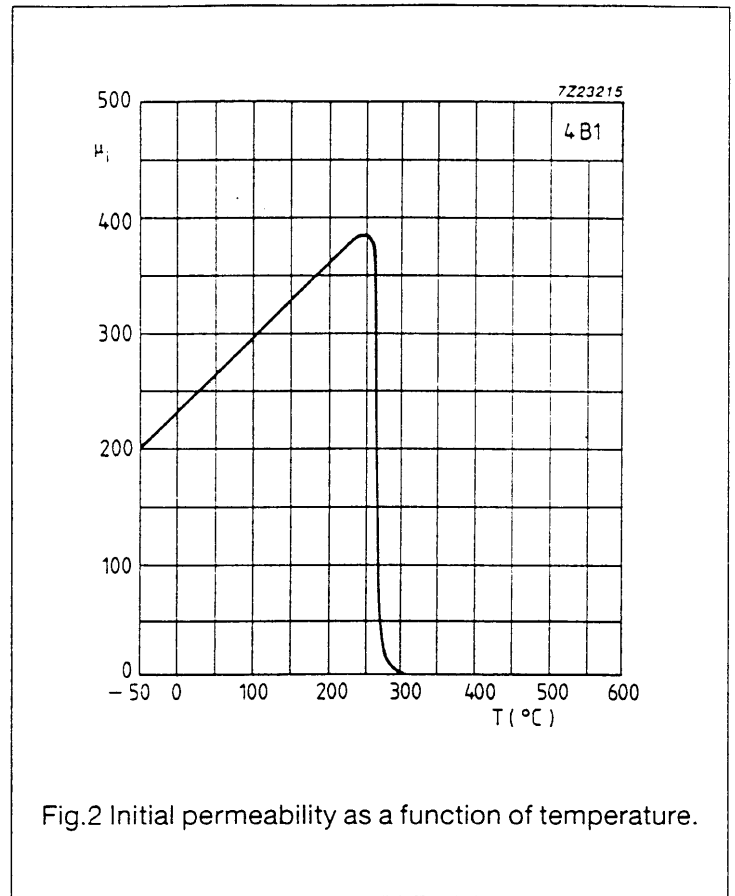


Fig.2 Initial permeability as a function of temperature.

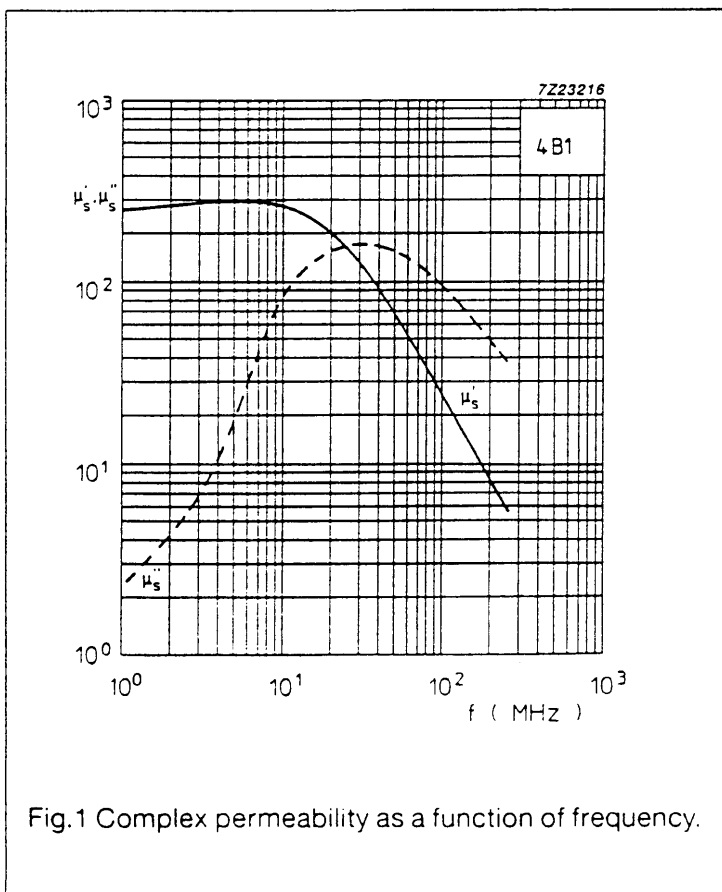


Fig.1 Complex permeability as a function of frequency.

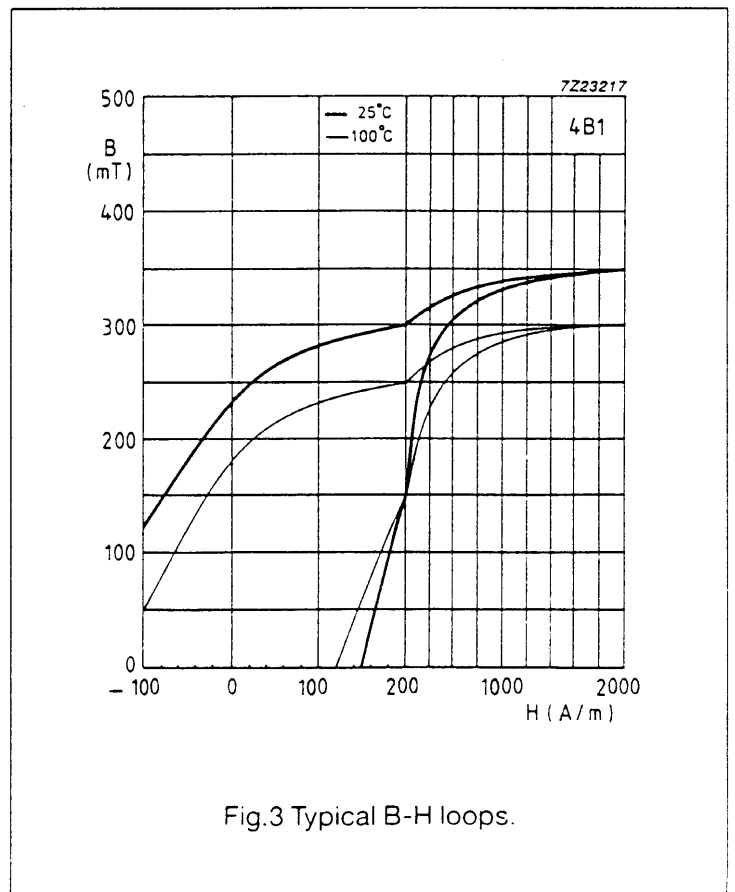


Fig.3 Typical B-H loops.