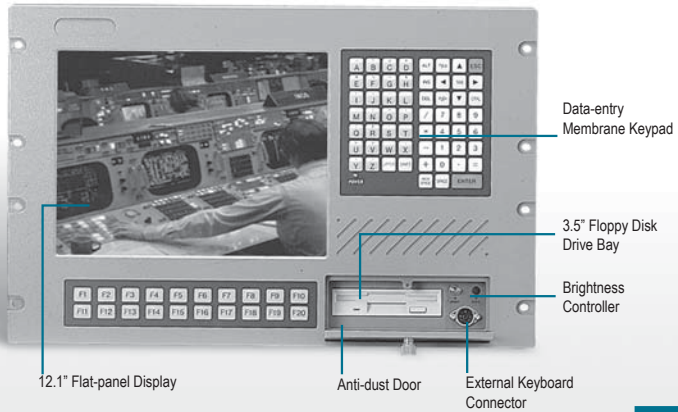


# AWK-3201 (AMB-632)

## Industrial Workstation with 12" TFT LCD and 10 Expansion Slots

08

Industrial Workstation Solutions

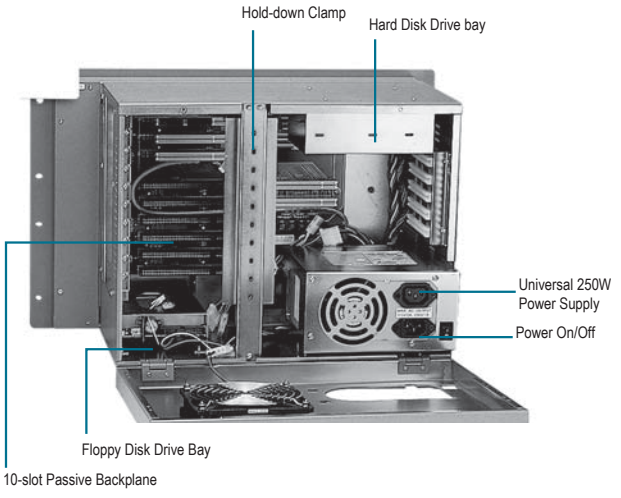


### Features

- 12.1" SVGA (800 x 600) Color TFT LCD
- Aluminum Alloy Front Panel and Heavy-duty Steel Chassis
- Disk Drive Bay for Floppy Disk Drive and 3.5" Hard Disk Drive
- Two Sealed Membrane Keyboards, 59 Data-keys and 20 Function Keys
- PCI x 4, PICMG x 2, ISA Bus Passive Backplane x 4

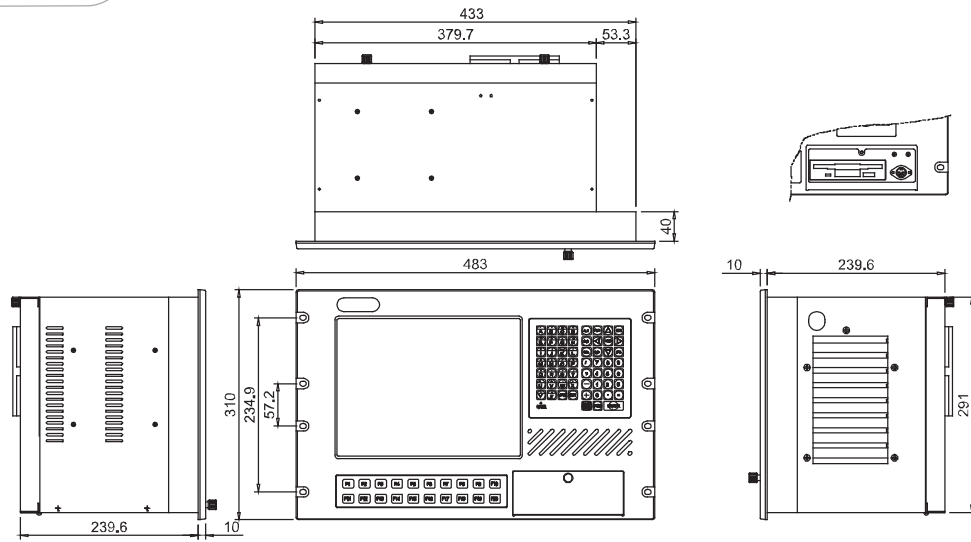


### Specifications



System	
LCD/CRT Controller	C&T 69000 VGA controller with 2MB SDRAM. CRT & LCD panel support
Storage Disk Drive (Optional)	3.5" IDE Hard Disk Drive and 3.5" Floppy Disk Drive
USB Connector	Dual USB ports
Membrane Keypads	One with 59 data-keys, one with 10 function keys and 10 programmable function keys
Keyboard/Mouse Connector	1 PS/2 connector on front panel with anti-dust door
Expansion Slot	PCI x 4, ISA x 4 and PICMG x 2
Power Supply	Universal 250W switching power supply
OS Support	MS DOS, Windows® 2000
Mechanical	
Construction	Aluminum alloy front panel and heavy-duty steel chassis
Front Panel Color	PMS-403C (military green)
Dimension	19" (W) x 12.2" (H) x 9.4" (D) (483mm x 310mm x 239.6mm)
Carton Dimension	24.2" (W) x 15.0" (H) x 20.8" (D) (615mm x 382mm x 530mm)
Gross Weight	28.7 lb (13 Kg)
Environmental	
Operating Temperature	32°F ~ 122°F (0°C ~ 50°C)
Storage Temperature	-4°F ~ 140°F (-20°C ~ 60°C)
Operating Humidity	10 to 95%, non-condensing
Vibration	Random non-operation 2G, 5 ~ 500Hz
Shock	10G peak acceleration (11 msec. Duration)
EMC	CE/FCC Class A
Power Supply	
AC Model	Input: 85 - 265V AC@47 - 63Hz Output: +5V@24A; +12V@12A; -5V@1A; -12V@1A
LCD	
Display Type	12.1" color TFT LCD
Max. Resolution	800 x 600
Max. Colors	262K
Dot Size	0.3075mm x 0.3075mm
Luminance (Typical)	350 cd/m²
Viewing Angle	140°(H) / 120°(V)
Back Light MTBF (Hours)	50,000

## Dimension Unit: mm



Touchscreen (Optional)	
Type	8-wire, Analog Resistive
Resolution	1024 x 1024
Light Transmission	75%
Lifetime	1 million activations
OS Support	MS DOS, Windows® 2000

## Ordering Information

- **AMB-632HT-B10**  
12.1" TFT, MBC-2690 VGA card, 10-slot ISA Backplane, 250W AC Power Supply
- **AMB-632HTT-B10**  
AMB-632HT-B10 with Resistive Touchscreen

## Assembly Suggestion

- **TF-FSB-860B Series**  
Intel® Pentium® 4 PICMG Full-size SBC
- **1759200155**  
CPU Cooler for TF-FSB-860B Series