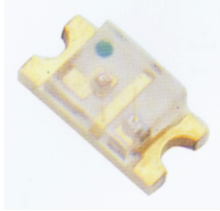
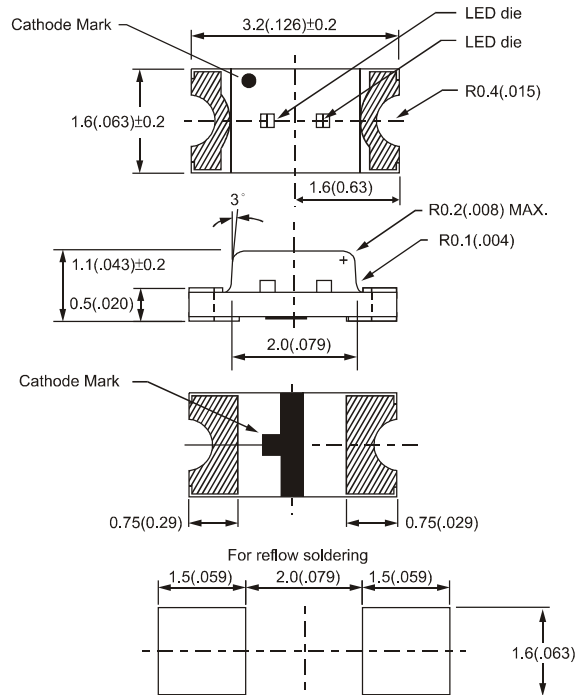




SURFACE MOUNT DUAL COLOR LED LAMPS



BL-Hxxxx33 (1206) Series



Absolute Maximum Ratings (Ta=25°C)

	UNIT	SPEC.
IF	mA	30
IFp	mA	100
VR	V	5
Topr	°C	-25 ~ +80
Tstg	°C	-30 ~ +85

- NOTE:
 1. All dimensions are in millimeters (inches).
 2. Tolerance is ±0.10(.004") unless otherwise specified.
 3. Specifications are subject to change without notice.

Part No.	Chip				Lens Appearance	Electro-optical Data (At 20mA)				Viewing Angle 2θ 1/2 (deg)
	Material	Emitted Color	λp (nm)	λd (nm)		Vf (V)		Iv (mcd)		
						Typ.	Max.	Min.	Typ.	
BL-HD1X133	GaAlAs/GaAs	Super Red	660	643	Water Clear	1.8	2.6	12.3	25.0	120°
	GaP/GaP	Hi-Eff Green	568	570		2.2	2.6	5.5	12.0	
BL-HE1G033	GaAsP/GaP	Hi-Eff Red	640	628		2.0	2.6	5.5	12.0	
	GaP/GaP	Green	568	571		2.2	2.6	2.4	10.0	
BL-HE1Y033	GaAsP/GaP	Hi-Eff Red	640	628		2.0	2.6	5.5	12.0	
	GaAsP/GaP	Yellow	583	585		2.1	2.6	2.4	10.0	
BL-HE1W033	GaAsP/GaP	Hi-Eff Red	640	628		2.0	2.6	5.5	12.0	
	GaP/GaP	Pure Green	557	563		2.2	2.6	0.5	3.0	
BL-HA0B433	GaAsP/GaP	Amber	610	606		2.1	2.6	2.4	8.0	
	AlInGaN	Super Blue	470	470		3.5	4.0	28.0	40.0	
BL-HG0Y033	GaP/GaP	Green	568	571		2.2	2.6	2.4	10.0	
	GaAsP/GaP	Yellow	583	585		2.1	2.6	2.4	10.0	