



TAI-SAW TECHNOLOGY CO., LTD.

No. 3, Industrial 2nd Rd., Ping-Chen Industrial District,
Taoyuan, 324, Taiwan, R.O.C.

TEL: 886-3-4690038 FAX: 886-3-4697532

E-mail: tstsales@mail.taisaw.com Web: www.taisaw.com

Approval Sheet For Product Specification

Issued Date:

Product Name: SAW Filter 500MHz SMD 3.0×3.0mm

TST Parts No.:TA0506A

Customer Parts No.:_____

Company: _____
Division: _____
Approved by : _____
Date: _____

Checked by: _____ Elvis Chiu

Approval by: _____ Francis Chen

Date: _____ 2005/08/15



TAI-SAW TECHNOLOGY CO., LTD.

No. 3, Industrial 2nd Rd., Ping-Chen Industrial District,
Taoyuan, 324, Taiwan, R.O.C.

TEL: 886-3-4690038 FAX: 886-3-4697532

E-mail: tstsales@mail.taisaw.com Web: www.taisaw.com

SAW Filter 500 MHz

MODEL NO.: TA0506A

REV. NO.:1

A. MAXIMUM RATING:

1. Input Power Level: 5 dB_m
2. DC voltage: 5 V
3. Operating Temperature: -20°C to 70°C
4. Storage Temperature: -40°C to +85°C

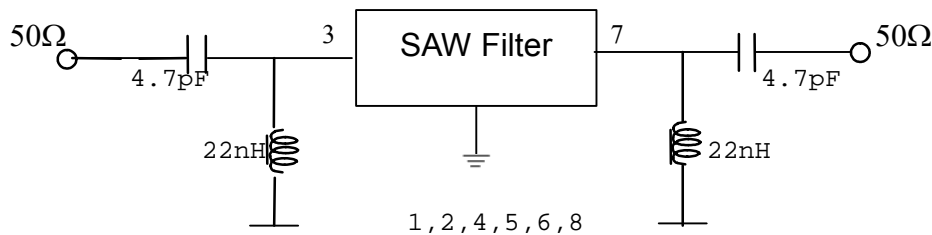
RoHS Compliant
Lead free
Lead-free soldering

B. CHARACTERISTICS:

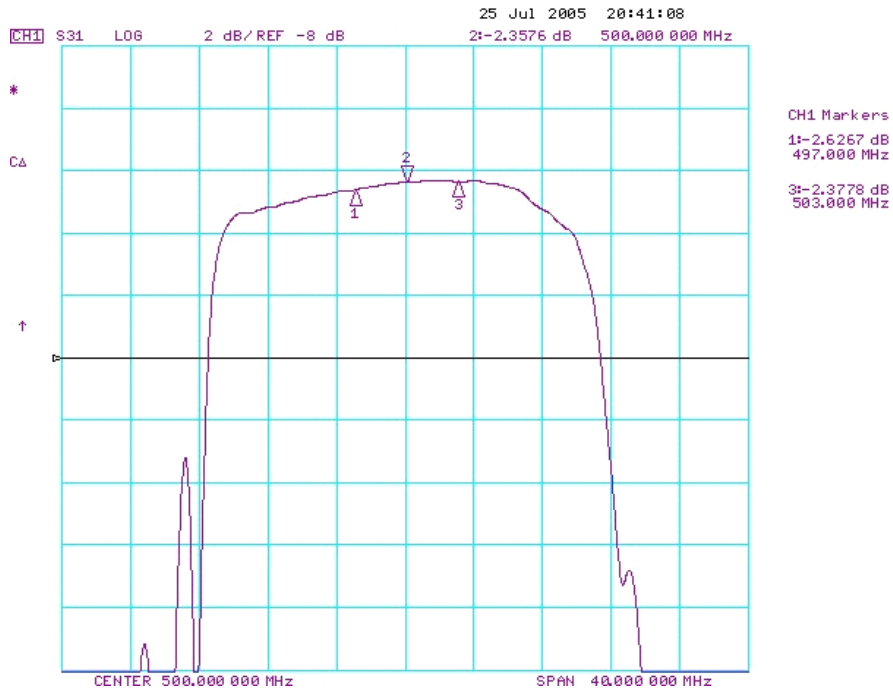
Item				Min.	Typ.	Max.
Center frequency	Fc	MHz		-	500	-
Insertion loss	497 ~ 503 MHz	IL	dB	-	2.7	4.7
Amplitude ripple	497 ~ 503 MHz		dB	-	0.4	2.0
Attenuation (Reference level from 0dB)						
	412 ~ 434	MHz	dB	39	50	-
	434 ~ 465	MHz	dB	33	43	-
	553 ~ 567	MHz	dB	33	50	-
	567 ~ 588	MHz	dB	40	55	-

C. MEASUREMENT CIRCUIT:

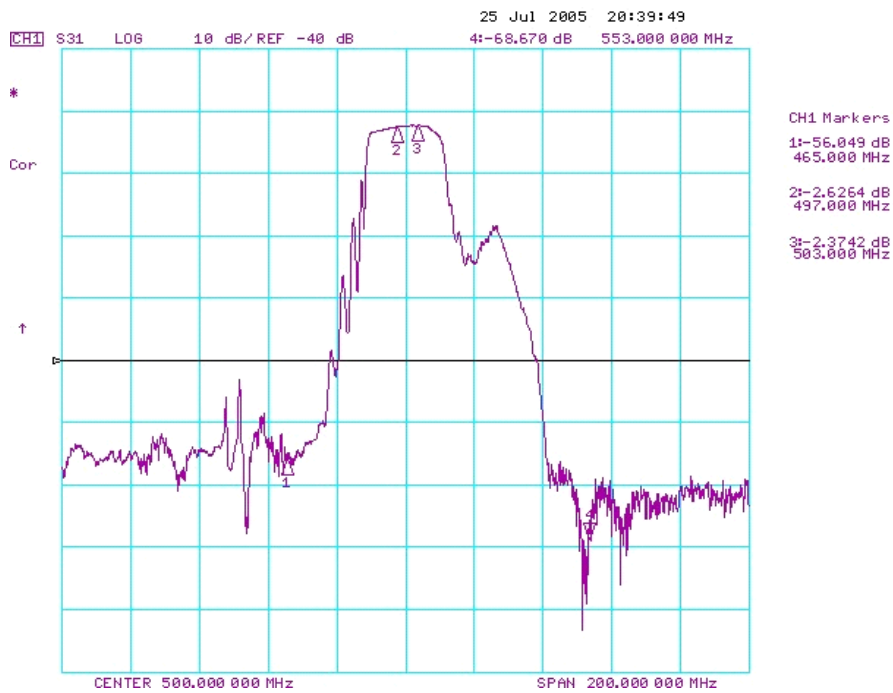
HP Network analyzer



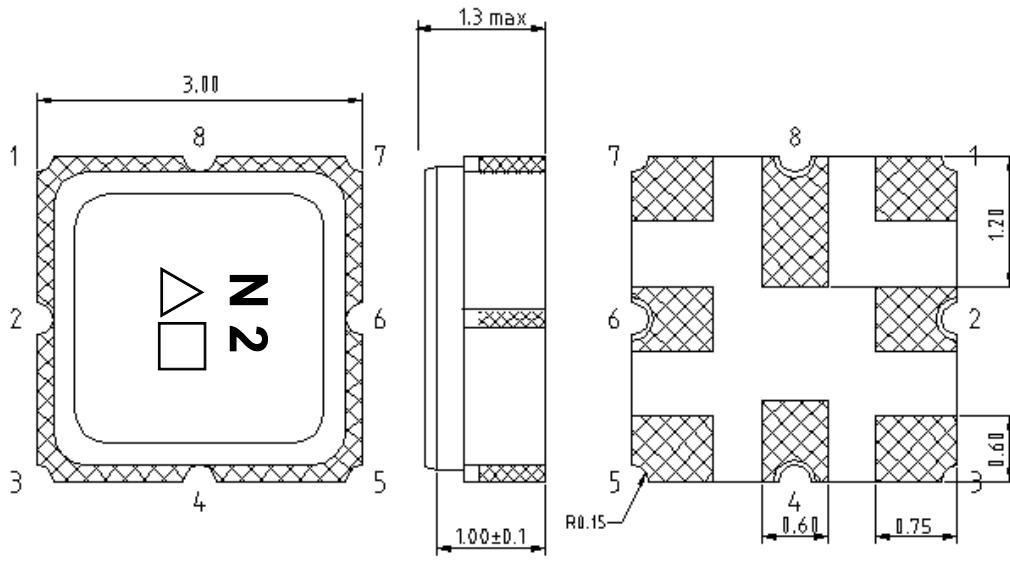
D. TRANSFER FUNCTION :



Wideband

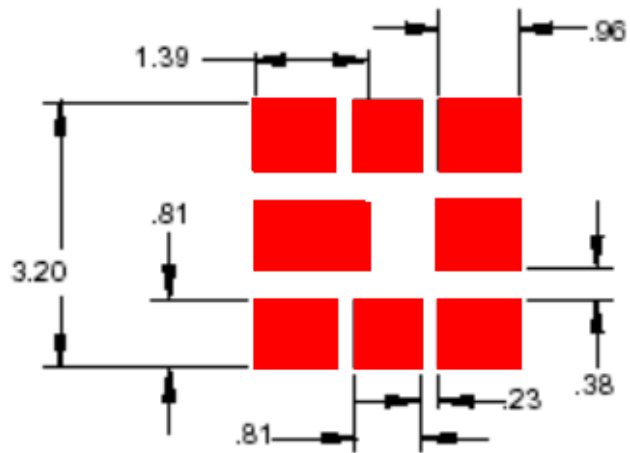


E.OUTLINE DRAWING:



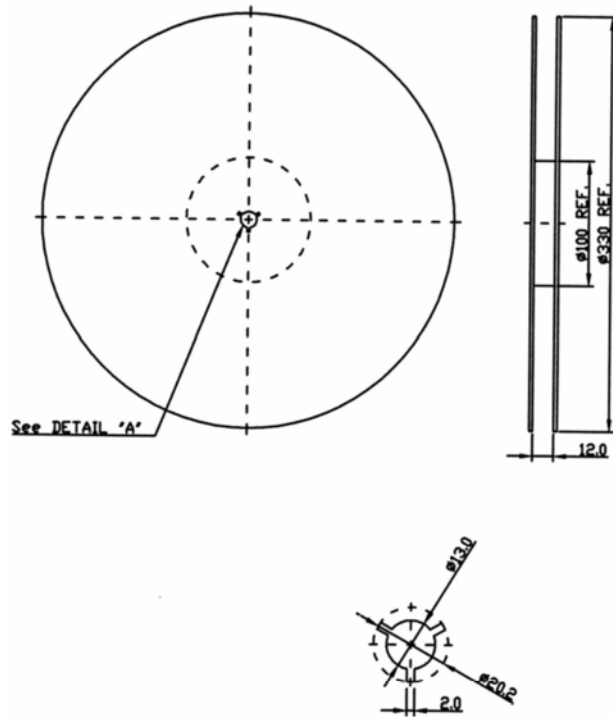
3: Input
 7: Output
 1,2,4,5,6,8: Ground
 △: Year code
 □: Date code
 Unit: mm

F.PCB FOOTPRINT:



G. PACKING:

1. REEL DIMENSION



2. TAPE DIMENSION

