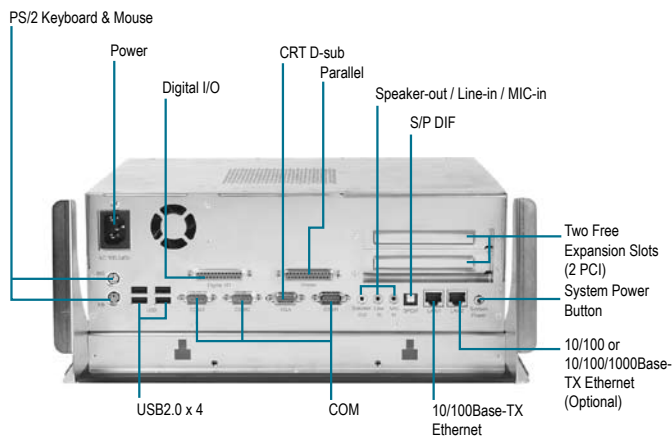
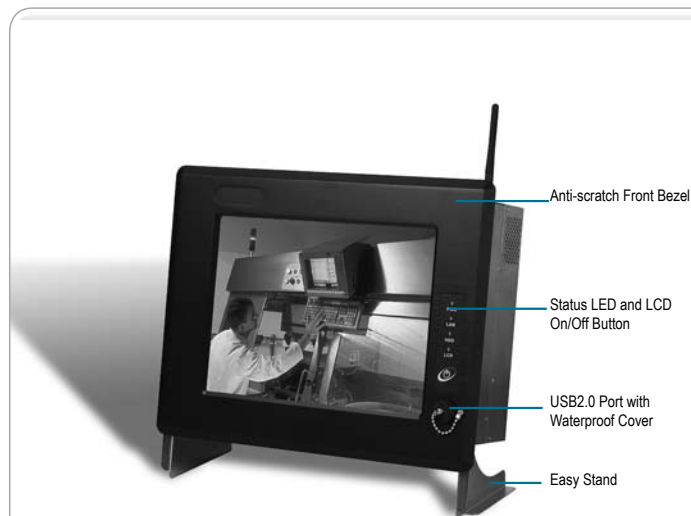


12.1" Intel® Pentium® 4 And Celeron® Processors Robust Panel PC With 2 Expansion Slots



Features

- 12.1" TFT SVGA (800 x 600) LCD
- Socket 478-Based Intel® Pentium® 4 And Celeron® Processors
- Anti-Vibration Disk Drive Bay For Hard Disk Drive
- IP-65 Certified Anti-Scratch & Waterproof Aluminum Front Panel With USB Port
- Up To 16 In Or 16 Out Digital I/O
- Two PCI Expansion Slots
- Resistive TouchScreen (Optional)



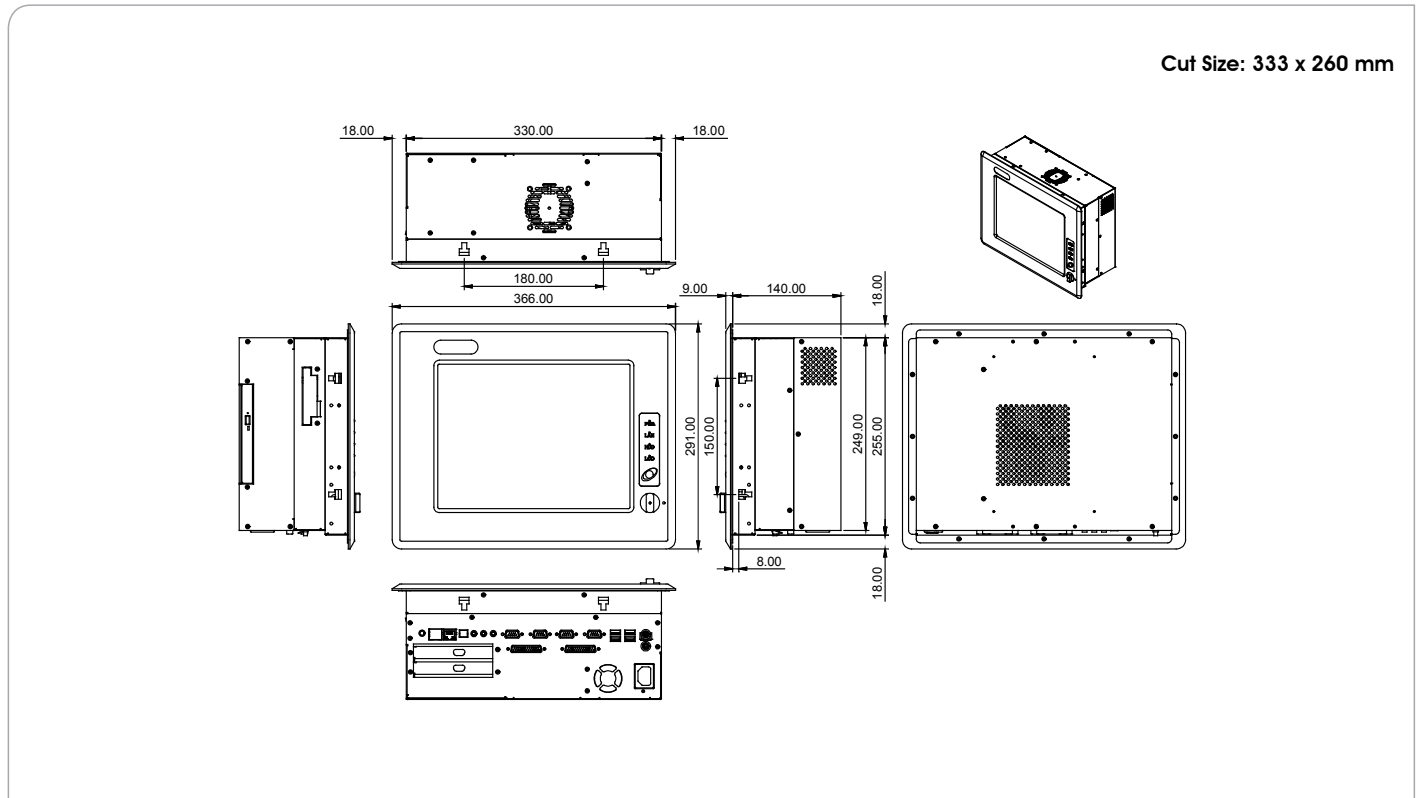
Specifications

System	
Processor (Optional)	Socket 478-based Intel® Pentium® 4 (up to 2.8 GHz) and Celeron® processors (FSB 400/533 MHz)
Memory (Optional)	184-pin DDR SDRAM (200/266/333 MHz), up to 1 GB
LCD/CRT Controller	Intel® i845GV, AGP 4X
Ethernet	Intel® 82562, 10/100Base-TX, RJ-45 x 1
I/O Port	3 serial ports: RS-232 x 2, RS-232/422/485 x 1 (COM 4 is reserved for TouchScreen) Parallel x 1 (supports ECP/EPP) PS/2 mouse x 1 PS/2 keyboard x 1 VGA x 1 USB2.0 x 4 (on rear chassis) USB2.0 x 1 (on front panel) (protectable by BIOS) MIC-in, Line-in, Speaker-out, S/P DIF-out Digital I/O x 1 (Supports up to 16 in or 16 out)
Storage Disk Drive	Anti-vibration 2.5" IDE Hard Disk Drive (Optional), Slim CD-ROM/Combo (Optional)
Expansion Slot	PCI x 2, Mini PCI x 1
OS Support	Windows® 2000, Windows® XP Pro Embedded, Windows® XP Embedded (optional)
Mechanical	
Construction	Heavy-duty steel chassis IP-65 certified anti-scratch aluminum front panel
Front Panel Color	PMS 2965C (Dark Blue)
Mounting	Panelmount, VESA 75/100mm holes (optional)
Dimension	14.4" (W) x 11.5" (H) x 5.9" (D) (366mm x 291mm x 149mm)
Carton Dimension	18.9" (W) x 17" (H) x 14.9" (D) (479mm x 431mm x 378 mm)
Gross Weight	30.8 lb (14Kg)
Environmental	
Operating Temperature	32°F ~ 122°F (0°C ~ 50°C)
Storage Temperature	-4°F ~ 140°F (-20°C ~ 60°C)
Storage Humidity	10% to 90% @ 35°C, non-condensing
Vibration	Random operation 1.5G, 5~500Hz
Shock	15G peak acceleration (11 msec. Duration)
EMC	CE/FCC Class B
Power Supply	
AC input 250W (with Active PFC)	Input: 100V AC ~ 240V AC @ 47~63Hz

APC-8122

Dimension

Unit: mm



LCD	
Display Type	12.1" TFT LCD
Max. Resolution	800 x 600
Max. Colors	262K
Dot Size	0.3075 x 0.3075
Luminance (Typical)	350 cd/m ²
Viewing Angle	140°(H)/ 120°(V)
Back Light MTBF (Hours)	50,000
TouchScreen (Optional)	
Type	8-wire, Analog Resistive
Resolution	2048 x 2048
Light Transmission	80%
Lifetime	10 million activations
OS Support	Windows® 2000, Windows® XP, Windows® XP Embedded (optional)

Optional Accessories

- **1759200155**
CPU Cooler for Intel® Pentium® 4 CPU
- **9761815202**
10/100Base-TX Ethernet Kit, Realtek 8100C
- **9761815203**
10/100/1000Base-TX Ethernet Kit, Realtek 8110S
- **TF-PER-A025**
Video Capture Module
- **9741666646**
Wireless LAN Kit, IEEE802.11b/g, with Antenna
- **ARM-LA0115**
Swivel Arm with VESA 75/100mm Standards, Weight Capacity: 8~15 kgs
- **ARM-WK075-0**
Wallmount Kit with VESA 75/100mm Standards
- **M018122070**
VESA 75/100mm Mounting Bracket
- **1702031802**
Power Cord (US Type)
- **1702031803**
Power Cord (European Type)
- **170203180E**
Power Cord (Japanese Type)
- **9761812201**
Card Reader Kit

Ordering Information

- **TF-APC-8122HT-A1**
Intel® Pentium® 4/ Celeron® Panel PC with 12.1" TFT, AC Power Supply, Card Reader, Two Free Expansion Slots
- **TF-APC-8122HTT-A1**
TF-APC-8122HT-A1 with Resistive TouchScreen
- **TF-APC-8122HT-A3**
Intel® Pentium® 4/ Celeron® Panel PC with 12.1" TFT, DC 24V Power Supply, Card Reader, Two Free Expansion Slots
- **TF-APC-8122HTT-A3**
TF-APC-8122HT-A3 with Resistive TouchScreen