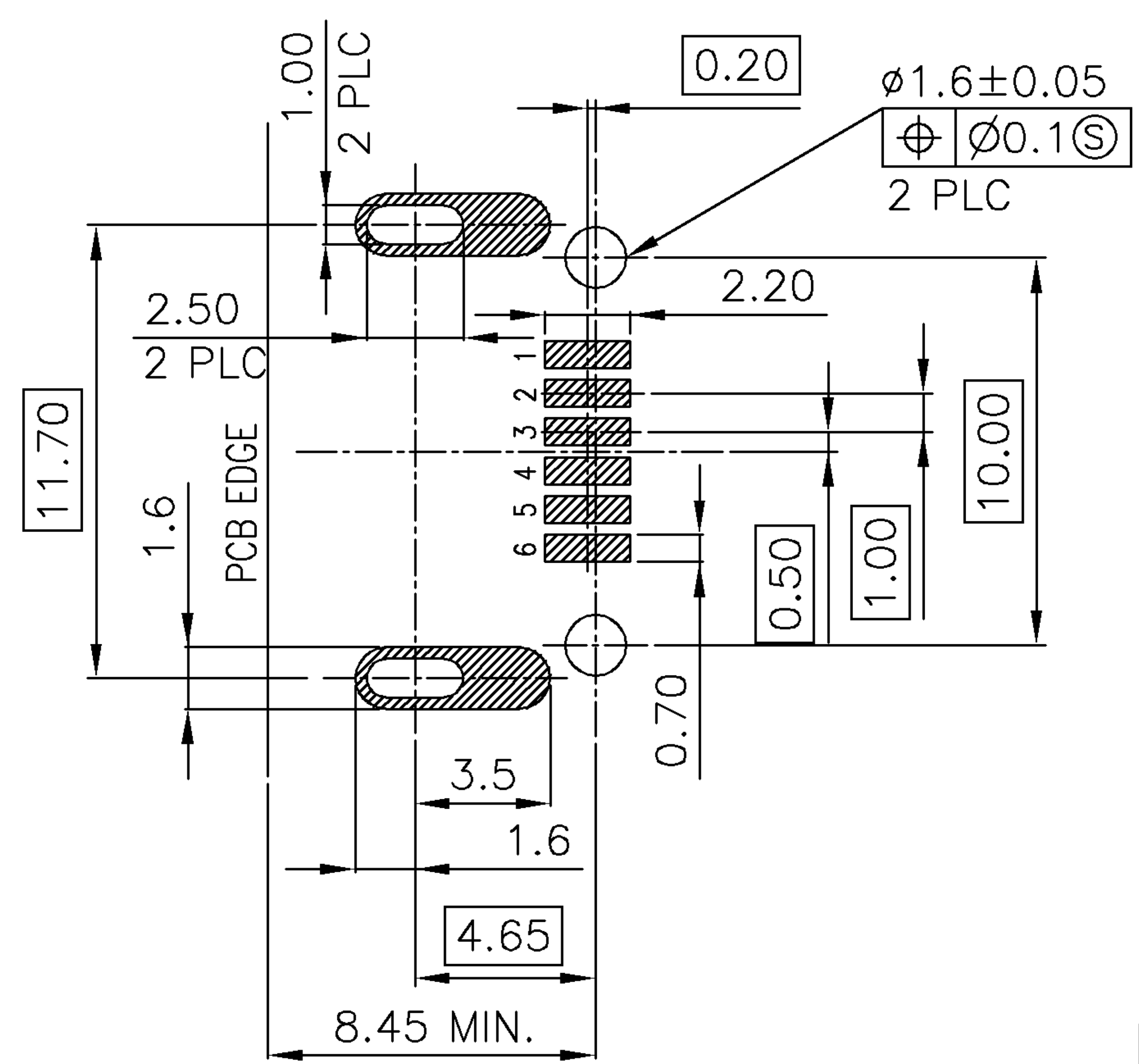
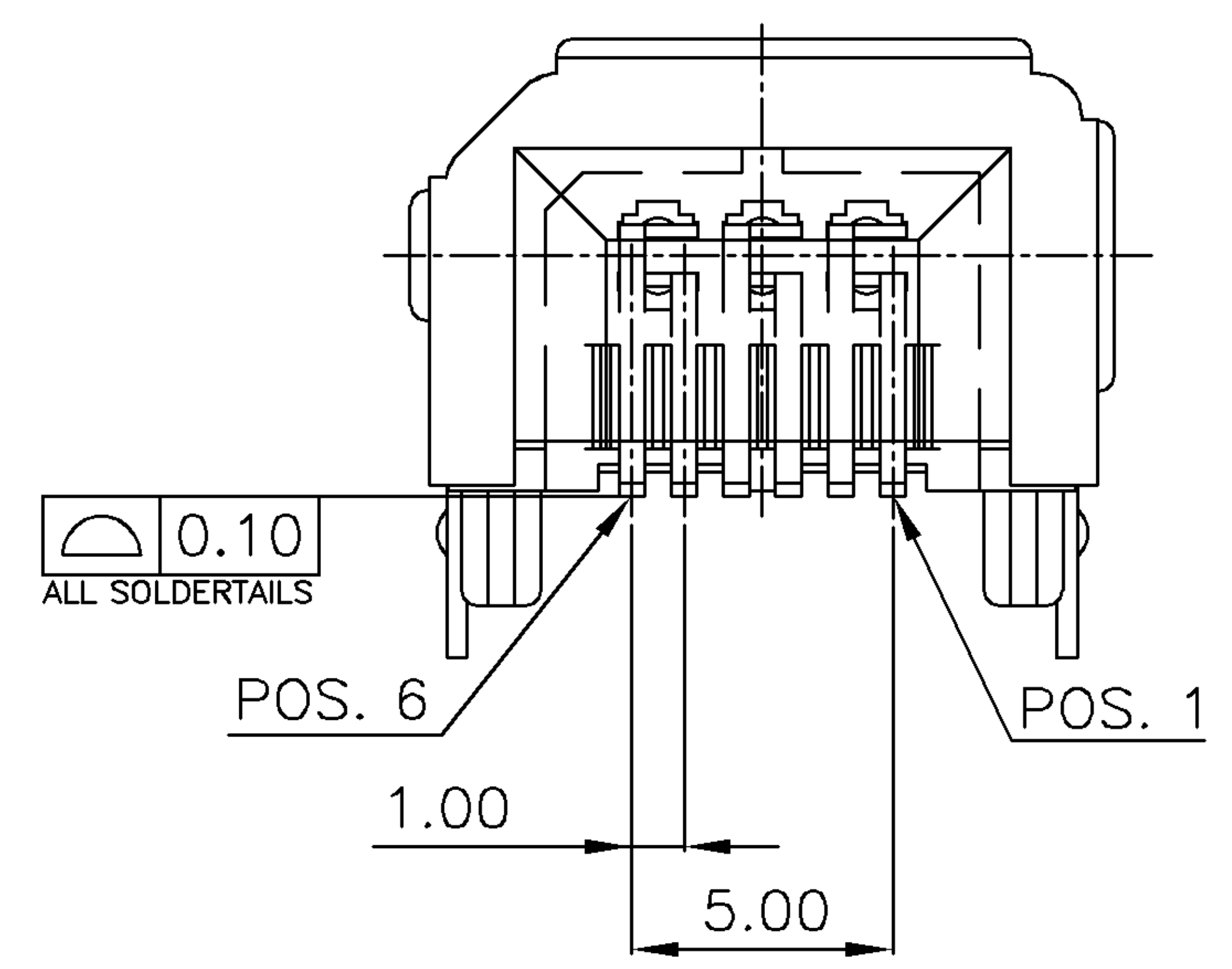
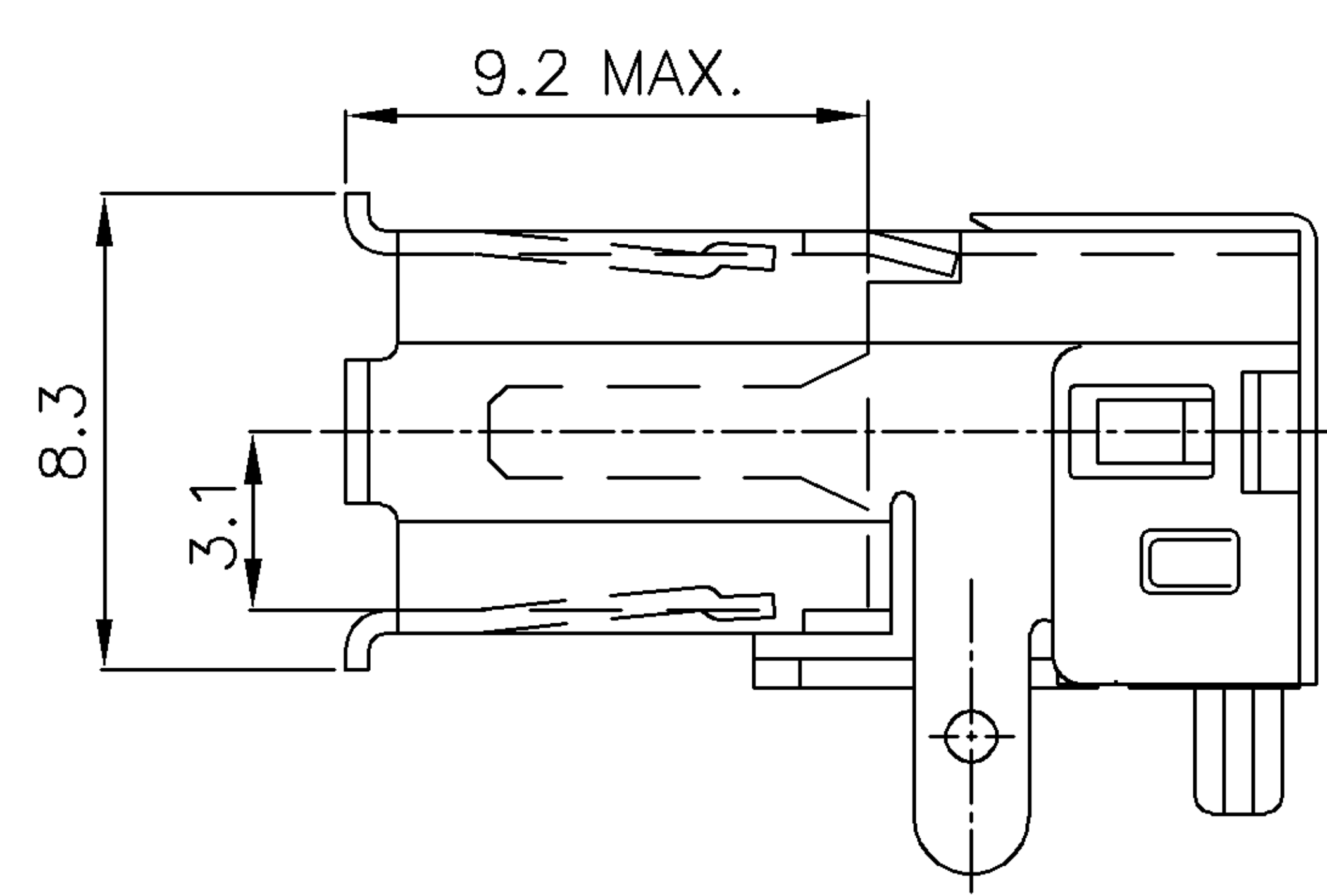
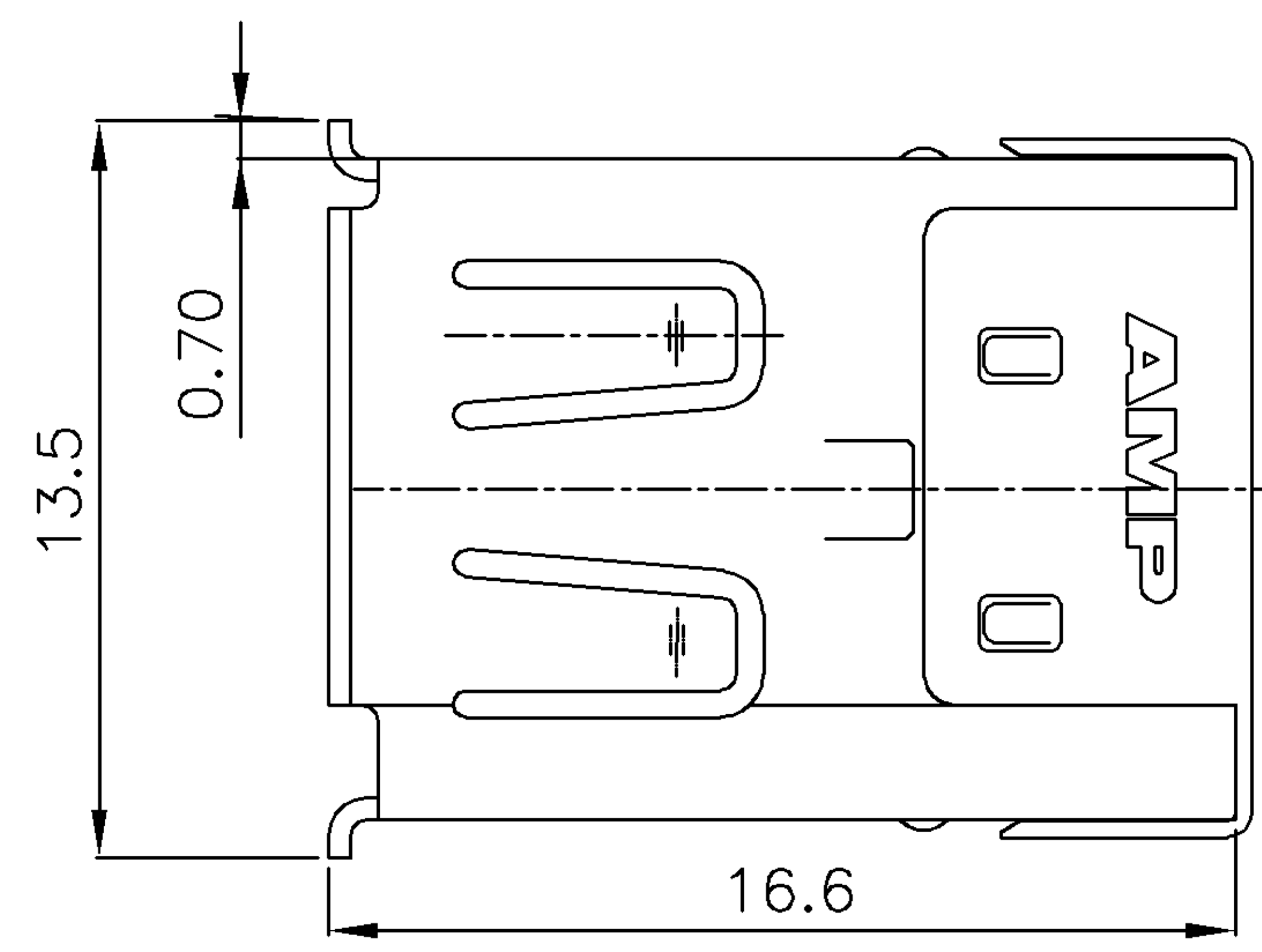
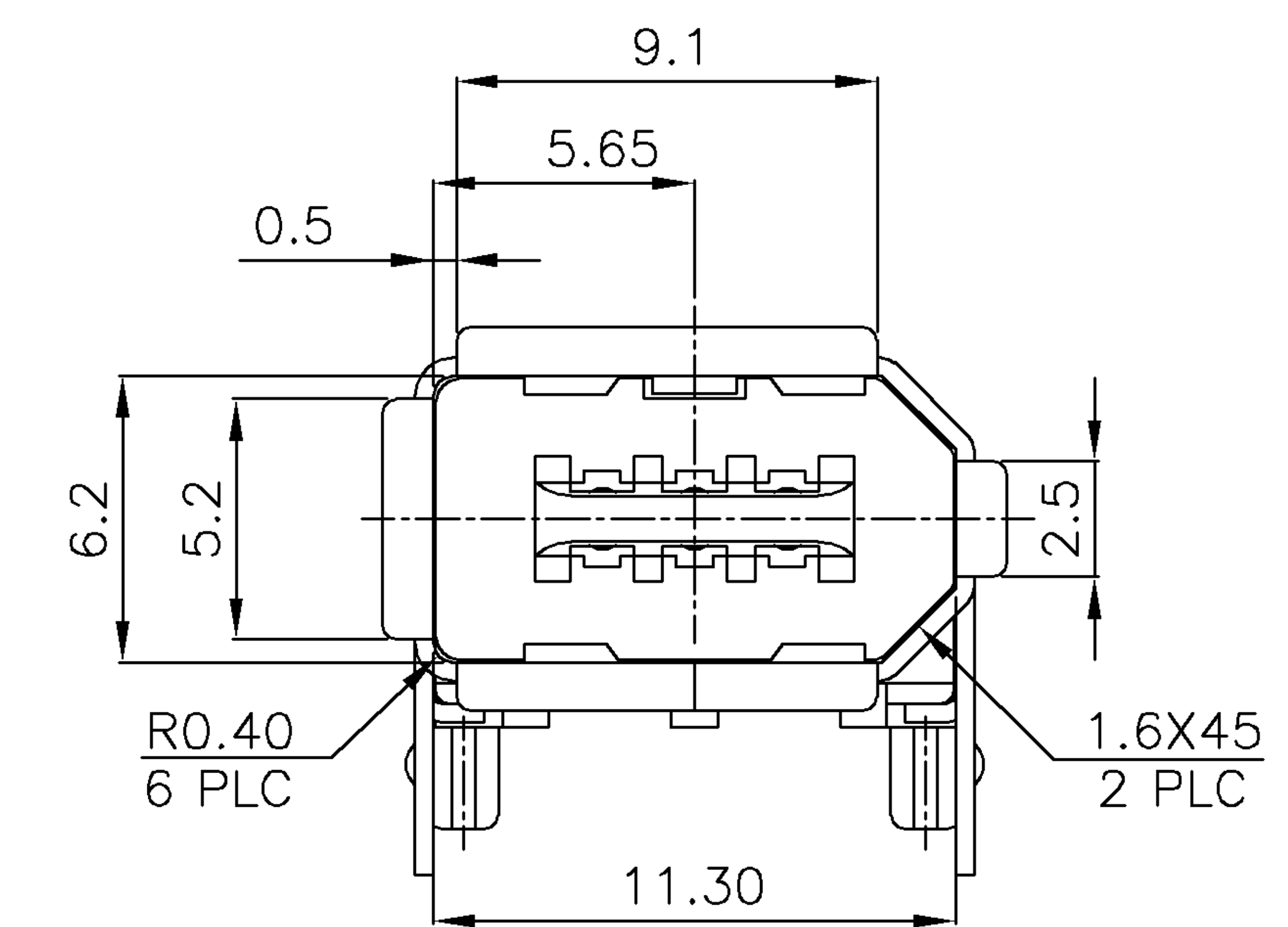


THIS INFORMATION IS CONFIDENTIAL AND IS DISCLOSED TO YOU ON CONDITION THAT NO FURTHER DISCLOSURE IS MADE BY YOU TO OTHER THAN AMP PERSONNEL WITHOUT WRITTEN AUTHORIZATION FROM AMP (TAIWAN) LTD. DIMENSIONS IN MILLIMETERS. DO NOT SCALE PRINT.

NUMBER
C-1734368



METRIC



NOTES:

- MATERIAL:
HOUSING: THERMOPLASTIC HIGH TEMP., GLASS FIBER FILLED.
UL 94V-0 RATED, COLOR: SEE TABLE.
CONTACT: BRASS, THICKNESS=0.25mm.
SHELL: PHOSPHOR BRONZE, THICKNESS=0.40mm.
BACK SHELL: STEEL, THICKNESS=0.30mm.
- FINISH :
CONTACT: 30 μ" MIN. GOLD PLATING ON CONTACT AREA,
120 μ" MIN. TIN-Cu PLATING ON SOLDER TAILS,
50 μ" MIN. NICKEL UNDERPLATING OVERALL.
SHELL: 100 μ" MIN. NICKEL PLATING OVER 100 μ" MIN. Cu UNDERPLATED.
BACK SHELL: 100 μ" MIN. NICKEL PLATING OVER 100 μ" MIN. Cu UNDERPLATED.
- REFLOW SOLDER CAPABLE TO 260°C PER TYCO SPEC 109-201, CONDITION B.

REEL	NATURAL	1-1734368-2
	BLACK	1-1734368-1
TUBE	NATURAL	1734368-2
	BLACK	1734368-1
PACKAGE	HSG. COLOR	PART NUMBER

TOLERANCES UNLESS OTHERWISE SPECIFIED: 0 PLC ± 0.50 1 PLC ± 0.38 2 PLC ± 0.25 3 PLC ± 0.05 ANGLES ± 3'	DWN O. HU 25-MAY-2005	tyco TYCO HOLDINGS (BERMUDA) VII LTD. TAIWAN BRANCH Electronics NAME
MATERIAL SEE NOTE	CHK S. HOU 25-MAY-2005	
FINISH SEE NOTE	APVD W.J. KE 25-MAY-2005	SOCKET ASSEMBLY, RIGHT ANGLE 6 POS. FLAT SMT, IEEE 1394 A
	PRODUCT SPEC 108-57559	LOC DW A ₃
	QUALIFICATION TEST REPORT 501-57651	DRAWING NO C-1734368
	WEIGHT 2.25g	SCALE --
		SHEET 1 OF 3

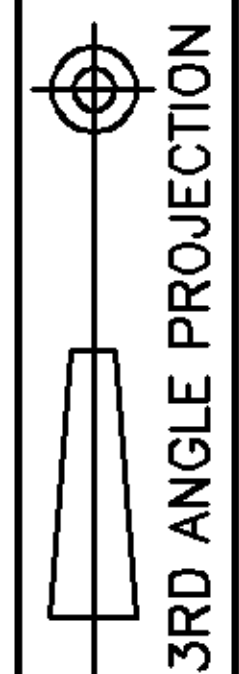
o	FIRST RELEASED	OH AW 27MAY 2005
LTR	REVISION RECORD	ECN DWN CHK DATE

RECOMMENDED PCB LAYOUT
PCB THICKNESS=1.57mm

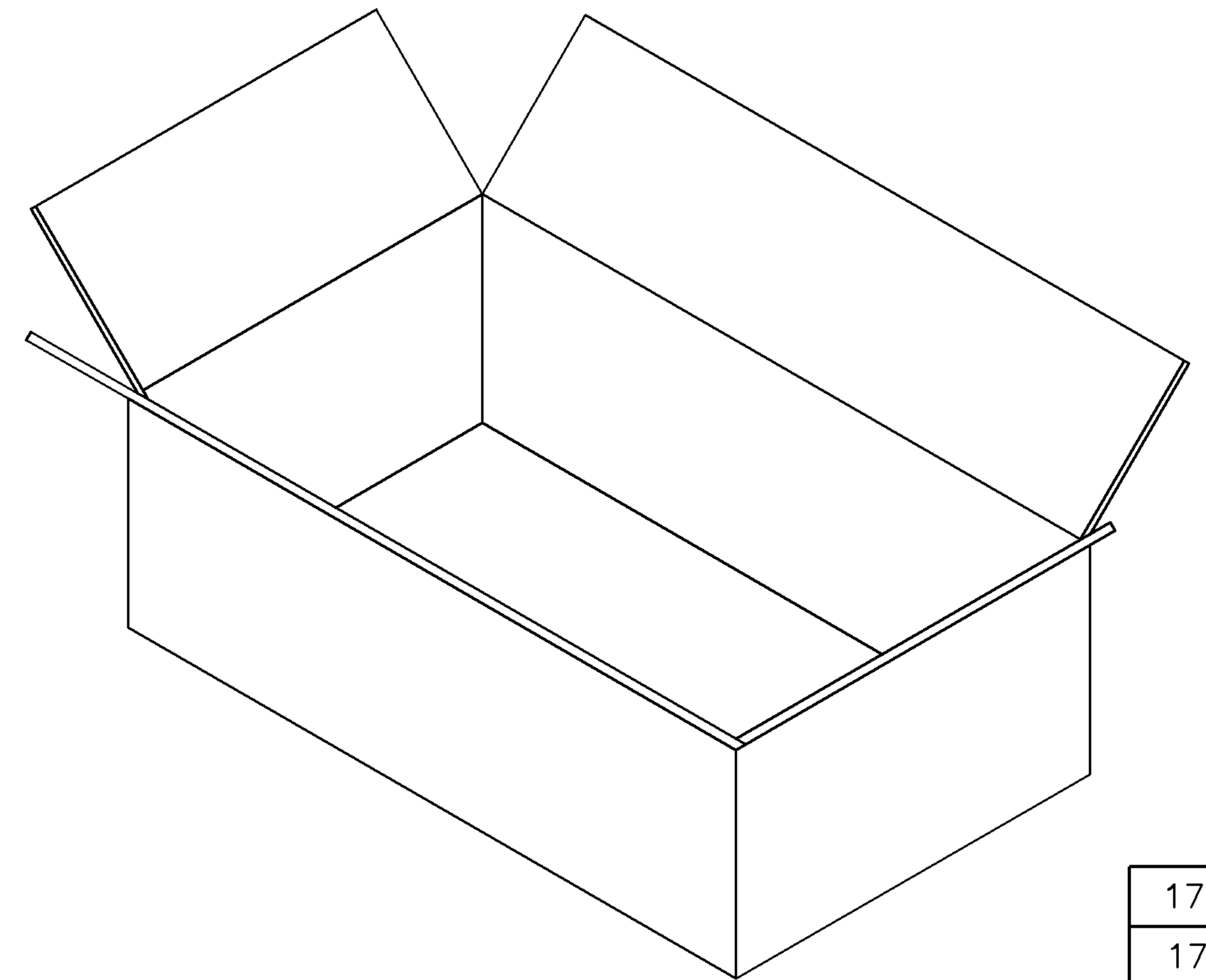
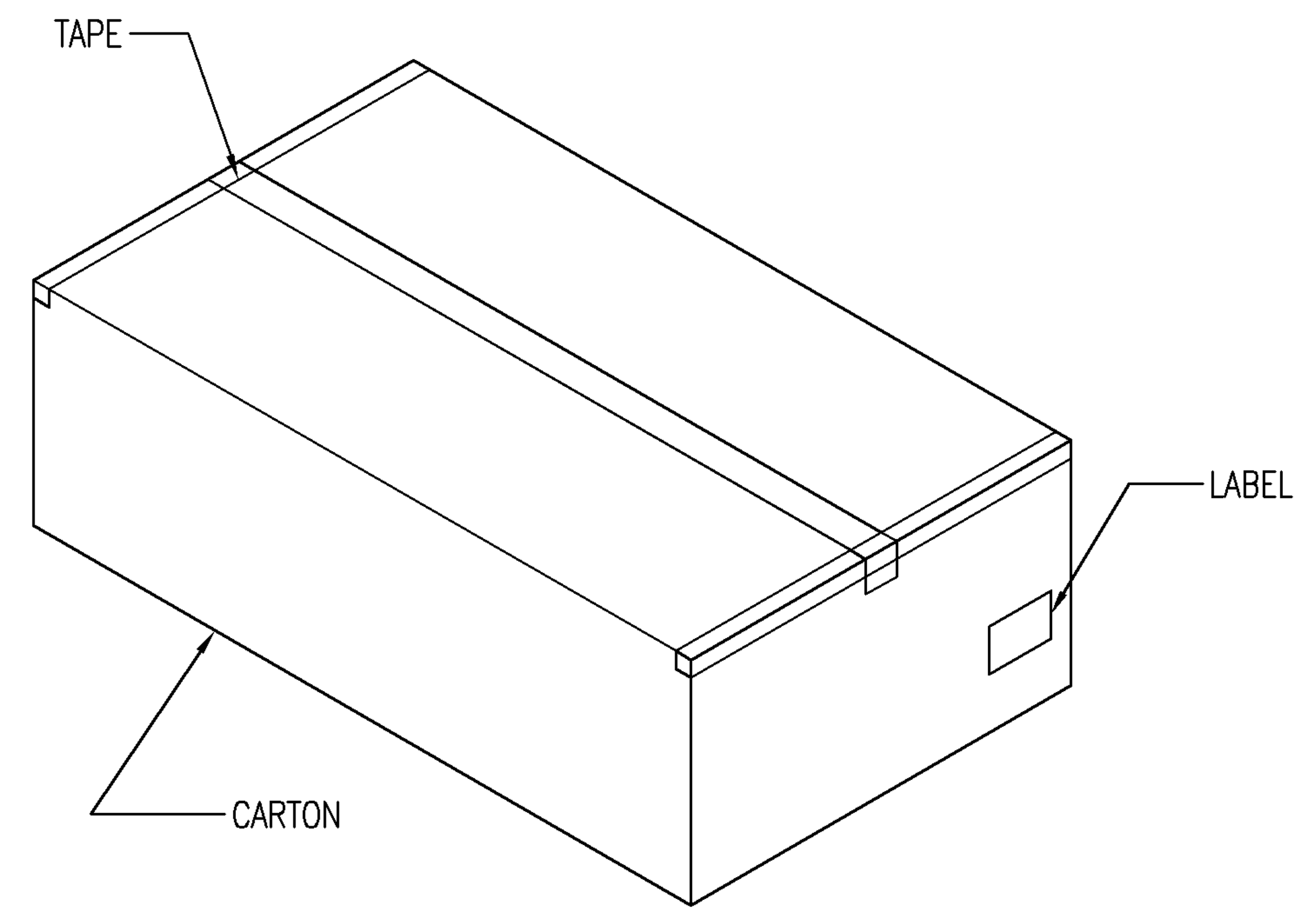
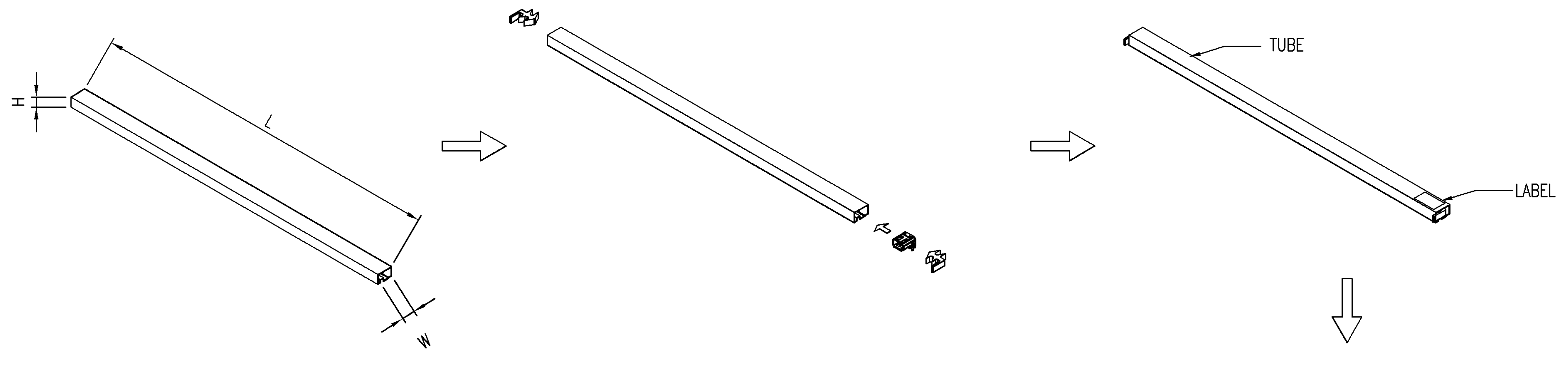
THIS INFORMATION IS CONFIDENTIAL AND IS DISCLOSED TO YOU ON CONDITION THAT NO FURTHER DISCLOSURE IS MADE BY YOU TO OTHER THAN AMP PERSONNEL WITHOUT WRITTEN AUTHORIZATION FROM AMP (TAIWAN) LTD. DIMENSIONS IN MILLIMETERS. DO NOT SCALE PRINT.

PRINT DIST
DW

METRIC



NUMBER
C-1734368



- NOTE:
- MATERIAL:
TUBE : PS.
SHIPPING CARTON : CORRUGATED FIBERBOARD.
 - DIMENSION:
TUBE : L=400, W=19.9, H=16.5mm.
SHIPPING CARTON : L=419.1, W=162.4, H=162.4mm.
 - QUANTITY:
PRIMARY PACKING : 29 PCS/TUBES
SECONDARY PACKING : 40 TUBES/CARTON(1160PCS).
 - WEIGHT:
NET WEIGHT : 2.6kg.
GROSS WEIGHT : 3.8kg.

1734368-2
1734368-1
PART NUMBER

TOLERANCES UNLESS OTHERWISE SPECIFIED: 0 PLC ± 1 PLC ± 2 PLC ± 3 PLC ± ANGLES ±	DWN	O. HU	tyco Electronics	TYCO HOLDINGS (BERMUDA)	
	CHK	S. HOU		VII LTD. TAIWAN BRANCH	
MATERIAL SEE SHEET 1.	APVD	W.J. KE	NAME SOCKET ASSEMBLY, RIGHT ANGLE 6 POS. FLAT SMT, IEEE 1394		
	PRODUCT SPEC	25-MAY-2005			
FINISH SEE SHEET 1.	QUALIFICATION TEST REPORT	LOC	SIZE	DRAWING NO	REV
	WEIGHT	DW	A ₃	C-1734368	O
			SCALE	SHEET	
			--	2 OF 3	

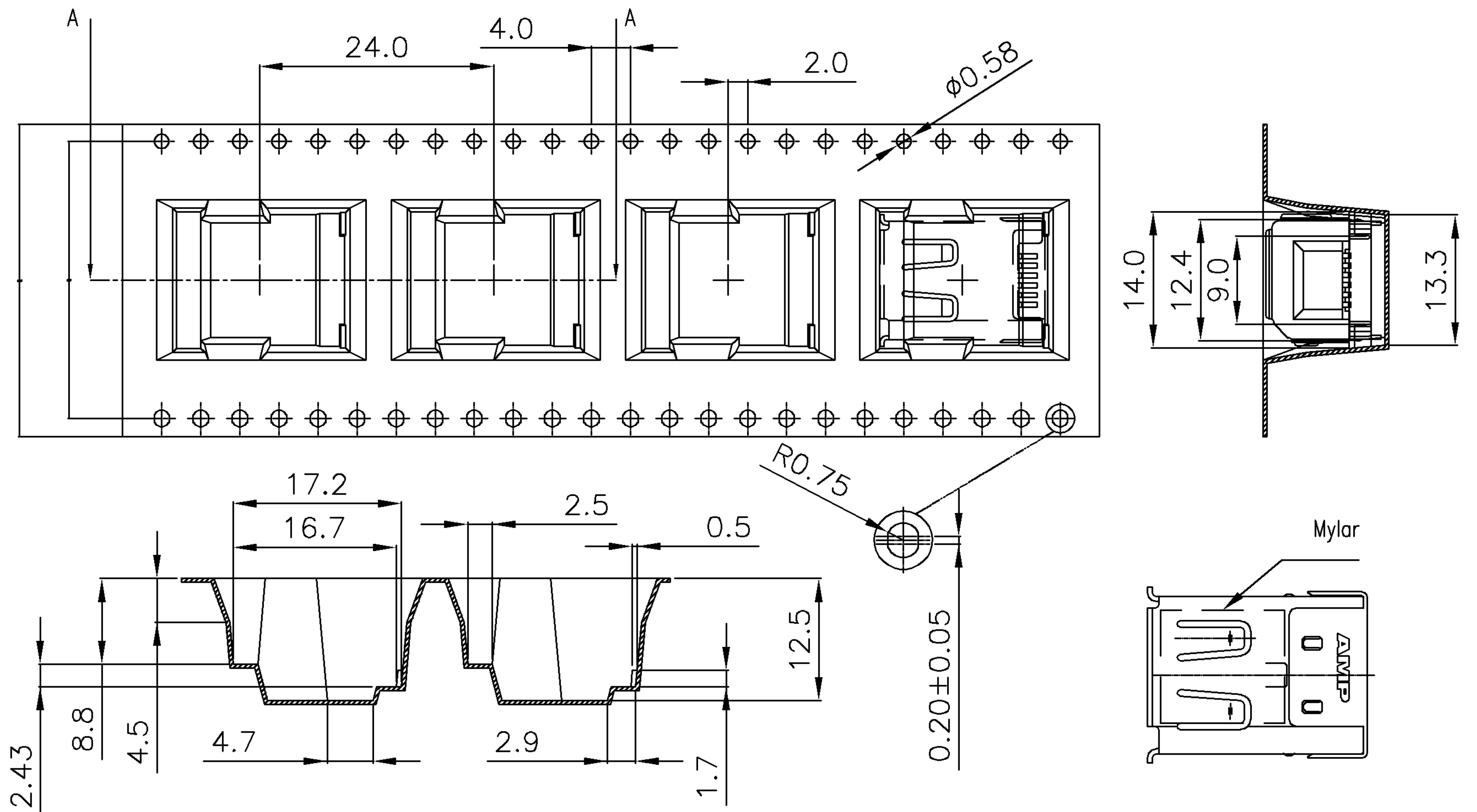
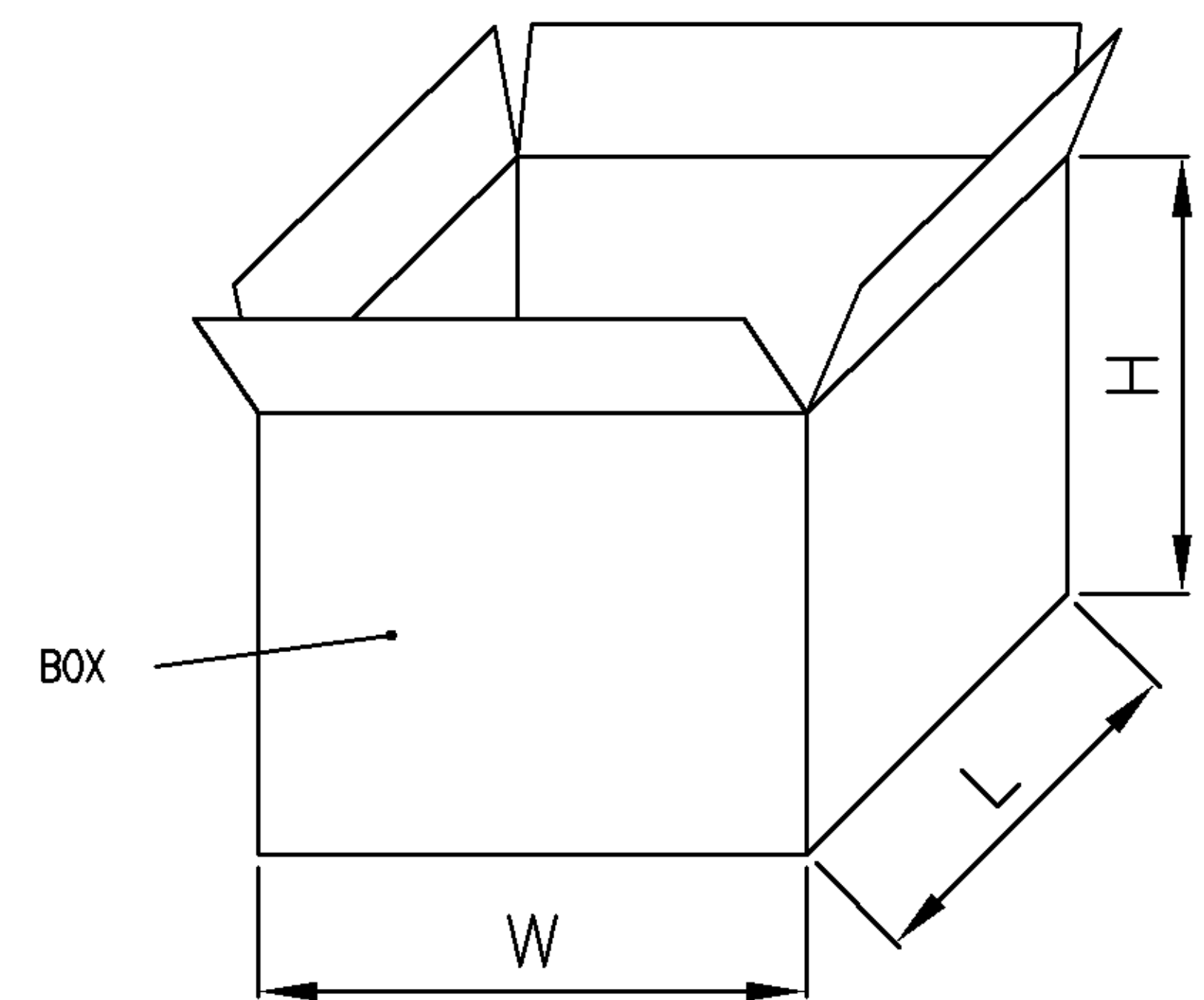
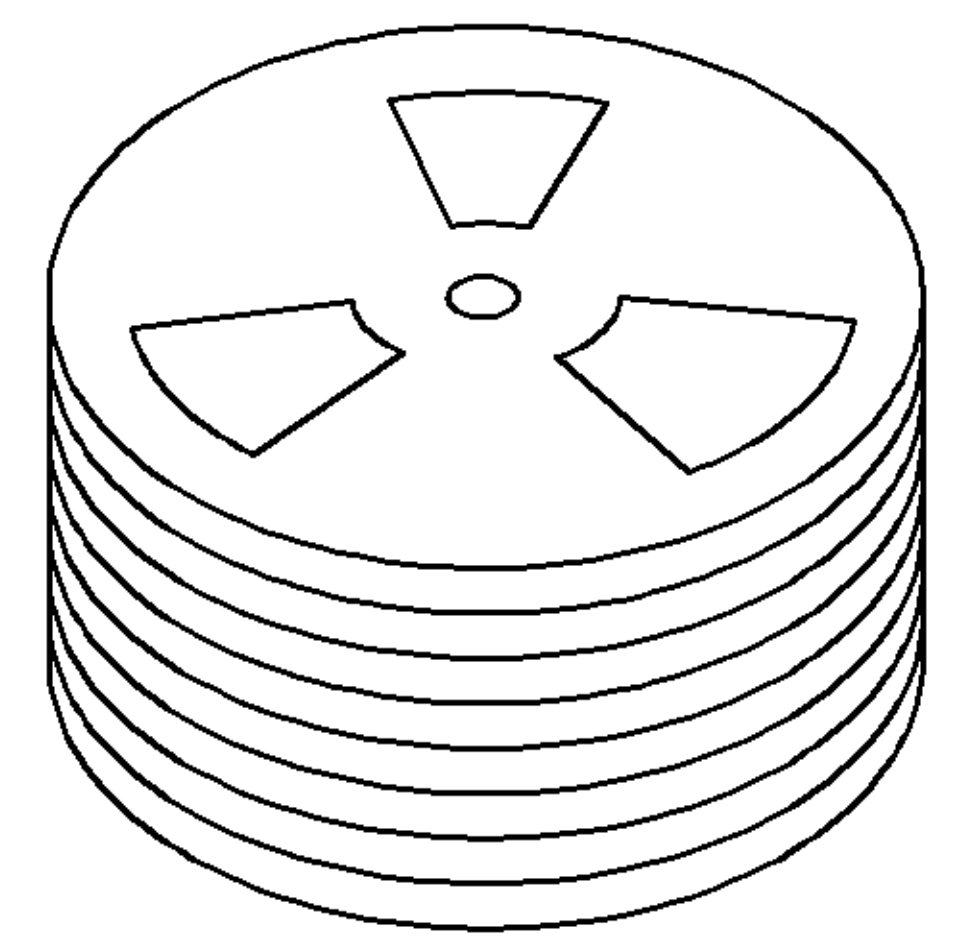
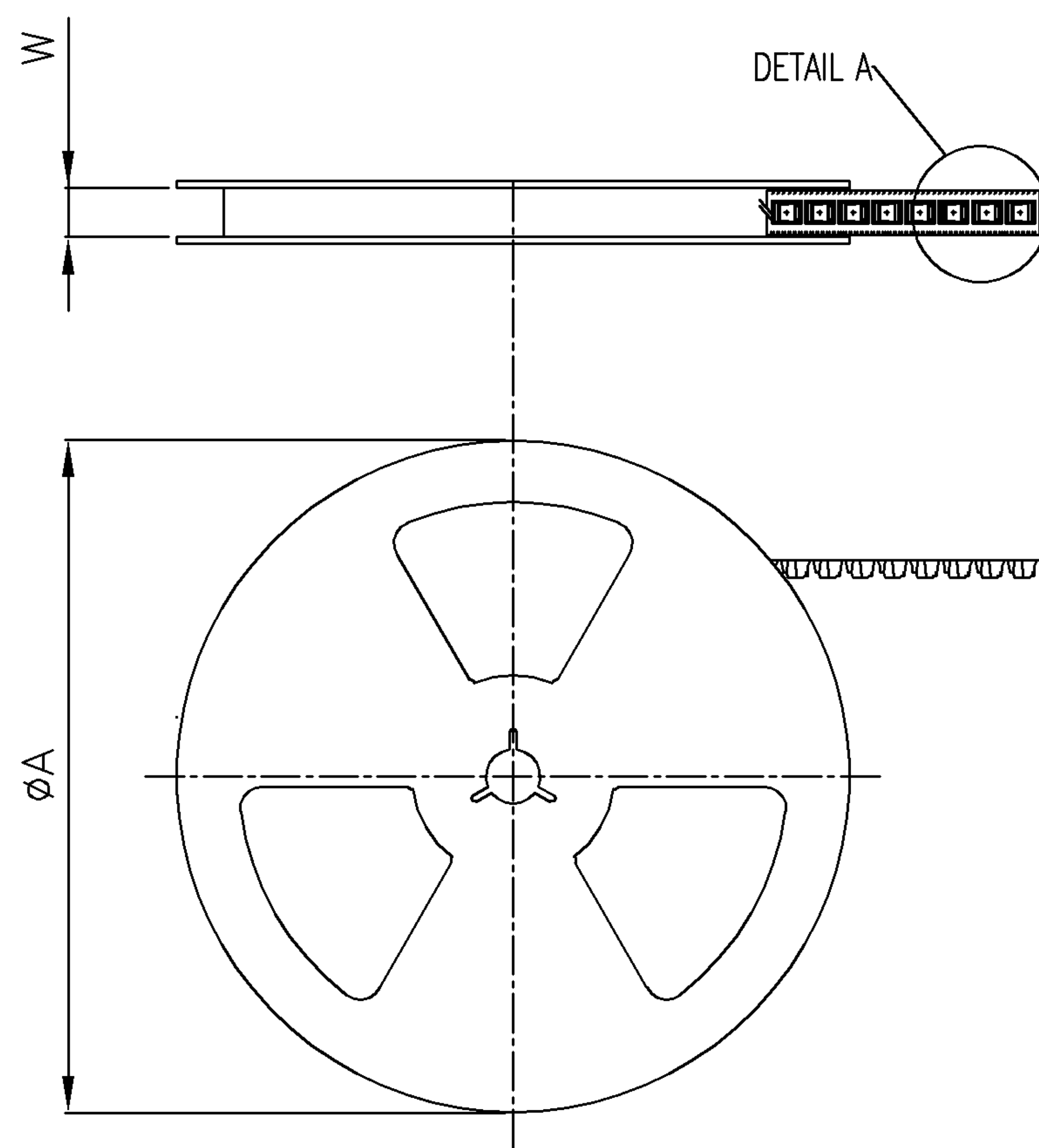
SEE SHEET 1.	ECN	DWN	CHK	DATE
LTR	REVISION RECORD			

NUMBER
C-1734368

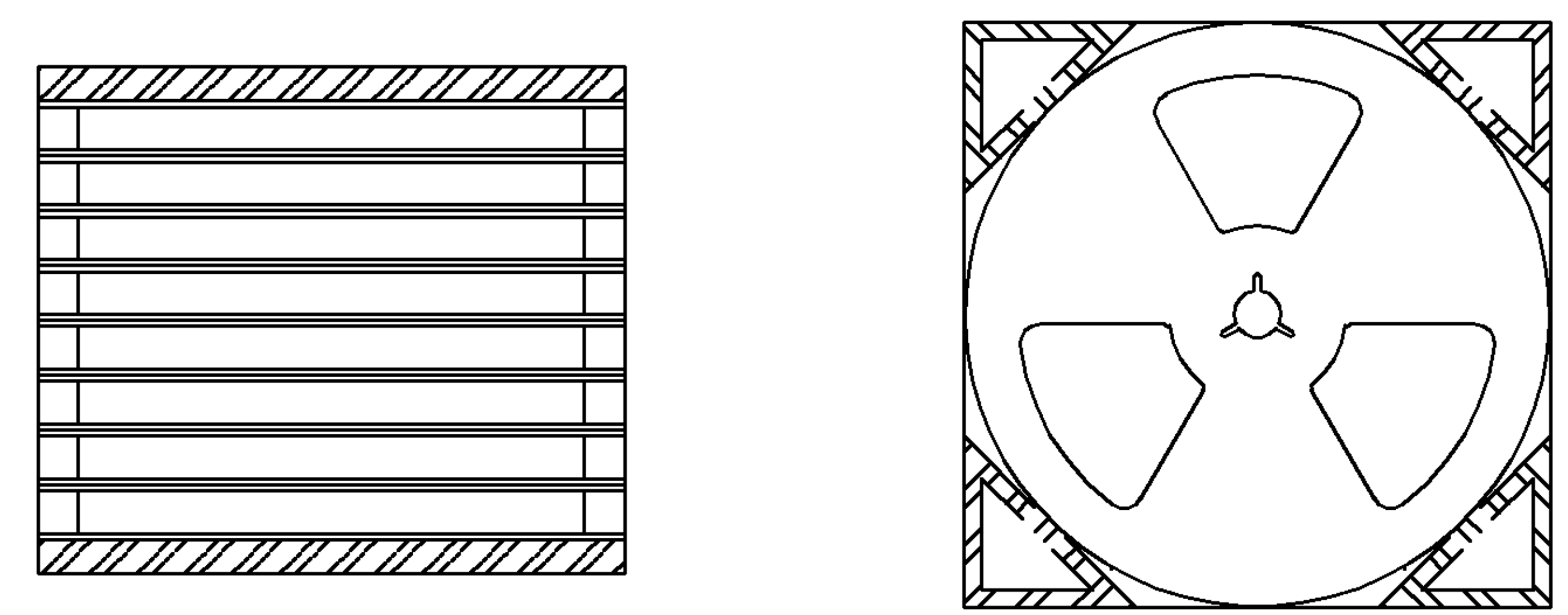
METRIC
3RD ANGLE PROJECTION

THIS INFORMATION IS CONFIDENTIAL AND IS DISCLOSED TO YOU ON CONDITION THAT NO FURTHER DISCLOSURE IS MADE BY YOU TO OTHER THAN AMP PERSONNEL WITHOUT WRITTEN AUTHORIZATION FROM AMP (TAIWAN) LTD. DIMENSIONS IN MILLIMETERS. DO NOT SCALE PRINT.

PRINT DIST
DW



SECTION A-A



PACKING BOX

- NOTE:
- MATERIAL:
EMBOSSED CARRIER :PS .
COVER TAPE : PET.
SHIPPING CARTON : CORRUGATED FIBERBOARD.
 - DIMENSION:
REEL : W=32, φA=330mm.
SHIPPING CARTON : L=348, W=348, H=340mm.
 - QUANTITY:
PRIMARY PACKING : 200 PCS/REEL.
SECONDARY PACKING : 8 REEL/CARTON(1,600PCS).
 - WEIGHT:
NET WEIGHT : 9.5kg.
GROSS WEIGHT : 10.5kg.
 - PEELING RESISTANCE :10gf ~130gf
 - PEELING SPEED : 300 mm/minutes.

1-1734368-2
1-1734368-1
PART NUMBER

TOLERANCES UNLESS OTHERWISE SPECIFIED: 0 PLC ± 1 PLC ± 2 PLC ± 3 PLC ± ANGLES ±		DWN O. HU 25-MAY-2005	TYCO HOLDINGS (BERMUDA) VII LTD. TAIWAN BRANCH NAME	
MATERIAL SEE SHEET 1.		CHK S. HOU 25-MAY-2005	SOCKET ASSEMBLY, RIGHT ANGLE 6 POS. FLAT SMT, IEEE 1394	
FINISH SEE SHEET 1.		APVD W.J. KE 25-MAY-2005	LOC DW	REV O
		QUALIFICATION TEST REPORT	SIZE A ₃	DRAWING NO C-1734368
		WEIGHT	SCALE --	SHEET 3 OF 3

SEE SHEET 1.	ECN	DWN	CHK	DATE
LTR	REVISION RECORD			