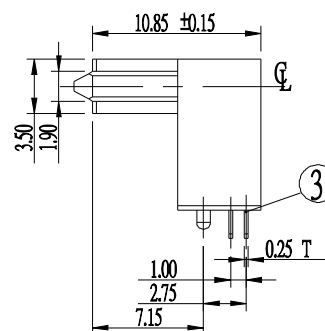
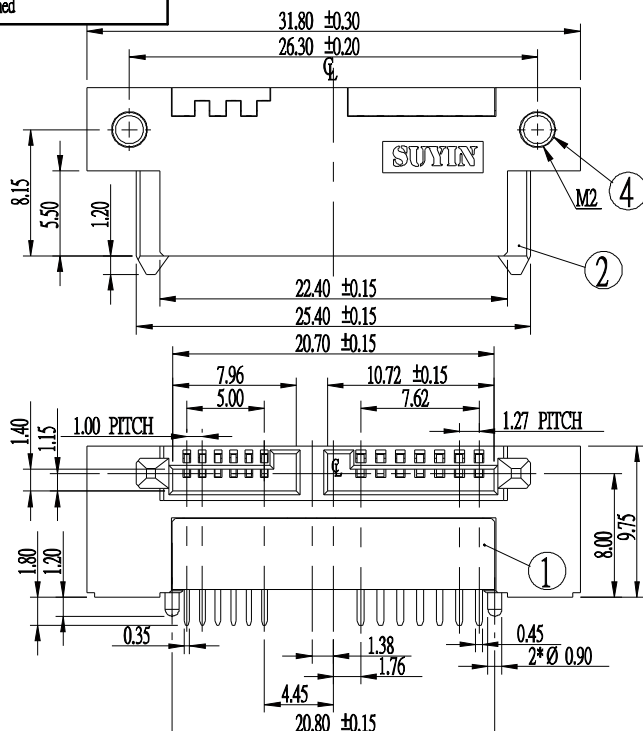




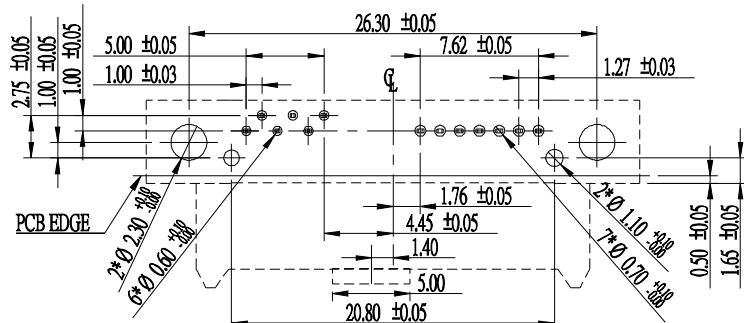
RoHS
Compliant
2002/95/EC

HSF

Level-1 Controlled Substances are banned



RECOMMEND P.C.B LAYOUT (COMPONENT SIDE)
P.C.B THICKNESS=1.20mm(TOLERANCE=±0.05)

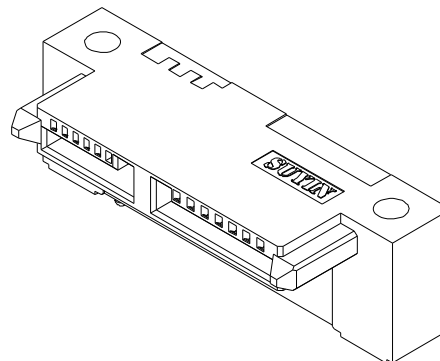
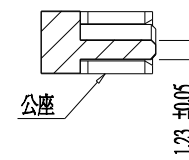


NOTE:

127382FR013SX22ZR

1. PLATING

- S1-05µ" MIN.GOLD IN CONTACT AREA/
100µ" MIN.TIN IN SOLDER AREA.
- S2-GOLD FLASH IN CONTACT AREA/
100µ" MIN.TIN IN SOLDER AREA.
- S3-10µ" MIN.GOLD IN CONTACT AREA/
100µ" MIN.TIN IN SOLDER AREA.
- S4-15µ" MIN.GOLD IN CONTACT AREA/
100µ" MIN.TIN IN SOLDER AREA.
- S5-30µ" MIN.GOLD IN CONTACT AREA/
100µ" MIN.TIN IN SOLDER AREA.
- S6-50µ" MIN.GOLD IN CONTACT AREA/
100µ" MIN.TIN IN SOLDER AREA.



4	NUT	COPPER ALLOY	—	NICKEL PLATED
3	TERMINAL	COPPER ALLOY	—	GOLD PLATED
2	COVER	HIGH TEMP	BLACK	UL 94V-0
1	HOUSING	HIGH TEMP	BLACK	UL 94V-0
NO.	DESCRIPTION	MATERIAL	COLOR	REMARK

SUYIN
CONNECTOR

CUSTOMER COPY	TITLE: 1.27mm PITCH SERIAL ATA			
PART NO.		127382FR013SX22ZR		
PRODUCT SPEC.		127382FR SERIES		
FILE NAME.	D JING	127382FR013SX22ZR-C		
SCALE	2:1	UNIT:mm	A4	SHEET: 1 of 2

					Angle	± 2°													
					30 -	± 0.50	DRAW	徐健龍	08/08/20										
					10 ~ 30	± 0.30	DESIGN	徐健龍	08/08/20										
					~ 10	± 0.15	CHECK	唐毅	08/08/20										
ECN(DCN) NO.	REV	DATE	DESCRIPTION	CHANGE	APPRO.	GENERAL TOLERANCE UNLESS OTHERWISE NOTED	APPRO.	張裕奇	08/08/20										

Original:Draw: 徐健龍 Design: 徐健龍 Check: 唐毅 Appr: 鄭家奇 發行日期: 07/10/19

071019-BB145