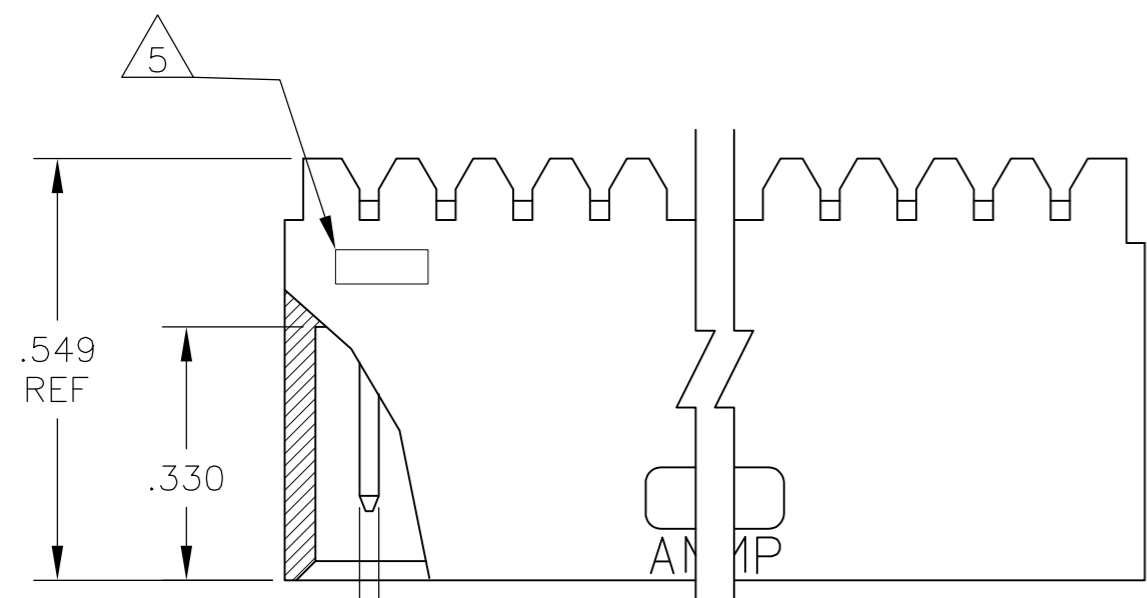
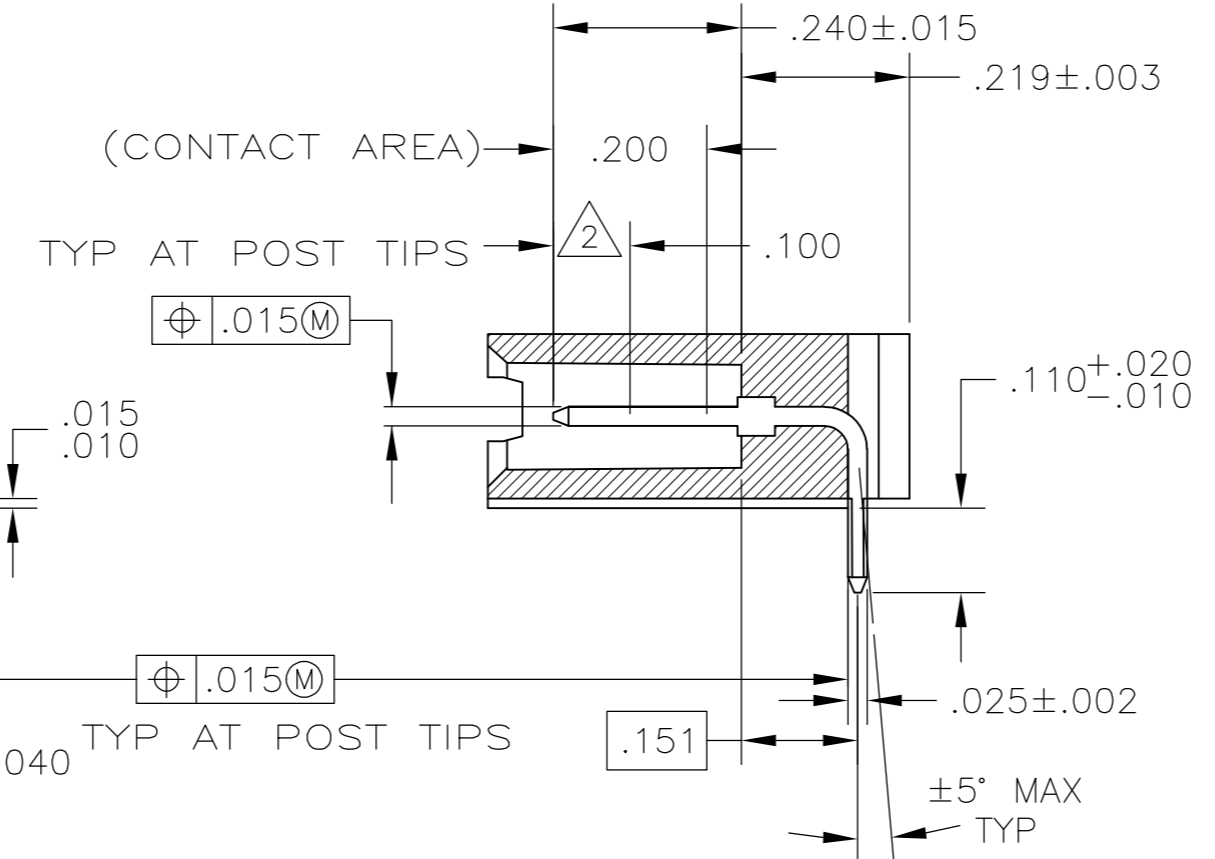
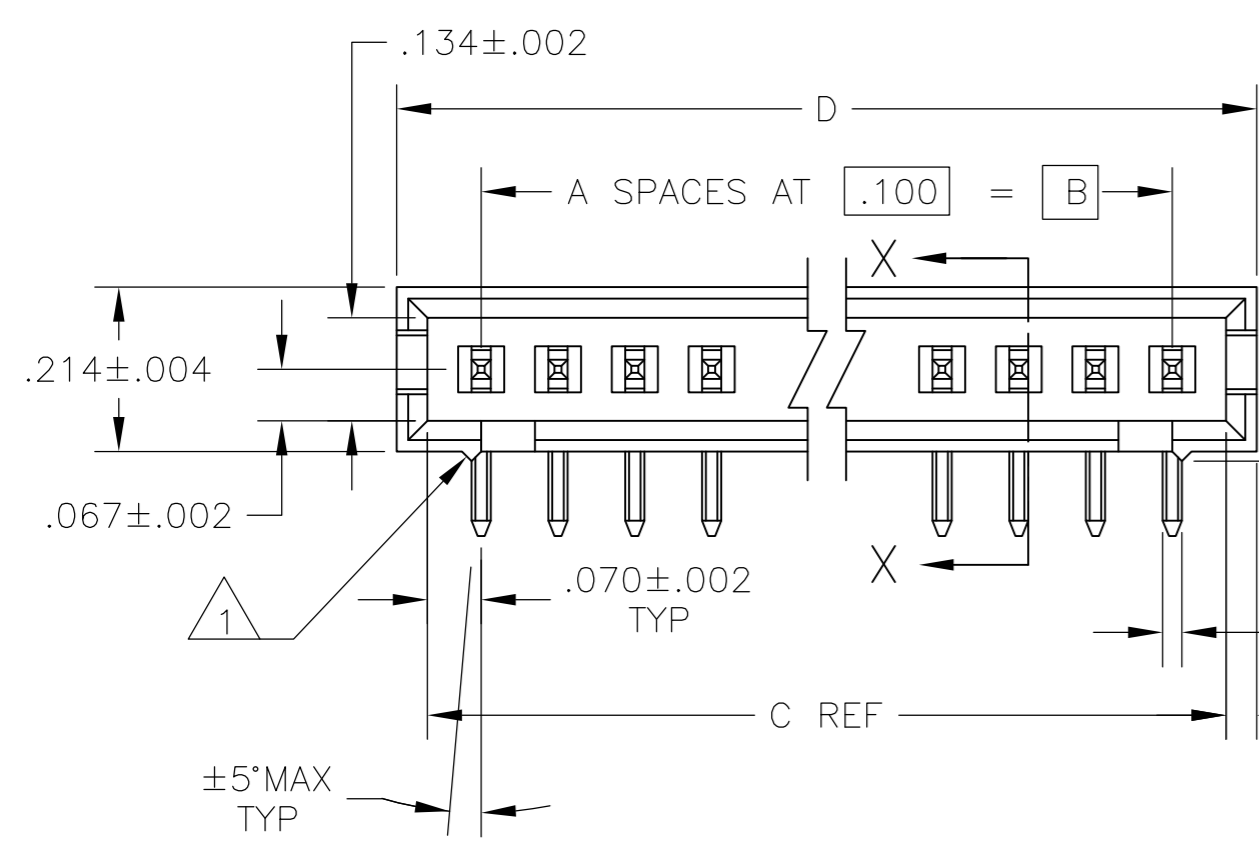


THIS DRAWING IS UNPUBLISHED. RELEASED FOR PUBLICATION
 © COPYRIGHT - By - ALL RIGHTS RESERVED.

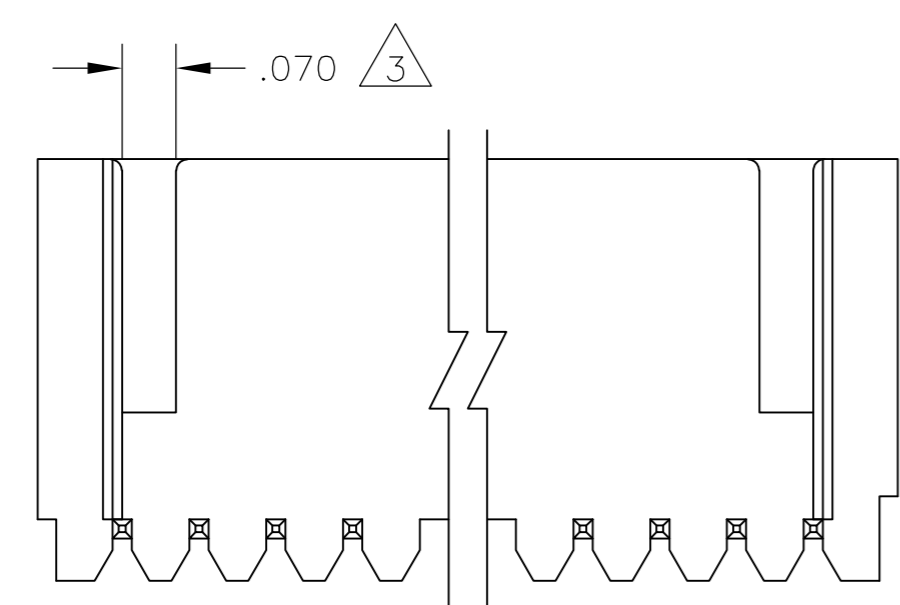
LOC		DIST		REVISIONS			
P	LTR	DESCRIPTION		DATE	DWN	APVD	
AD	00	W	REVISED PER ECO-12-008030	31JUL12	KH	MM	



$.025 \pm .001$ TYP
 $\phi .015 \text{ (M)}$ TYP AT POST TIPS



SECTION X-X



$B \pm .003$
 $.100 \pm .003$ TYP TOLERANCE NON-CUMULATIVE

$\phi .035 \pm .003$ TYP

RECOMMENDED HOLE LAYOUT FOR MANUAL INSERTION

- 1 STANDOFFS: UP TO 9 POS-(2 REQD) ON THE OUTSIDE ENDS OF THE HOUSING 10 TO 19 POS-(3 REQD) TWO ON THE OUTSIDE ENDS AND ONE CENTERED ON THE HOUSING. 19 POS AND LARGER-(4 REQD) TWO ON THE OUTSIDE ENDS AND TWO SPACED EVENLY WITHIN THE REMAINING LENGTH OF THE HOUSING.
- 2 POINT OF MEASUREMENT FOR PLATING THICKNESS.
- 3 FOR 3 POS (3--4 & 3--9 ONLY) ONE SLOT, .215 WIDE.
- 4 INDICATED PARTS ARE PACKAGED IN "GANG-OF-TUBES".
- 5 RECESSED DATE CODE
- 6 INDICATED PARTS ARE PACKAGED IN "SINGLE TUBES".
- 7 .000015 GOLD ON THE CONTACT AREA, .000100-.000200 MATTE TIN-LEAD ON THE SOLDERTAIL, ALL OVER .000050 NICKEL.
- 8 .000015 GOLD ON THE CONTACT AREA, .000100-.000200 MATTE TIN ON THE SOLDERTAIL, ALL OVER .000050 NICKEL.
- 9 PRELIMINARY PART
- 10 OBSOLETE PARTS: OBSOLETE CIS STREAMLINING PER D.RENAUD/D.SINISI

THIS DRAWING IS A CONTROLLED DOCUMENT.		DWN	11JUN85	TE TE Connectivity			
		CHK	11JUN85				
DIMENSIONS: INCHES		TOLERANCES UNLESS OTHERWISE SPECIFIED:		NAME ASSEMBLY, MOD II, HEADER, SINGLE ROW .100 C/L, RIGHT ANGLE, WITH .025 SQ POST			
		0 PLC	± -				
		1 PLC	± -				
		2 PLC	± -				
		3 PLC	± .005				
MATERIAL: RETARDANT THERMOPLASTIC, COLOR-BLACK, POSTS-PHOS BRONZE		FINISH	SEE TABLE	SIZE	CAGE CODE	DRAWING NO	RESTRICTED TO
		WEIGHT	-	A2	00779	C=102203	-
		CUSTOMER DRAWING		SCALE	4:1	SHEET	1 of 2
				REV	W		

THIS DRAWING IS UNPUBLISHED. RELEASED FOR PUBLICATION
 © COPYRIGHT - By - ALL RIGHTS RESERVED.

LOC	DIST	REVISIONS					
AD	00	P	LTR	DESCRIPTION	DATE	DWN	APVD
		-	-	SEE SHEET 1	-	-	-

△9	△8	1.720	1.640	1.500	15	16	4-102203-0
SUPERSEDED BY 8-102203-4	△8	.420	.340	.200	2	△3 3	3-102203-9
△9	△8	1.020	.940	.800	8	9	3-102203-8
SUPERSEDED BY 5-102203-1	△8	.520	.440	.300	3	4	3-102203-7
△6 △10	△7	.820	.740	.600	6	7	3-102203-6
SUPERSEDED BY 103361-8	△7	1.120	1.040	.900	9	△4 10	3-102203-5
	△7	.420	.340	.200	2	△3 3	3-102203-4

△8	.820	.740	.600	6	7	8-102203-6	OBSOLETE
△8	.420	.340	.200	2	△3 3	8-102203-4	
△8	2.620	2.540	2.400	24	25	7-102203-2	OBSOLETE △10
△8	2.520	2.440	2.300	23	24	7-102203-1	OBSOLETE △10
△8	2.420	2.340	2.200	22	23	7-102203-0	OBSOLETE △10
△8	2.320	2.240	2.100	21	22	6-102203-9	
△8	2.220	2.140	2.000	20	21	6-102203-8	OBSOLETE △10
△8	2.120	2.040	1.900	19	20	6-102203-7	
△8	2.020	1.940	1.800	18	19	6-102203-6	OBSOLETE △10
△8	1.920	1.840	1.700	17	18	6-102203-5	
△8	1.820	1.740	1.600	16	17	6-102203-4	OBSOLETE △10
△8	1.720	1.640	1.500	15	16	6-102203-3	
△8	1.620	1.540	1.400	14	15	6-102203-2	
△8	1.520	1.440	1.300	13	14	6-102203-1	
△8	1.420	1.340	1.200	12	13	6-102203-0	
△8	1.320	1.240	1.100	11	12	5-102203-9	
△8	1.220	1.140	1.000	10	11	5-102203-8	
△8	1.120	1.040	.900	9	10	5-102203-7	
△8	1.020	.940	.800	8	9	5-102203-6	OBSOLETE △10
△8	.920	.840	.700	7	8	5-102203-5	
△8	.820	.740	.600	6	7	5-102203-4	
△8	.720	.640	.500	5	6	5-102203-3	
△8	.620	.540	.400	4	5	5-102203-2	
△8	.520	.440	.300	3	4	5-102203-1	
PLATING	D	C	B	A	NO OF POS	ASSEMBLY PART NUMBER	

OBSOLETE	△7	3.720	3.640	3.500	35	36	3-102203-3
OBSOLETE	△7	3.620	3.540	3.400	34	35	3-102203-2
OBSOLETE	△7	3.520	3.440	3.300	33	34	3-102203-1
OBSOLETE	△7	3.420	3.340	3.200	32	33	3-102203-0
OBSOLETE	△7	3.320	3.240	3.100	31	32	2-102203-9
OBSOLETE	△7	3.220	3.140	3.000	30	31	2-102203-8
OBSOLETE	△7	3.120	3.040	2.900	29	30	2-102203-7
OBSOLETE	△7	3.020	2.940	2.800	28	29	2-102203-6
OBSOLETE	△7	2.920	2.840	2.700	27	28	2-102203-5
OBSOLETE	△7	2.820	2.740	2.600	26	27	2-102203-4
OBSOLETE	△7	2.720	2.640	2.500	25	26	2-102203-3
△10	△7	2.620	2.540	2.400	24	25	2-102203-2
	△7	2.520	2.440	2.300	23	24	2-102203-1
△10	△7	2.420	2.340	2.200	22	23	2-102203-0
	△7	2.320	2.240	2.100	21	22	1-102203-9
△10	△7	2.220	2.140	2.000	20	21	1-102203-8
	△7	2.120	2.040	1.900	19	20	1-102203-7
△10	△7	2.020	1.940	1.800	18	19	1-102203-6
	△7	1.920	1.840	1.700	17	18	1-102203-5
△10	△7	1.820	1.740	1.600	16	17	1-102203-4
	△7	1.720	1.640	1.500	15	16	1-102203-3
	△7	1.620	1.540	1.400	14	15	1-102203-2
	△7	1.520	1.440	1.300	13	14	1-102203-1
	△7	1.420	1.340	1.200	12	13	1-102203-0
	△7	1.320	1.240	1.100	11	12	102203-9
	△7	1.220	1.140	1.000	10	11	102203-8
	△7	1.120	1.040	.900	9	10	102203-7
	△7	1.020	.940	.800	8	9	102203-6
	△7	.920	.840	.700	7	8	102203-5
	△7	.820	.740	.600	6	7	102203-4
	△7	.720	.640	.500	5	6	102203-3
	△7	.620	.540	.400	4	5	102203-2
	△7	.520	.440	.300	3	4	102203-1
FINISH		D	C	B	A	NO OF POS	ASSEMBLY PART NUMBER

THIS DRAWING IS A CONTROLLED DOCUMENT.

DWN	D.RINGLY	11JUN85
CHK	D.DUPLER	11JUN85
APVD	-	-
NAME	ASSEMBLY, MOD II, HEADER, SINGLE ROW .100 C/L, RIGHT ANGLE, WITH .025 SQ POST	
PRODUCT SPEC	-	
APPLICATION SPEC	-	
WEIGHT	-	-
CUSTOMER DRAWING	-	

TE Connectivity

SIZE: A2 CAGE CODE: 00779 DRAWING NO: 102203 RESTRICTED TO: -

SCALE: 1:1 SHEET: 2 OF 2 REV: W