

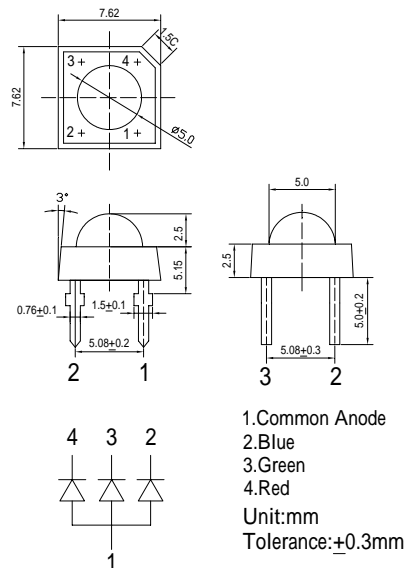
■Features

- Super Flux Output
- 5 Standard Directivity
- Superior Weather-resistance
- UV Resistant Epoxy
- White Diffused Type

■Applications

- Toys
- Games
- Audio
- Backing Lighting

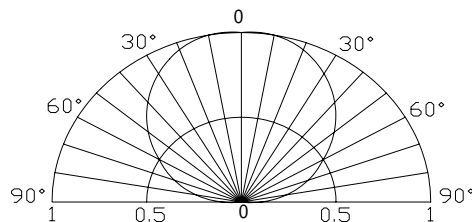
■Outline Dimension



■Absolute Maximum Rating (Ta=25 °C)

Item	Symbol	Value		Unit
		Red	Green/Blue	
DC Forward Current	I_F	50	30	mA
Pulse Forward Current*	I_{FP}	120	100	mA
Reverse Voltage	V_R	5	5	V
Power Dissipation	P_D	120	108	mW
Operating Temperature	T_{opr}	-30 ~ +85		
Storage Temperature	T_{stg}	-40 ~ +100		
Lead Soldering Temperature	T_{sol}	260 /5sec		-

■Directivity



*Pulse width Max.10ms Duty ratio max 1/10

■Electrical -Optical Characteristics (Ta=25 °C)

Item	Symbol	Condition	Min.	Typ.	Max.	Unit
DC Forward Voltage	$V_F(R)$	$I_F=20mA$	1.8	2.1	2.4	V
	$V_F(B/G)$	$I_F=20mA$	2.9	3.1	3.6	V
DC Reverse Current	I_R	$V_R=5V$	-	-	10	μA
Domi. Wavelength	$\lambda_D(Red)$	$I_F=20mA$	619	624	629	nm
	$\lambda_D(Green)$	$I_F=20mA$	520	525	530	nm
	$\lambda_D(Blue)$	$I_F=20mA$	465	470	475	nm
Luminous Intensity	$I_V(Red)$	$I_F=20mA$	-	1200	-	mcd
	$I_V(Green)$	$I_F=20mA$	-	2000	-	mcd
	$I_V(Blue)$	$I_F=20mA$	-	600	-	mcd
50% Power Angle	$2\theta_{1/2}$	$I_F=20mA$	-	120	-	deg

*1 Tolerance of dominant wavelength is ±1nm

*2 Tolerance of luminous intensity is ±15%