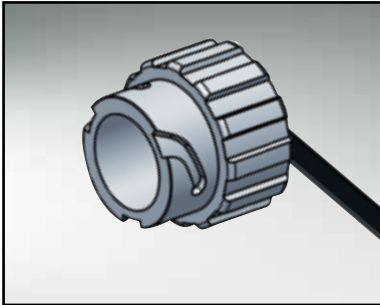


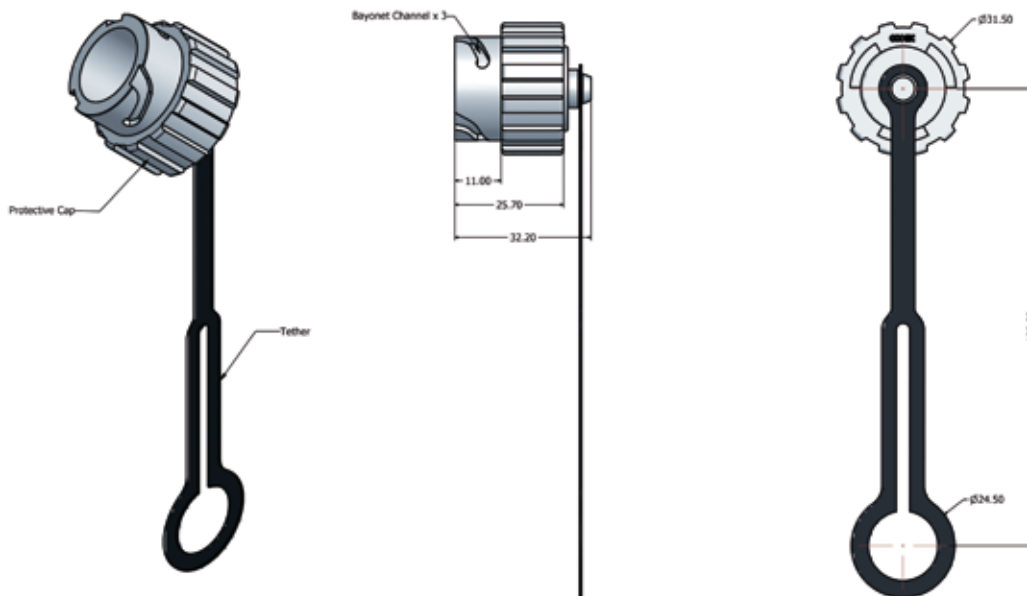
IP67 FIBER OPTIC INDUSTRIAL DUPLEX LC CONNECTOR

Protective cover for plug



CHARACTERISTICS

- IP67 protection for unmated plug assemblies
- material protective cover: polyester (black); UL 94 V-0
- material tether: polycarbonate (black)
- operating temperature: -40°C to +85°C



ORDER TABLE

Type	Material	Part Number
Protective cover receptacle	plastic, black	17-300050