

PRELIMINARY


**Advanced
Micro
Devices**

Am53C974

PCscsi™

Bus Mastering Fast SCSI Controller for PCI Systems

DISTINCTIVE CHARACTERISTICS

PCI Features

- Compatible with PCI Specification Revision 2.0
- Direct glueless interface to 33 MHz, 32-bit PCI bus
- Bus Mastering DMA engine (32-bit address/data)
- 132 Mbyte/s burst DMA transfer rate
- Support for Scatter-Gather DMA data transfers
- 96-byte DMA FIFO for low bus latency

SCSI Features

- Fast 8-bit SCSI-2 10 Mbyte/s synchronous or 7 Mbyte/s asynchronous data transfer rate
- On-chip state machine to control the SCSI sequences in hardware
- Patented programmable GLITCH EATER™ Circuitry on \overline{REQ} and \overline{ACK} and data inputs
- Programmable Active Negation on \overline{REQ} , \overline{ACK} and data outputs

- Integrated industry standard Fast SCSI-2 core
- Single-Ended 48 mA outputs to drive the SCSI bus directly

General Features

- Complete software driver support for all major PC operating systems
- Plug-In and software compatible with AMD's PCI product family of SCSI and Ethernet controllers
- Hooks in silicon and software to enable disk drive spin down for power savings
- Fully static design for low frequency and power operation
- 132-pin PQFP package
- State of the art Am386® submicron CMOS process technology

GENERAL DESCRIPTION

The Am53C974, PCscsi, is a high-performance Fast SCSI controller with a glueless interface to the PCI local bus. The Am53C974 integrates a 32-bit bus mastering DMA engine with an industry standard Fast SCSI-2 block. The DMA engine and accompanying 96 byte DMA FIFO allow 32-bit burst data transfers across the high bandwidth PCI bus at speeds of up to 132 Mbyte/s. Full support for scatter-gather DMA transfers optimize performance in multi-tasking system applications.

The Am53C974's on-chip state machine controls SCSI bus sequences in hardware and is coupled with the bus mastering DMA engine to eliminate the need for an on-chip RISC processor. This results in a smaller die size giving the Am53C974 superior price/performance versus competitive offerings. For more detailed information refer to the technical manual, PID #18264B.

AMD supports the Am53C974 with a total system solution which includes:

- A full suite of licensable SCSI drivers and utilities fully tested under the following operating system environments:

DOS 5.0 – 6.0
Windows 3.1
Windows NT
OS/2 2.x
Netware 3.x, 4.x
SCO Unix 3.2.4, ODT 2.0

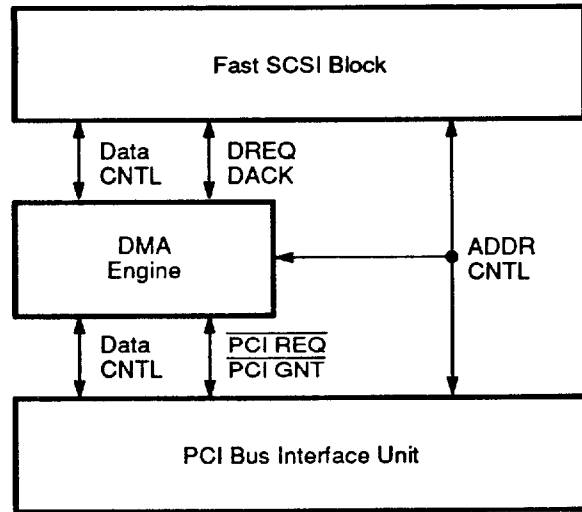
- An INT13h Compatible SCSI ROM BIOS
- ASPI Compatibility
- Complete hardware reference design kit

The Am53C974 is part of AMD's PCI product family of plug-in and software compatible SCSI and Ethernet controllers. This product compatibility ensures a low cost system upgrade path and lower motherboard manufacturing costs.

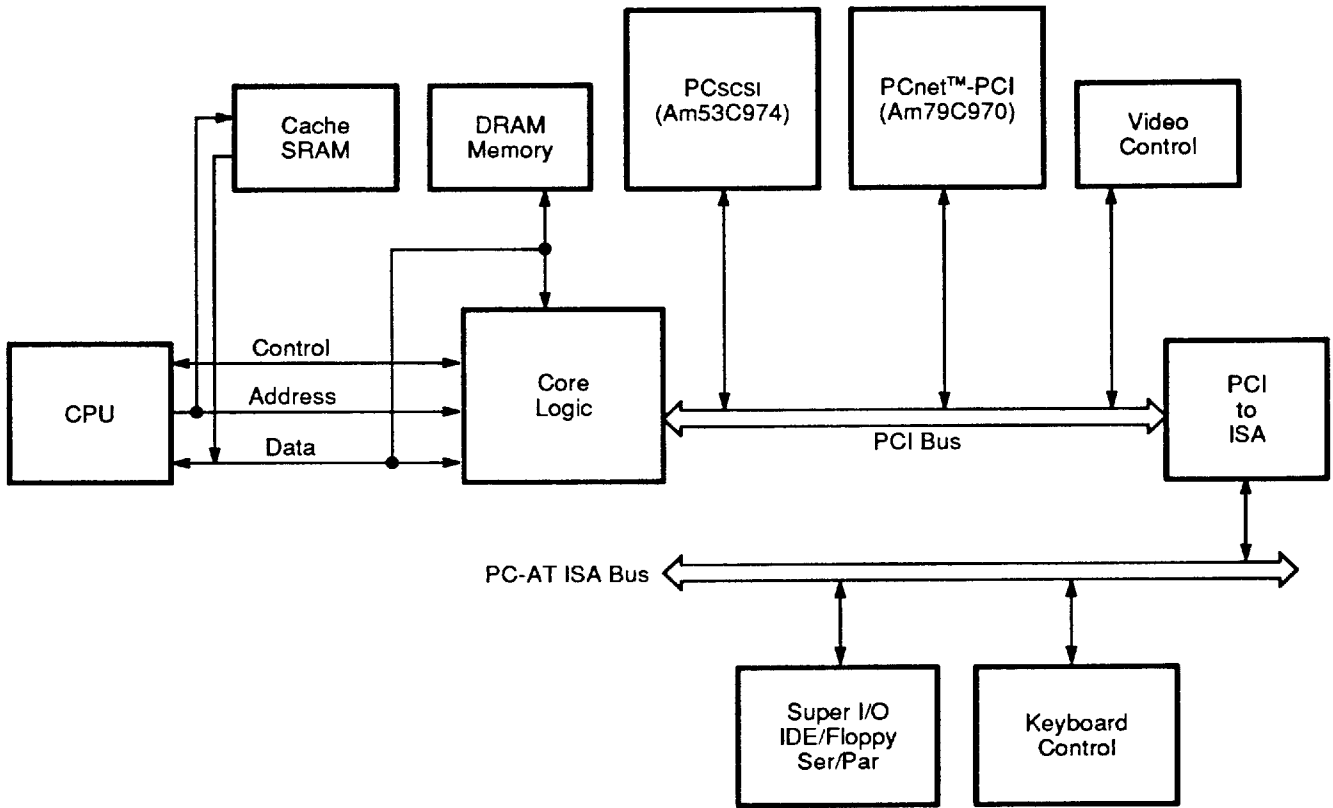
This document contains information on a product under development at Advanced Micro Devices, Inc. The information is intended to help you to evaluate this product. AMD reserves the right to change or discontinue work on this proposed product without notice.

Publication# 18248 Rev. B Amendment/0
Issue Date: November 1993

BLOCK DIAGRAM



18248B-1



18248B-2

Am53C974 in a PCI System

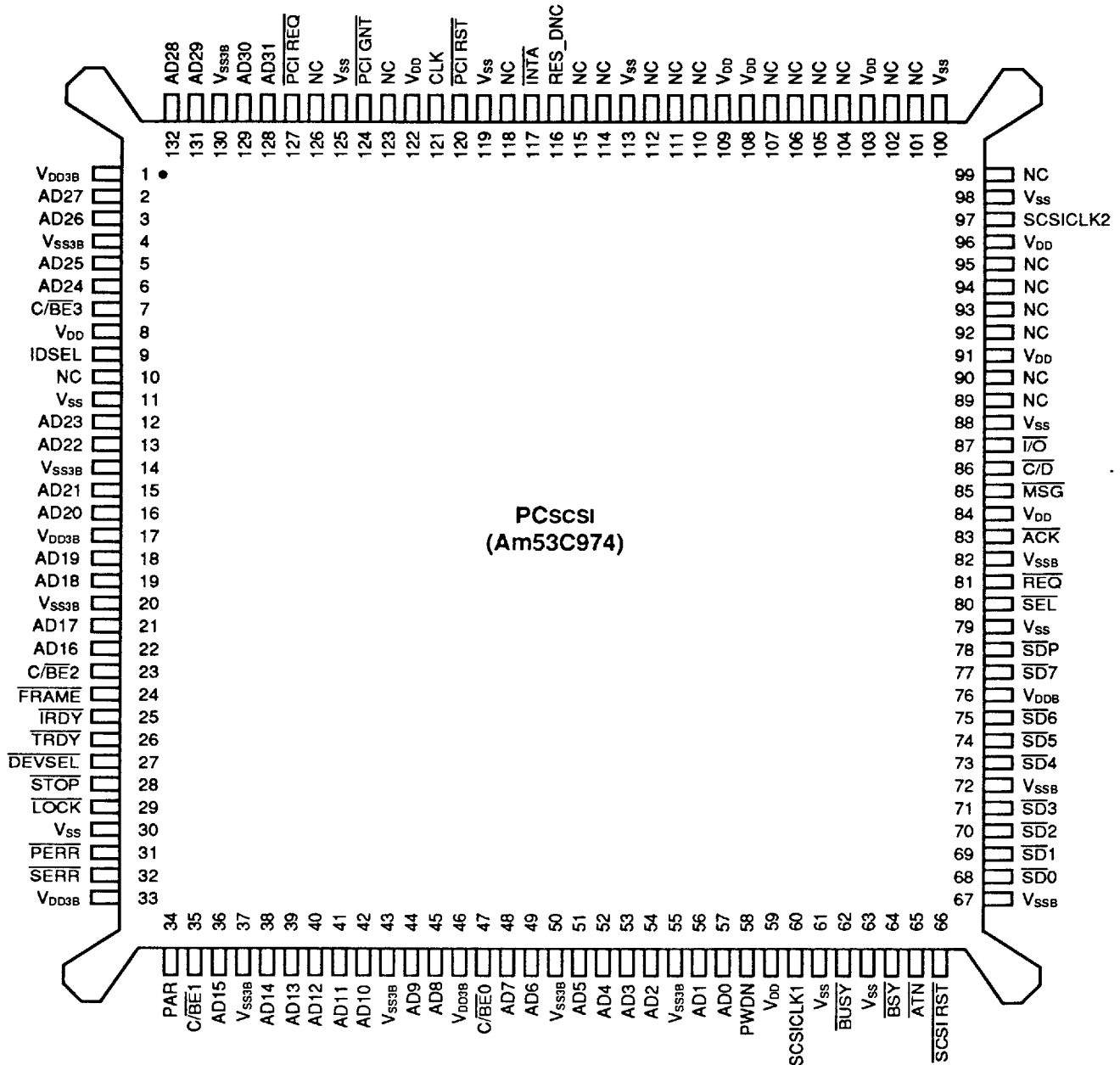
RELATED AMD PRODUCTS

Part No.	Description
Am33C93A	Synchronous SCSI Controller
Am386 [®]	High-Performance 32-Bit Microprocessor
Am486 [™]	High-Performance 32-Bit Microprocessor
Am53C94/96	High-Performance SCSI Controller
Am53CF94/96	Enhanced Fast SCSI-2 Controller
Am79C960	PCnet-ISA Single-Chip Ethernet Controller
Am79C961	PCnet-ISA [®] Single-Chip Ethernet Controller
Am79C965	PCnet-32 Single-Chip 32-Bit Ethernet Controller
Am79C970	PCnet-PCI Single-Chip Ethernet Controller for PCI Local Bus
Am85C30	Enhanced Serial Communication Controller



CONNECTION DIAGRAM

Top View



18248B-3

Notes:

- Pin 1 is marked for orientation.
- NC = Not connected; connection of an NC pin may cause a malfunction or incompatibility with other products.
- RES_DNC = Reserved_DO NOT CONNECT.

QUICK REFERENCE PIN DESCRIPTIONS

Pin Name	Pin Type	Description
PCI		
AD [31:00]	IN/OUT	Address/Data Bus
C/BE [3:0]	IN/OUT	Command/Byte Enable signals
PAR	IN/OUT	Parity Signal
FRAME	IN/OUT	Cycle Frame
TRDY	IN/OUT	Target Ready
IRDY	IN/OUT	Initiator Ready
STOP	IN/OUT	Stop
LOCK	IN/OUT	Lock
IDSEL	IN	Initialization Device Select
DEVSEL	IN/OUT	Device Select
PCI REQ	OUT	PCI Request
PCI GNT	IN	PCI Grant
CLK	IN	PCI Clock
PCI RST	IN	PCI Reset
PERR	IN/OUT	Parity Error
SERR	OUT	System Error
INTA	OUT	Interrupt
SCSI Interface		
SD [7:0]	IN/OUT	SCSI Data
SDP	IN/OUT	SCSI Data Parity
MSG	IN	Message
C/D	IN	Command/Data
I/O	IN	Input/Output
ATN	OUT	Attention
BSY	IN/OUT	Busy
SEL	IN/OUT	Select
SCSI RST	IN/OUT	SCSI Bus Reset
REQ	IN	Request
ACK	OUT	Acknowledge
Miscellaneous		
SCSI CLK1	IN	SCSI Core Clock
SCSI CLK2	IN	Chip Reset Clock
RES_DNC	IN	Reserved, DO NOT CONNECT
Power Management		
PWDN	IN	Power Down Indicator
BUSY	OUT	SCSI Bus Activity Pin
Power Supply		
V _{DD}	+5 V	
V _{SS}	GND	
V _{DDB}	+5 V (Buffer)	
V _{SSB}	GND (Buffer)	
V _{DD3B}	+5 V (PCI)	
V _{SS3B}	GND (5 V PCI)	

PQFP PIN DESIGNATIONS
Listed by Pin Number

Pin No.	Pin Name	Pin No.	Pin Name	Pin No.	Pin Name	Pin No.	Pin Name
1	V _{DD3B}	34	PAR	67	V _{SSB}	100	V _{SS}
2	AD27	35	C/ $\overline{\text{BE}}1$	68	$\overline{\text{SD}}0$	101	NC
3	AD26	36	AD15	69	$\overline{\text{SD}}1$	102	NC
4	V _{SS3B}	37	V _{SS3B}	70	$\overline{\text{SD}}2$	103	V _{DD}
5	AD25	38	AD14	71	$\overline{\text{SD}}3$	104	NC
6	AD24	39	AD13	72	V _{SSB}	105	NC
7	C/ $\overline{\text{BE}}3$	40	AD12	73	$\overline{\text{SD}}4$	106	NC
8	V _{DD}	41	AD11	74	$\overline{\text{SD}}5$	107	NC
9	IDSEL	42	AD10	75	$\overline{\text{SD}}6$	108	V _{DD}
10	NC	43	V _{SS3B}	76	V _{DDB}	109	V _{DD}
11	V _{SS}	44	AD9	77	$\overline{\text{SD}}7$	110	NC
12	AD23	45	AD8	78	$\overline{\text{SD}}P$	111	NC
13	AD22	46	V _{DD3B}	79	V _{SS}	112	NC
14	V _{SS3B}	47	C/ $\overline{\text{BE}}0$	80	$\overline{\text{SEL}}$	113	V _{SS}
15	AD21	48	AD7	81	$\overline{\text{REQ}}$	114	NC
16	AD20	49	AD6	82	V _{SSB}	115	NC
17	V _{DD3B}	50	V _{SS3B}	83	$\overline{\text{ACK}}$	116	RES_DNC
18	AD19	51	AD5	84	V _{DD}	117	$\overline{\text{INTA}}$
19	AD18	52	AD4	85	$\overline{\text{MSG}}$	118	NC
20	V _{SS3B}	53	AD3	86	$\overline{\text{C/D}}$	119	V _{SS}
21	AD17	54	AD2	87	$\overline{\text{IO}}$	120	$\overline{\text{PCI RST}}$
22	AD16	55	V _{SS3B}	88	V _{SS}	121	CLK
23	C/ $\overline{\text{BE}}2$	56	AD1	89	NC	122	V _{DD}
24	$\overline{\text{FRAME}}$	57	AD0	90	NC	123	NC
25	$\overline{\text{IRDY}}$	58	PWDN	91	V _{DD}	124	$\overline{\text{PCI GNT}}$
26	$\overline{\text{TRDY}}$	59	V _{DD}	92	NC	125	V _{SS}
27	$\overline{\text{DEVSEL}}$	60	SCSICLK1	93	NC	126	NC
28	$\overline{\text{STOP}}$	61	V _{SS}	94	NC	127	$\overline{\text{PCI REQ}}$
29	$\overline{\text{LOCK}}$	62	$\overline{\text{BUSY}}$	95	NC	128	AD31
30	V _{SS}	63	V _{SS}	96	V _{DD}	129	AD30
31	$\overline{\text{PERR}}$	64	$\overline{\text{BSY}}$	97	SCSICLK2	130	V _{SS3B}
32	$\overline{\text{SERR}}$	65	$\overline{\text{ATN}}$	98	V _{SS}	131	AD29
33	V _{DD3B}	66	$\overline{\text{SCSI RST}}$	99	NC	132	AD28

NC = No Connect

RES_DNC = Reserved_DO NOT CONNECT.

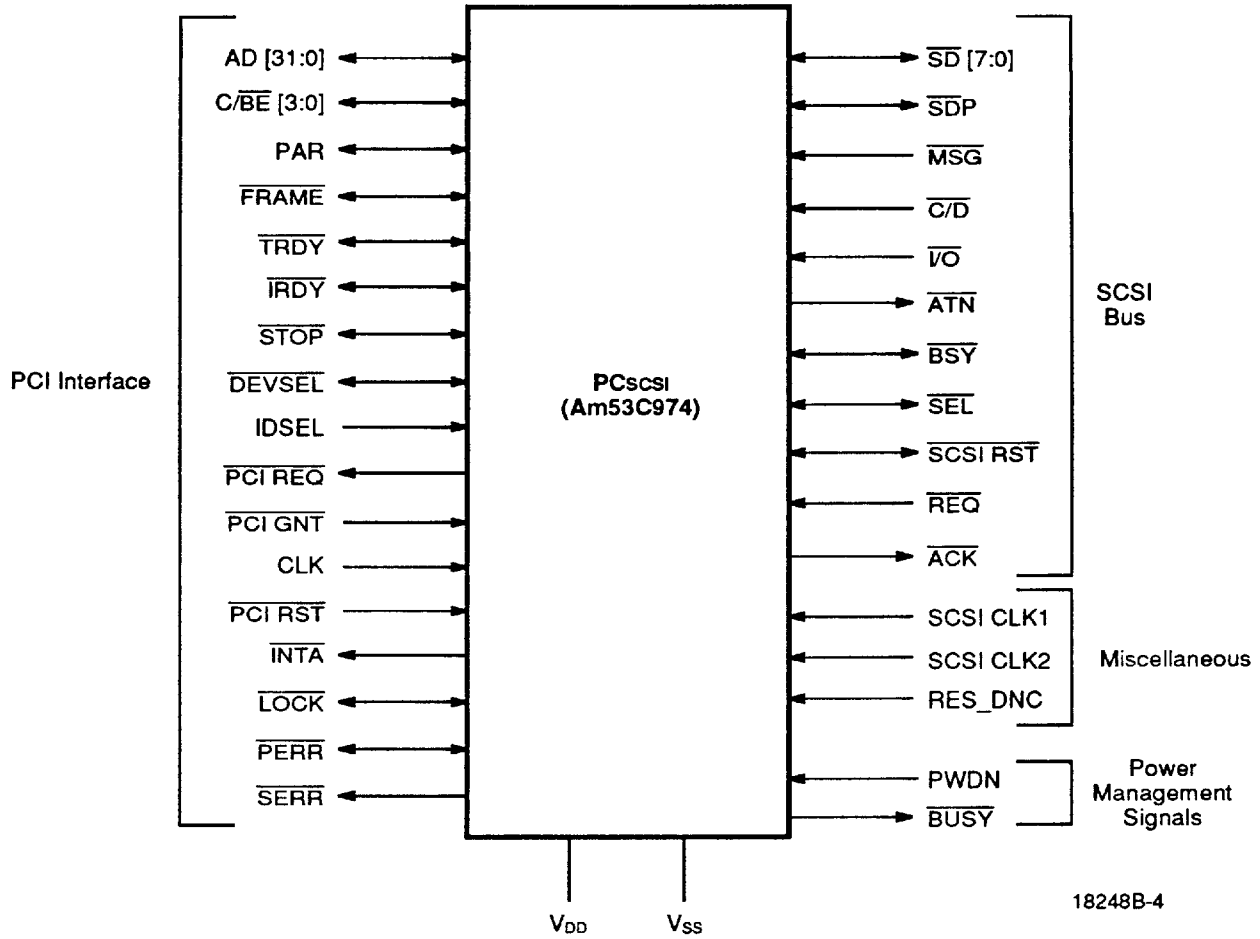
PQFP PIN DESIGNATIONS**Listed by Pin Name**

Pin Name	Pin No.	Pin Name	Pin No.	Pin Name	Pin No.	Pin Name	Pin No.
\overline{ACK}	83	\overline{ATN}	65	NC	112	V _{DD}	91
AD0	57	\overline{BSY}	64	NC	114	V _{DD}	96
AD1	56	\overline{BUSY}	62	NC	115	V _{DD}	103
AD2	54	C/ $\overline{BE0}$	47	NC	118	V _{DD}	108
AD3	53	C/ $\overline{BE1}$	35	NC	123	V _{DD}	109
AD4	52	C/ $\overline{BE2}$	23	NC	126	V _{DD}	122
AD5	51	C/ $\overline{BE3}$	7	PAR	34	V _{DD3B}	1
AD6	49	$\overline{C/D}$	86	$\overline{PCI\ GNT}$	124	V _{DD3B}	17
AD7	48	CLK	121	$\overline{PCI\ REQ}$	127	V _{DD3B}	33
AD8	45	\overline{DEVSEL}	27	$\overline{PCI\ RST}$	120	V _{DD3B}	46
AD9	44	\overline{FRAME}	24	\overline{PERR}	31	V _{DD3B}	76
AD10	42	$\overline{I/O}$	87	PWDN	58	V _{SS}	11
AD11	41	IDSEL	9	\overline{REQ}	81	V _{SS}	30
AD12	40	\overline{INTA}	117	RES_DNC	116	V _{SS}	61
AD13	39	\overline{IRDY}	25	$\overline{SCSI\ RST}$	66	V _{SS}	63
AD14	38	\overline{LOCK}	29	SCSICLK1	60	V _{SS}	79
AD15	36	\overline{MSG}	85	SCSICLK2	97	V _{SS}	88
AD16	22	NC	10	$\overline{SD0}$	68	V _{SS}	98
AD17	21	NC	89	$\overline{SD1}$	69	V _{SS}	100
AD18	19	NC	90	$\overline{SD2}$	70	V _{SS}	113
AD19	18	NC	92	$\overline{SD3}$	71	V _{SS}	119
AD20	16	NC	93	$\overline{SD4}$	73	V _{SS}	125
AD21	15	NC	94	$\overline{SD5}$	74	V _{SS3B}	4
AD22	13	NC	95	$\overline{SD6}$	75	V _{SS3B}	14
AD23	12	NC	99	$\overline{SD7}$	77	V _{SS3B}	20
AD24	6	NC	101	\overline{SDP}	78	V _{SS3B}	37
AD25	5	NC	102	\overline{SEL}	80	V _{SS3B}	43
AD26	3	NC	104	\overline{SERR}	32	V _{SS3B}	50
AD27	2	NC	105	\overline{STOP}	28	V _{SS3B}	55
AD28	132	NC	106	\overline{TRDY}	26	V _{SS3B}	130
AD29	131	NC	107	V _{DD}	8	V _{SSB}	67
AD30	129	NC	110	V _{DD}	59	V _{SSB}	72
AD31	128	NC	111	V _{DD}	84	V _{SSB}	82

NC = No Connect

RES_DNC = Reserved_DO NOT CONNECT.

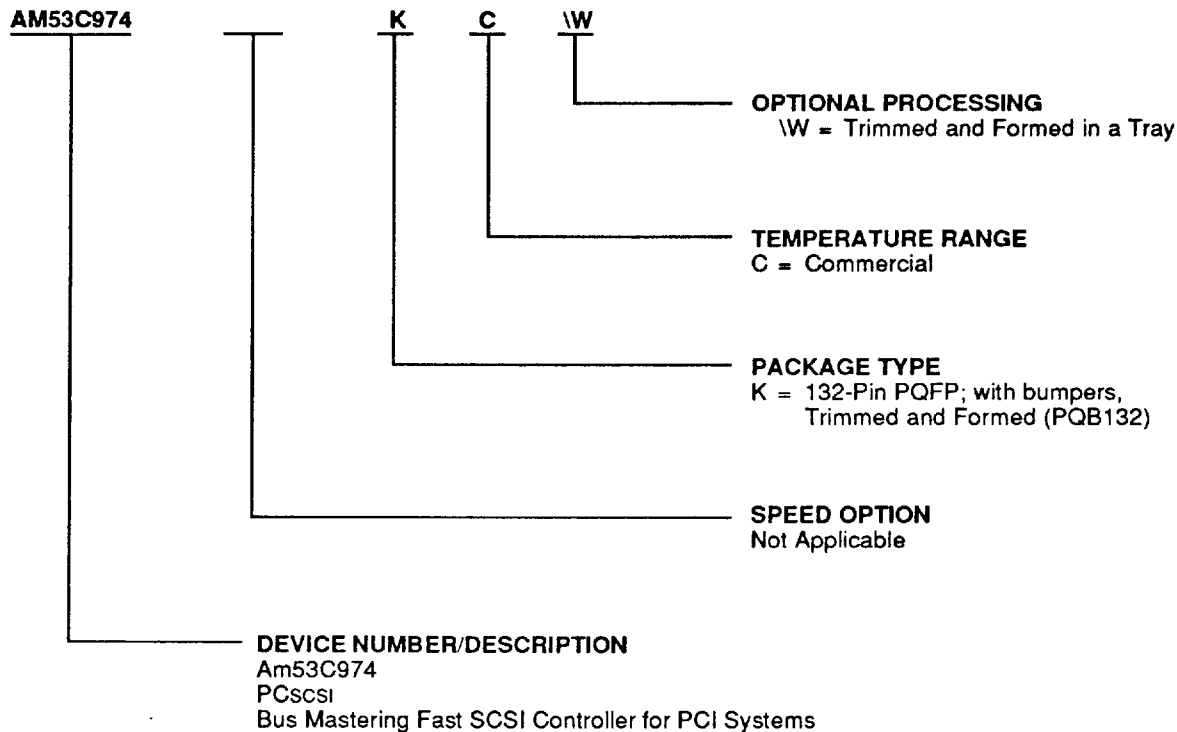
LOGIC SYMBOL



ORDERING INFORMATION

Standard Products

AMD standard products are available in several packages and operating ranges. The order number (Valid Combination) is formed by a combination of:



Valid Combinations	
AM53C974	KC W

Valid Combinations

Valid Combinations list configurations planned to be supported in volume for this device. Consult the local AMD sales office to confirm availability of specific valid combinations and to check on newly released combinations.

DETAILED PIN DESCRIPTION

PCI Bus Interface Signals

The Am53C974 is PCI compliant. The following pin descriptions have been taken from the PCI specification. For more details, refer to the PCI specification Rev 2.0.

Address and Data Pins

AD [31:00]

Address/Data

(Input/Output, Active High)

These signals are multiplexed on the same PCI pins. During the first clock of a transaction the AD [31:00] contains the physical byte address (32 bits). During the subsequent clocks AD [31:00] contains data. Little-endian byte ordering is used. AD [07:00] is defined as least significant byte and AD [31:24] is defined as the most significant byte.

When $\overline{\text{PCI RST}}$ is active, AD [31:00] are inputs for NAND tree testing.

C/ $\overline{\text{BE}}$ [3:0]

Bus Command/Byte Enable

(Input/Output, Active Low)

These signals are multiplexed on the same PCI pins. During the address phase of the transaction, C/ $\overline{\text{BE}}$ [3:0] define the bus command. During the data phase C/ $\overline{\text{BE}}$ [3:0] are used as Byte Enables. The Byte Enables define which byte lanes carry meaningful data. C/ $\overline{\text{BE}}$ 0 applies to byte 0 and C/ $\overline{\text{BE}}$ 3 applies to byte 3.

When $\overline{\text{PCI RST}}$ is active, C/ $\overline{\text{BE}}$ [3:0] are inputs for NAND tree testing.

PAR

Parity

(Input/Output, Active High)

Parity is even across AD[31:00] and C/ $\overline{\text{BE}}$ [3:0]. Parity is generated and driven during Master Address Cycle, Memory Write, I/O Read, and Configuration Read cycles. Parity is checked during Slave Address Cycle, Memory Read, I/O Write, and Configuration Write cycles.

When $\overline{\text{PCI RST}}$ is active, PAR is an input for NAND tree testing.

Interface Control Pins

$\overline{\text{FRAME}}$

Cycle Frame

(Input/Output, Active Low)

This signal is driven by the Am53C974 when it is the bus master to indicate the beginning and duration of the access. $\overline{\text{FRAME}}$ is asserted to indicate that a bus transaction is beginning. $\overline{\text{FRAME}}$ is asserted while data transfers continue. $\overline{\text{FRAME}}$ is deasserted when the transaction is in the final data phase.

When $\overline{\text{PCI RST}}$ is active, $\overline{\text{FRAME}}$ is an input for NAND tree testing.

$\overline{\text{TRDY}}$

Target Ready

(Input/Output, Active Low)

When the Am53C974 is selected as a slave, it will drive (low) this signal to indicate its ability to complete the current data phase of the transaction. As a master, this signal is an input to the Am53C974 from the selected (slave) device.

$\overline{\text{TRDY}}$ is used in conjunction with $\overline{\text{IRDY}}$ to indicate completion of the data phase. The data phase is complete (on any clock) when both $\overline{\text{TRDY}}$ and $\overline{\text{IRDY}}$ are sampled when asserted. During a read transaction, $\overline{\text{TRDY}}$ is asserted when valid data is present on AD [31:00], while during a write transaction, $\overline{\text{TRDY}}$ asserted indicates the target is prepared to accept data. Wait cycles are inserted until both $\overline{\text{IRDY}}$ and $\overline{\text{TRDY}}$ are asserted together.

When $\overline{\text{PCI RST}}$ is active, $\overline{\text{TRDY}}$ is an input for NAND tree testing.

$\overline{\text{IRDY}}$

Initiator Ready

(Input/Output, Active Low)

When the Am53C974 is the initiator (master), it will drive (low) this signal to indicate its ability to complete the current data phase of the transaction. As a slave, this signal is an input to the Am53C974 from the initiating (master) device.

$\overline{\text{IRDY}}$ is used in conjunction with $\overline{\text{TRDY}}$ to indicate completion of the data phase. The data phase is complete (on any clock) when both $\overline{\text{IRDY}}$ and $\overline{\text{TRDY}}$ are sampled when asserted. During a read transaction, $\overline{\text{IRDY}}$ asserted indicates the master is prepared to accept data, while during a write transaction, $\overline{\text{IRDY}}$ is asserted to indicate that valid data is present on AD [31:00]. Wait cycles are inserted until both $\overline{\text{IRDY}}$ and $\overline{\text{TRDY}}$ are asserted together.

When $\overline{\text{PCI RST}}$ is active, $\overline{\text{IRDY}}$ is an input for NAND tree testing.

$\overline{\text{STOP}}$

Stop

(Input/Output, Active Low)

In the slave role the Am53C974 drives the $\overline{\text{STOP}}$ signal to indicate to the bus master to stop the current transaction. In the bus master role the Am53C974 receives the $\overline{\text{STOP}}$ signal and stops the current transaction.

When $\overline{\text{PCI RST}}$ is active, $\overline{\text{STOP}}$ is an input for NAND tree testing.

LOCK**Lock****(Input/Output, Active Low)**

In the master role the Am53C974 drives the $\overline{\text{LOCK}}$ signal to indicate to the slave device that multiple transactions may be necessary to complete an operation. When $\overline{\text{LOCK}}$ is asserted, non-exclusive transactions may proceed. Control of $\overline{\text{LOCK}}$ is obtained under its own protocol in conjunction with $\overline{\text{GNT}}$. In the slave role the Am53C974 receives the $\overline{\text{LOCK}}$ signal from the master.

When $\overline{\text{PCI RST}}$ is active, $\overline{\text{LOCK}}$ is an input for NAND tree testing.

Note:

In the current implementation, the Am53C974 as a master will never generate a $\overline{\text{LOCK}}$. However, in slave role the chip will respond to a $\overline{\text{LOCK}}$ asserted by a master.

IDSEL**Initialization Device Select****(Input, Active High)**

This signal is used as a chip select for the Am53C974 in lieu of the 24 address lines during configuration read and write transaction.

When $\overline{\text{PCI RST}}$ is active, IDSEL is an input for NAND tree testing.

DEVSEL**Device Select****(Input/Output, Active Low)**

This signal when actively driven by the Am53C974 as a slave device signals to the master device that it has decoded its address as the target of the current access. As an input it indicates whether any device on the bus has been selected.

When $\overline{\text{PCI RST}}$ is active, $\overline{\text{DEVSEL}}$ is an input for NAND tree testing.

Arbitration Pins**PCI REQ****PCI Request****(Output, Active Low)**

This signal indicates to the arbiter that the Am53C974 desires use of the bus. This is a point to point signal. Every master has its own $\overline{\text{REQ}}$ which will be tri-stated after a power-up or a chip reset.

When $\overline{\text{PCI RST}}$ is active, $\overline{\text{PCI REQ}}$ is an input for NAND tree testing.

PCI GNT**PCI Grant****(Input, Active Low)**

This signal indicates that the access to the bus has been granted to the Am53C974. This is a point to point signal. Every master has its own $\overline{\text{GNT}}$.

When $\overline{\text{PCI RST}}$ is active, $\overline{\text{PCI GNT}}$ is an input for NAND tree testing.

System Pins**CLK****Clock****(Input)**

This signal provides timing for all the transactions on the PCI bus and all PCI devices on the bus including the Am53C974. All signals are sampled on the rising edge of CLK and all parameters are defined with respect to this edge. The Am53C974 operates at a frequency of up to 33 MHz.

When $\overline{\text{PCI RST}}$ is active, CLK is an input for NAND tree testing.

PCI RST**PCI Reset****(Input, Active Low)**

This signal forces the Am53C974 Sequencer to a known state. All Three-State bi-directional signals are forced to a high impedance state and all Sustained Open Drain signals are allowed to float high. The Am53C974 arbiter will tristate $\overline{\text{PCI REQ}}$ if it is a master. This signal completely resets the SCSI core. $\overline{\text{PCI RST}}$ may be asynchronous to the CLK when asserted or deasserted. It is recommended that the deassertion be synchronous to guarantee clean and bounce free edge.

When $\overline{\text{PCI RST}}$ is active, NAND tree testing is enabled. All PCI interface pins are in input mode. The result of the NAND tree testing can be observed on the $\overline{\text{BUSY}}$ output (pin 62).

Error Reporting Pins**PERR****Parity Error****(Input/Output, Active Low, Open Drain)**

This signal may be pulsed by the Am53C974 when it detects a parity error during a data phase when its AD[31:00] and C/ $\overline{\text{BE}}$ [3:0] lines are inputs.

When $\overline{\text{PCI RST}}$ is active, $\overline{\text{PERR}}$ is an input for NAND tree testing.

SERR**System Error****(Output, Active Low, Open Drain)**

This signal may be pulsed by the Am53C974 for reporting address parity errors.

When $\overline{\text{PCI RST}}$ is active, $\overline{\text{SERR}}$ is an input for NAND tree testing.

Interrupt Request Pins

$\overline{\text{INTA}}$

**Interrupt Request
(Output, Active Low)**

This signal combines the interrupt request from both the DMA engine and the SCSI core. The interrupt source can be determined by reading the DMA Status Register. It is cleared when the Status Register is read.

When $\overline{\text{PCI RST}}$ is active, $\overline{\text{INTA}}$ is an input for NAND tree testing.

SCSI Bus Interface Signals

SCSI Bus Pins

$\overline{\text{SD}} [7:0]$

SCSI Data

(Input/Output, Active Low, Open Drain/Active Negation, Schmitt Trigger)

These pins are defined as bi-directional SCSI data bus.

$\overline{\text{SDP}}$

SCSI Data Parity

(Input/Output, Active Low, Open Drain/Active Negation, Schmitt Trigger)

This pin is defined as bi-directional SCSI data parity.

$\overline{\text{MSG}}$

Message

(Input, Active Low, Schmitt Trigger)

It is a Schmitt trigger input in the initiator mode.

$\overline{\text{C/D}}$

Command/Data

(Input, Schmitt Trigger)

It is a Schmitt trigger input in the initiator mode.

$\overline{\text{I/O}}$

Input/Output

(Input, Schmitt Trigger)

It is a Schmitt trigger input in the initiator mode.

$\overline{\text{ATN}}$

Attention

(Output, Active Low)

This signal is a 48 mA output in the initiator mode. This signal will be asserted when the device detects a parity error; also, it can be asserted via certain commands.

$\overline{\text{BSY}}$

Busy

(Input/Output, Active Low, Schmitt Trigger, Open Drain)

As a SCSI input signal it has a Schmitt trigger and as an output signal it has a 48 mA drive.

$\overline{\text{SEL}}$

Select

(Input/Output, Active Low, Schmitt Trigger, Open Drain)

As a SCSI input signal it has a Schmitt trigger and as an output signal it has a 48 mA drive.

$\overline{\text{SCSI RST}}$

Reset

(Input/Output, Active Low, Schmitt Trigger, Open Drain)

As a SCSI input signal it has a Schmitt trigger and as an output signal it has a 48 mA drive. The Reset SCSI command will cause the device to drive $\overline{\text{SCSI RST}}$ active for 25 ms – 40 ms depending on the CLK frequency and the conversion factor.

$\overline{\text{REQ}}$

Request

(Input, Active Low, Schmitt Trigger)

This is a SCSI input signal with a Schmitt trigger in the initiator mode.

$\overline{\text{ACK}}$

Acknowledge

(Output, Active Low, Open Drain/Active Negation)

This is a SCSI output signal with a 48 mA drive in the initiator mode.

Power Management Signals

$\overline{\text{PWDN}}$

Power Down Indicator

(Input, Active High)

This signal, when asserted, sets the PWDN status bit in the DMA status register and sends an interrupt to the host.

$\overline{\text{BUSY}}$

SCSI Devices Busy

(Output, Active Low)

This signal is logically equivalent to the SCSI bus signal $\overline{\text{BSY}}$. It is duplicated so that external logic can be connected to monitor SCSI bus activity.

The results of the NAND tree testing can be observed on the $\overline{\text{BUSY}}$ pin. $\overline{\text{BUSY}}$ will reflect the state of the SCSI Bus Signal line $\overline{\text{BSY}}$ (pin 64) when $\overline{\text{PCI RST}}$ is deasserted.

Miscellaneous Signals

SCSI CLK1

SCSI Clock (Input)

The SCSI clock signal is used to generate all internal device timings. The maximum frequency of this input is 40 MHz and a minimum of 10 MHz is required to maintain the SCSI bus timings.

Note:

A 40 MHz clock must be supplied at this input to achieve 10 Mbyte/s Synchronous Fast SCSI transfers.

SCSI CLK2

SCSI Clock (Input)

This clock is required for a proper reset of the Am53C974. A minimum of 30 clock periods are needed to reset the chip properly. The clock value must be between 16 MHz and 40 MHz. For board layout convenience, SCSI CLK1 and SCSI CLK2 may be connected to a common clock source.

RES_DNC

Reserved_DO NOT CONNECT (Input)

This pin (#116) is reserved for internal test logic. It **MUST NOT BE CONNECTED** to anything for proper chip operation.

Power Supply Pins

V_{DD}

+5 V Power (Input)

These inputs provide power necessary to operate the Am53C974. All V_{DD} pins must be connected.

V_{DDB}

+5 V Power (Input)

These inputs are for SCSI Buffers. These pins can be connected to the V_{DD} pins.

V_{DD3B}

+5 V Power (Input)

All V_{DD3B} pins must be connected to a +5 V supply. These inputs are for PCI interface block.

V_{SS}/V_{SSB}/V_{SS3B}

Ground (Input)

These inputs provide the necessary grounds to operate the Am53C974. The V_{SSB}s, V_{SS3B}s and V_{SS}s must be connected together.

FUNCTIONAL DESCRIPTION

This section covers the registers, commands, and operation of each of the three blocks: SCSI, DMA/FIFO, and PCI. The PCI Configuration space and the I/O address space are also covered.

I/O Address Map

The SCSI Core and DMA registers are addressed using the Base address register (10h) value. The SCSI registers occupy 16 double words and the DMA engine registers occupy 8 double word locations. The I/O address map is as follows:

Start Offset	End Offset	Block Name	Size
0x0000	0x003F	SCSI Core Reg	16 DW/64B
0x0040	0x005F	PCI DMA CCB	8 DW/32B

The PCI configuration space, DMA and SCSI Core registers are described in the following sections.

PCI Interface

Configuration Registers

PCI configuration registers are used to determine which devices are in the system, and are also used to setup the configuration of those devices. Configuration registers are accessible only by PCI configuration cycles.

The Am53C974 supports the *Vendor ID*, *Device ID*, *Command and Status register* in the header, for PCI compliancy. Implementation of the other registers is optional depending on device functionality. Only the registers that are supported by the Am53C974 are described in this section. Please see the *PCI specification* for more detailed information on PCI registers.

Am53C974 supports the 64 byte predefined header portion (00h to 3Fh) of the 256 (100h) byte PCI configuration space. All of the device specific registers are in locations 64–255. All multi-byte numeric fields follow “little-endian” ordering. That is, lower addresses contain the least significant parts of the field. Table 1 shows the PCI configuration space header.

Table 1. The PCI Configuration Space Header

31		16		15		0		Address Offset
Device ID				Vendor ID				00h
Status				Command				04h
Base Class		Sub Class		Prog. If.		Revision ID		08h
BIST*		Header Type*		Latency Timer		Cache Line Size*		0Ch
Base Address								10h
Base Address*								14h
Base Address*								18h
Base Address*								1Ch
Base Address*								20h
Base Address*								24h
Reserved*								28h
Reserved*								2Ch
Expansion ROM Base Address*								30h
Reserved*								34h
Reserved*								38h
Max_Lat*		Min_Gnt*		Interrupt Pin		Interrupt Line		3Ch
Reserved		Reserved		Reserved		Reserved		40h**
Reserved		Reserved		Reserved		Reserved		44h**
Reserved		Reserved		Reserved		Reserved		48h**
Reserved		Reserved		Reserved		Reserved		4Ch**

* Not Implemented on Am53C974. Writes to these locations will have no effect; reads from these locations will return '00h'.

** Reserved for SCSI software.

Vendor ID Register**Address 00h**
(Read Only)

This register identifies the manufacturer Advanced Micro Devices, Inc. (AMD). The vendor ID is '1022h'.

Device ID Register**Address 02h**
(Read Only)

This register uniquely identifies this device within AMD's product line. The Am53C974 Device ID is '2020h'.

Command Register**Address 04h**
(Read/Write)

The Command Register is used to control the gross functionality of the device. It controls the device's ability to generate and respond to PCI bus cycles. To logically disconnect the Am53C974 device from all PCI bus cycles except Configuration cycles, a value of zero should be written to this register.

Status Register**Address 06h**
(Read/Write)

The Status register is used to read status information for the PCI bus. Reads to this register function normally, however writes function differently. On a write, bits may be reset (from 1 to 0), but not set.

Revision ID Register**Address 08h**
(Read Only)

This register specifies the device specific revision number. The current value of this register is '00h'.

Programming Interface Register**Address 09h**
(Read Only)

This register identifies the programming interface of this device. The value in this register is 00h.

Sub-Class Register**Address 0Ah**
(Read Only)

This register identifies this device as a SCSI Controller. The value in this register is '00h'.

Base Class Register**Address 0Bh**
(Read Only)

This register identifies this device as a Mass Storage controller. The value in this register is '01h'.

Latency Timer Register**Address 0Dh**
(Read Only)

The Latency Timer register is an 8-bit register specifying the maximum time the Am53C974 can continue with bus master transfers after the system arbiter has removed $\overline{\text{GNT}}$. The time is measured in CLK cycles. The working copy of the timer will start counting down when the Am53C974 asserts $\overline{\text{FRAME}}$ for the first time during a bus mastership period.

The value for the Am53C974 Latency Timer register is '00h'.

Base Address Register**Address 10h**
(Read/Write)

This register defines the I/O addresses used by the Am53C974. When this register is written, the register value identifies the I/O address occupied.

Interrupt Line Register

**Address 3Ch
(Read/Write)**

The interrupt line register is used to communicate the routing of the interrupt. This register is written by the POST (Power-On Self Test) software as it initializes the PCI devices in the system.

Interrupt Pin Register

**Address 3Dh
(Read Only)**

This register identifies the interrupt pin used by Am53C974. This register will contain a value of '1' because the Am53C974 is using INTA.

Reserved Register

**Address 40h
(Read/Write)**

This register is a 32 bit read/write register which is currently undefined. Writes to this register will store data, and reads from this register reflect the data stored in this register.

Bus Cycle Definition

The following table defines the PCI bus cycles:

Cycle	Bus Cycle Type	Mode Supported
C/BE [3:0]		
0000	Interrupt ACK	*
0001	Special Cycle	*
0010	I/O Read	Slave
0011	I/O Write	Slave
0100	Reserved	*
0101	Reserved	*
0110	Memory Read	Master
0111	Memory Write	Master
1000	Reserved	*
1001	Reserved	*
1010	Config. Read	Slave
1011	Config. Write	Slave
1100	Memory Read Multiple	*
1101	Dual Address Cycle	*
1110	Mem. Read Line	Master
1111	Memory Write & Invalidate	*

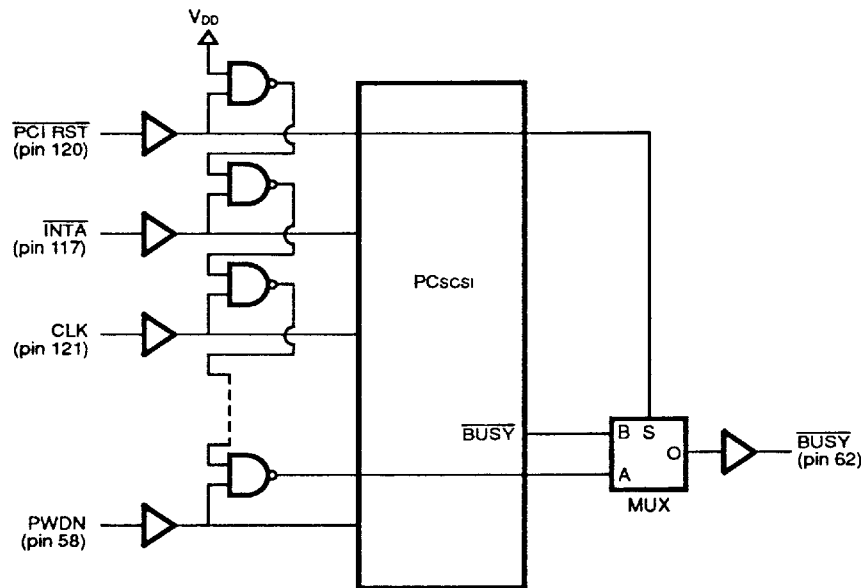
* These cycles are ignored by the Am53C974.

Refer to the technical manual for detailed bus cycle diagrams and explanations.

NAND Tree Testing

The Am53C974 PCscsi controller provides a NAND tree test mode to allow checking connectivity to the device on a printed circuit board. The NAND tree is built on all PCI bus signals (see Figure 1 and Table 2).

The NAND tree testing is enabled by asserting PCI RST. All PCI signals will become inputs when PCI RST is asserted. The result of the NAND tree test can be observed on the BUSY pin.



18248B-5

Figure 1. NAND Tree

As shown in Figure 1, Pin 120 ($\overline{\text{PCI RST}}$) is the first input to the NAND tree. Pin 117 ($\overline{\text{INTA}}$) is the second input to the NAND tree, followed by pin 121 (CLK). All other PCI bus signals follow, counterclockwise, with pin 58

(PWDN) being the last. Pins labeled NC and all power supply pins are not part of the NAND tree. The complete list of pins connected to the NAND tree is shown in Table 2.

Table 2. The NAND Tree Connection Pins

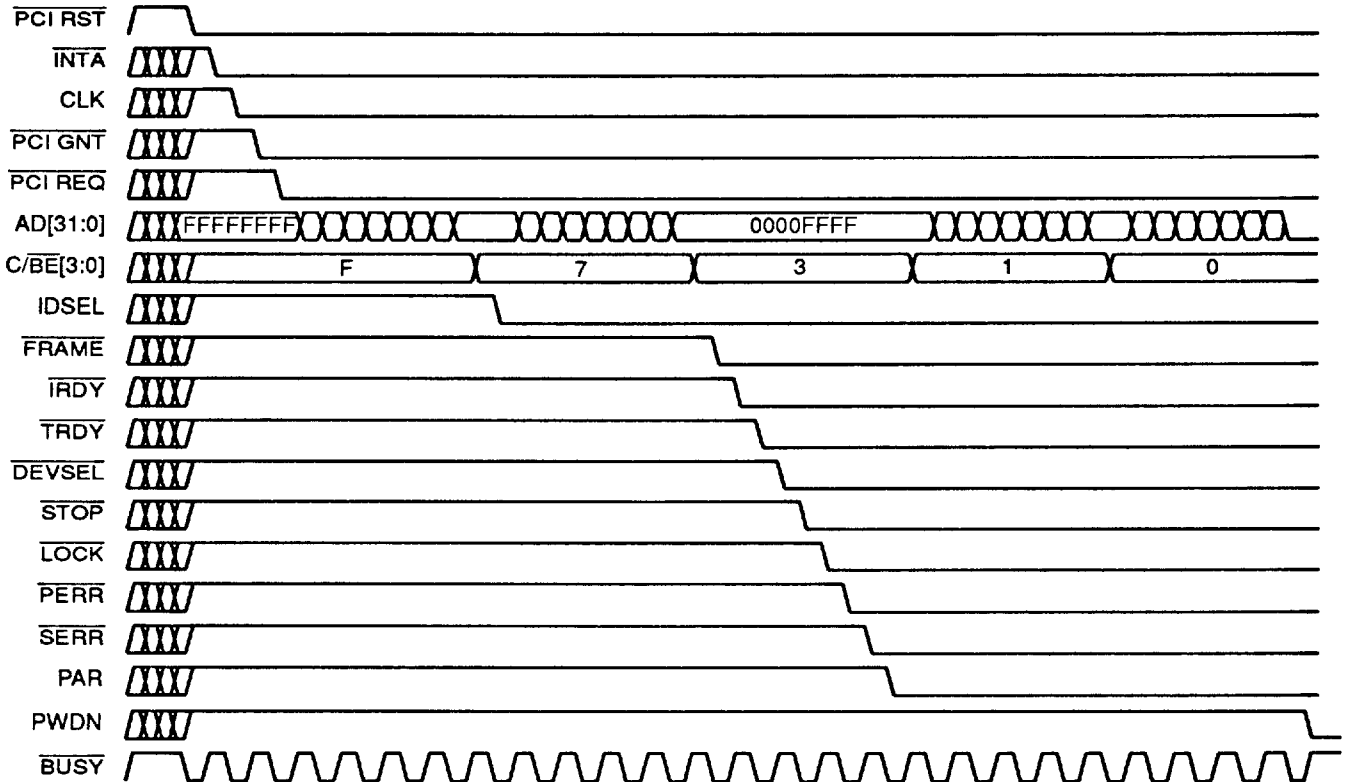
NAND Tree Input #	Pin #	Name	NAND Tree Input #	Pin #	Name	NAND Tree Input #	Pin #	Name
1	120	$\overline{\text{PCI RST}}$	19	16	AD20	37	39	AD13
2	117	$\overline{\text{INTA}}$	20	18	AD19	38	40	AD12
3	121	CLK	21	19	AD18	39	41	AD11
4	124	$\overline{\text{PCI GNT}}$	22	21	AD17	40	42	AD10
5	127	$\overline{\text{PCI REQ}}$	23	22	AD16	41	44	AD9
6	128	AD31	24	23	$\overline{\text{C/BE2}}$	42	45	AD8
7	129	AD30	25	24	$\overline{\text{FRAME}}$	43	47	$\overline{\text{C/BE0}}$
8	131	AD29	26	25	$\overline{\text{IRDY}}$	44	48	AD7
9	132	AD28	27	26	$\overline{\text{TRDY}}$	45	49	AD6
10	2	AD27	28	27	$\overline{\text{DEVSEL}}$	46	51	AD5
11	3	AD26	29	28	$\overline{\text{STOP}}$	47	52	AD4
12	5	AD25	30	29	$\overline{\text{LOCK}}$	48	53	AD3
13	6	AD24	31	31	$\overline{\text{PERR}}$	49	54	AD2
14	7	$\overline{\text{C/BE3}}$	32	32	$\overline{\text{SERR}}$	50	56	AD1
15	9	IDSEL	33	34	PAR	51	57	AD0
16	12	AD23	34	35	$\overline{\text{C/BE1}}$	52	58	PWDN
17	13	AD22	35	36	AD15			
18	15	AD21	36	38	AD14			

$\overline{\text{PCI RST}}$ must be asserted low to start a NAND tree test sequence. Initially, all NAND tree inputs except $\overline{\text{PCI RST}}$ should be driven high. This will result in a low output at the $\overline{\text{BUSY}}$ pin. If the NAND tree inputs are deasserted in the same order as they are connected to build the NAND tree, $\overline{\text{BUSY}}$ will toggle every time an additional input is deasserted. $\overline{\text{BUSY}}$ will change to a ONE, when $\overline{\text{INTA}}$ is deasserted and all other NAND tree inputs stay high. $\overline{\text{BUSY}}$ will toggle back to low, when CLK is additionally deasserted. The square wave will continue until all NAND tree inputs are deasserted. $\overline{\text{BUSY}}$ will be high, when all NAND tree inputs are deasserted (see Figure 2).

When testing is complete, deassert $\overline{\text{PCI RST}}$ to exit this test mode.

Note:

Some of the pins connected to the NAND tree are outputs in normal mode of operation. They must not be driven from an external source until the Am53C974 controller is configured for NAND tree testing.



18248B-6

Figure 2. NAND Tree Waveform

DMA Engine and FIFOs

FIFOs

The Am53C974 acts as a bridge between the PCI and SCSI buses. As the maximum data transfer rate on the PCI bus is a very high 132 Mbyte/s compared with the SCSI bus 10 Mbyte/s, buffering is required between the two buses. The buffering is provided by two FIFOs: 16-byte (16X8 bits) SCSI Core FIFO and an additional 96-byte (24X32 bits) DMA FIFO. These FIFOs provide a temporary storage for all command, data, status and message bytes as they are transferred between the 32-bit PCI bus and the 8-bit SCSI bus.

DMA Registers

The following is a description of the DMA register set or the DMA Channel Context Block (DMA CCB). The register addresses are referenced with the PCI configuration Base Register (10h) contents, represented by (B) in the Table 3.

The DMA registers control the DMA stage and transfer length and allow the programmer to specify a scatter-gather list that is stored in main memory. The MDL scatter-gather list will be described later. The three read-only working counter registers allow the system software and other driver layers to monitor the DMA transaction while it is in progress.

Table 3. The DMA Registers

Register Acronym	Addr (Hex)	Register Description	Type
CMD	(B)+40	Command (bits 31:8 reserved, bits 7:0 used)	R/W
STC	(B)+44	Starting Transfer Count (bits 31:24 reserved, bits 23:0 used)	R/W
SPA	(B)+48	Starting Physical Address (bits 31:0 used)	R/W
WBC	(B)+4C	Working Byte Counter	R
WAC	(B)+50	Working Address Counter (bits 31:0 used)	R
STATUS	(B)+54	Status Register (bits 31:8 reserved, bits 7:0 used)	R
SMDLA	(B)+58	Starting Memory Descriptor List (MDL) Address	R/W
WMAC	(B)+5C	Working MDL Counter	R

Command Register (CMD)

The upper 3 bytes of Command register are reserved, the remaining (LSB) byte is defined as follows:

Address (B)+40h, LSB				READ/WRITE			
7	6	5	4	3	2	1	0
DIR	INTE_D	INTE_P	MDL	Reserved	Reserved	CMD1	CMD0

DIR:

Data transfer direction bit.

INTE_D:

DMA transfer active interrupt bit.

INTE_P:

Page transfer active interrupt bit.

MDL:

Memory Descriptor List (MDL) SPA enable bit.

RESERVED:

Reserved for future expansion. The zero value must be written in these bits.

CMD1-0:

These two bits are encoded to represent three commands: IDLE, START, and ABORT.

CMD1	CMD0	Command	Description
0	X	IDLE	The DMA channel is inactive. Writes of these values are NOPs.
1	0	ABORT	Terminate the current DMA transfer. Note: This is only valid after a START command is issued.
1	1	START	Initiate a new DMA transfer. This bit remains set throughout the entire DMA operation until bit 3 in the DMA status register is set. Note: The software should issue a START command only after all other control bits have been initialized.

Starting Transfer Count (STC)

Address (B)+44h
Read/Write

The STC register is a 24-bit read/write value that contains the number of bytes to be transferred. This register is not modified by the DMA transfer logic, and can be read by the software at any time. The system software can modify this register after the DMA transfer has been started.

Starting Physical Address (SPA)

Address (B)+48h
Read/Write

The SPA register is a 32-bit read/write address that is used as the starting address value for the DMA transfer. This register is not modified by the DMA transfer logic, and can be read by the software at any time. The system software can modify this register after the DMA transfer has been started.

Working Byte Counter (WBC)

Address (B)+4Ch
Read

The WBC register is a 24-bit read-only counter that is initialized to the value in the STC register when the transfer begins. It decrements by 1, 2, or 4 as data is sent to the PCI Bus by the controller. When the DMA transfer stops, a non zero value in this register indicates that the operation aborted earlier than expected (i.e. an error occurred). This register's intermediate values can be read by software in between DMA burst transactions.

Working Address Counter (WAC)

Address (B)+50h
Read

The WAC register is a 32-bit read-only address that is initialized to the value in the SPA register when the transfer begins. It increments as data is processed by the DMA channel, and will contain the address after the last access when the transfer terminates. This register's intermediate values can be read by software in between DMA burst transactions.

Status Register (Status)

The upper 3 bytes of the Status register are reserved, the remaining (LSB) byte is defined as follows:

Address (B)+54h, LSB

READ

7	6	5	4	3	2	1	0
Reserved	Reserved	Reserved	SCSIINT	DONE	ABORT	ERROR	PWDN

The status Flags report the state of the DMA channel, any termination condition and SCSI interrupt.

RESERVED:

Reserved bits.

SCSIINT:

SCSI core interrupt bit.

DONE:

DMA transfer request termination bit.

ABORT:

DMA transfer request abort bit.

ERROR:

DMA transfer request termination with an error condition bit.

PWDN:

PWDN pin status bit.

Starting Memory Descriptor List Address (SMDLA)

Address (B)+58H
Read/Write

The SMDLA register is a 32-bit read/write address that is used as the starting address of the scatter-gather Memory Descriptor List. This register is not modified by the DMA transfer logic, and can be read by the software at any time. The system software can modify this register after the DMA transfer has been started.

Note:

The MDL start address must be word aligned since the hardware ignores non-zero values written to the two low address bits.

Working MDL Address Counter (WMAC)

Address (B)+5CH
Read

The WMAC register is a 32-bit read-only address that is initialized to the value in the SMDLA register when the transfer begins. It increments by 4 as new MDL entries are fetched by the DMA channel, and will contain the address after the last MDL read when the transfer terminates. This register's intermediate values can be read by software in between DMA burst transactions.

DMA Scatter-Gather Mechanism

The Am53C974 contains a scatter-gather translation mechanism which facilitates faster I/O data transfers. The mechanism uses a list of page frame addresses stored in system main memory that is called a Memory Descriptor List (MDL). The MDL page frame address allows a single SCSI transfer to read or write to non-contiguous address memory locations. The design eliminates the need for copying either the transfer data or the MDL locations.

SCSI Core

The SCSI core description covers a summary of the register definitions and the commands used by the SCSI core.

The actual register data occupies the least significant byte (LSB) of that particular double word address. Registers are accessed by specifying the base address (B) and the offset value specified below.

Registers

In the Am53C974, each SCSI register is mapped to a double-word address space, as shown in Table 4.

The Am53C974's base address is stored in register '10h.'

Table 4. SCSI Register Map

Register Acronym	Address (Hex.)	Register Description	Operation
CTCREG	(B)+00	Current Transfer Count Register Low	Read
STCREG	(B)+00	Start Transfer Count Register Low	Write
CTCREG	(B)+04	Current Transfer Count Register Middle	Read
STCREG	(B)+04	Start Transfer Count Register Middle	Write
FFREG	(B)+08	FIFO Register	Read/Write
CMDREG	(B)+0C	Command Register	Read/Write
STATREG	(B)+10	Status Register	Read
SDIDREG	(B)+10	SCSI Destination ID Register	Write
INSTREG	(B)+14	Interrupt Status Register	Read
STIMREG	(B)+14	SCSI Timeout Register	Write
ISREG	(B)+18	Internal State Register	Read
STPREG	(B)+18	Synchronous Transfer Period Register	Write
CFIREG	(B)+1C	Current FIFO/Internal State Register	Read
SOFREG1	(B)+1C	Synchronous Offset Register	Write
CNTLREG1	(B)+20	Control Register One	Read/Write
CLKFREG	(B)+24	Clock Factor Register	Write
RES	(B)+28	Reserved	Write
CNTLREG2	(B)+2C	Control Register Two	Read/Write
CNTLREG3	(B)+30	Control Register Three	Read/Write
CNTLREG4	(B)+34	Control Register Four	Read/Write
CTCREG	(B)+38	Current Transfer Count Register High/Part Unique ID Code	Read
STCREG	(B)+38	Start Transfer Count Register High	Write
RES	(B)+3C	Reserved	Write

Register Descriptions

The SCSI registers are described briefly in the following section. The bit map of the LSB reflects the default state after power-up or chip reset.

Current Transfer Count Register (CTCREG)

Address (B)+38H READ ONLY

7	6	5	4	3	2	1	0
CRVL23	CRVL22	CRVL21	CRVL20	CRVL19	CRVL18	CRVL17	CRVL16
X	X	X	X	X	X	X	X

Address (B)+04H READ ONLY

7	6	5	4	3	2	1	0
CRVL15	CRVL14	CRVL13	CRVL12	CRVL11	CRVL10	CRVL9	CRVL8
X	X	X	X	X	X	X	X

Address (B)+00H READ ONLY

7	6	5	4	3	2	1	0
CRVL7	CRVL6	CRVL5	CRVL4	CRVL3	CRVL2	CRVL1	CRVL0
X	X	X	X	X	X	X	X

CRVL 23:0 – Current Value 23:0

This is a three-byte register which decrements to keep track of the number of bytes transferred during a DMA transfer.

Start Transfer Count Register (STCREG)

Address (B)+38H WRITE ONLY

7	6	5	4	3	2	1	0
STVL23	STVL22	STVL21	STVL20	STVL19	STVL18	STVL17	STVL16
X	X	X	X	X	X	X	X

Address (B)+04H WRITE ONLY

7	6	5	4	3	2	1	0
STVL15	STVL14	STVL13	STVL12	STVL11	STVL10	STVL9	STVL8
X	X	X	X	X	X	X	X

Address (B)+00H WRITE ONLY

7	6	5	4	3	2	1	0
STVL7	STVL6	STVL5	STVL4	STVL3	STVL2	STVL1	STVL0
X	X	X	X	X	X	X	X

STVL 23:0 – Start Value 23:0

This is a three-byte register which contains the number of bytes to be transferred during a DMA operation.

Note:

The Start Transfer Count register and the STC register of the DMA Engine should be programmed with the same value.

SCSI FIFO Register (FFREG)

Address (B)+08H READ/WRITE

7	6	5	4	3	2	1	0
FF7	FF6	FF5	FF4	FF3	FF2	FF1	FF0
0	0	0	0	0	0	0	0

FF 7:0 – FIFO 7:0

The bottom of the SCSI FIFO is mapped to this register.

SCSI Command Register (CMDREG)

Address (B)+ 0Ch READ/WRITE

7	6	5	4	3	2	1	0
DMA	CMD6	CMD5	CMD4	CMD3	CMD2	CMD1	CMD0
X	X	X	X	X	X	X	X

Commands to the SCSI core are issued by writing to this register which is two bytes deep.

DMA – Direct Memory Access

This bit notifies the device that the command is a DMA instruction.

CMD 6:0 – Command 6:0

These command bits decode the commands that the device needs to perform.

SCSI Status Register (STATREG)

Address (B)+10H READ

7	6	5	4	3	2	1	0
INT	IOE	PE	CTZ	RES	MSG	C/D	I/O
0	0	0	0	X	X	X	X

This read-only register contains flags to indicate the status and phase of the SCSI transactions.

INT – Interrupt

The INT bit is set when the device asserts the interrupt output.

IOE – Illegal Operation Error

The IOE bit is set when an illegal operation is attempted.

PE – Parity Error

The PE bit is set if any of the parity checking options are enabled and the device detects a parity error on bytes sent or received on the SCSI Bus.

CTZ – Count To Zero

The CTZ bit is set when the Current Transfer Count Register (CTCREG) has decremented to zero.

RES – Reserved

Reserved bit.

MSG – Message

C/D – Command/Data

I/O – Input/Output

The MSG, C/D and I/O bits indicate the phase of the SCSI bus.

The Interrupt Status Register (INSTREG) will indicate the reason for the interrupt.

SRST – SCSI Reset

The SRST bit will be set if a SCSI Reset is detected and SCSI reset reporting is enabled via the DISR (bit 6) of Control Register One (CNTLREG1).

ICMD – Invalid Command

The ICMD bit will be set if the device detects an illegal command code.

DIS – Disconnected

The DIS bit can be set in the Initiator mode when the device disconnects from the SCSI bus.

SR – Service Request

The SR bit can be set in the Initiator mode when another device on the SCSI bus has a service request.

SO – Successful Operation

The SO bit can be set in the Initiator mode when an operation has been successfully completed.

RESEL – Reselected

The RESEL bit is set at the end of the reselection phase indicating that the device has been reselected as an Initiator.

RES 1:0 – Reserved 1:0

Reserved bit.

SCSI Destination ID Register (SDIDREG)

Address (B)+10H WRITE ONLY

7	6	5	4	3	2	1	0
RES	RES	RES	RES	RES	DID2	DID1	DID0
0	0	0	0	0	X	X	X

RES – Reserved

DID 2:0 – Destination ID 2:0

The DID 2:0 bits are the encoded SCSI ID of the device (0 thru 7) on the SCSI bus which needs to be selected or reselected.

SCSI Timeout Register (STIMREG)

Address (B)+14H WRITE ONLY

7	6	5	4	3	2	1	0
STIM7	STIM6	STIM5	STIM4	STIM3	STIM2	STIM1	STIM0
X	X	X	X	X	X	X	X

STIM 7:0 – SCSI Timer 7:0

This register determines how long the Initiator will wait for a response to a Selection before timing out.

Interrupt Status Register (INSTREG)

Address (B)+14H READ ONLY

7	6	5	4	3	2	1	0
SRST	ICMD	DIS	SR	SO	RESEL	RES	RES
0	0	0	0	0	0	X	X

Internal State Register (ISREG)
Address (B)+18H **READ ONLY**

7	6	5	4	3	2	1	0
RES	RES	RES	RES	SOF	IS2	IS1	IS0
X	X	X	X	0	0	0	0

The Internal State Register (ISREG) tracks the progress of a sequence-type command.

RES – Reserved

SOF – Synchronous Offset Flag

The SOF is reset when the Synchronous Offset Register (SOFREG) has reached its maximum value.

IS 2:0 – Internal State 2:0

The IS 2:0 bits along with the Interrupt Status Register (INSTREG) indicates the status of the successfully completed intermediate operation.

Synchronous Transfer Period Register (STPREG)
Address (B)+18H **WRITE**

7	6	5	4	3	2	1	0
RES	RES	RES	STP4	STP3	STP2	STP1	STP0
X	X	X	0	0	1	0	1

RES – Reserved

STP 4:0 – Synchronous Transfer Period 4:0

These bits specify the synchronous transfer period or the number of clock cycles for each byte transferred in the synchronous mode.

Current FIFO/Internal State Register (CFISREG)
Address (B)+ 1CH **READ ONLY**

7	6	5	4	3	2	1	0
IS2	IS1	IS0	CF4	CF3	CF2	CF1	CF0
0	0	0	0	0	0	0	0

This register has two fields, the Current FIFO field and the Internal State field.

IS 2:0 – Internal State 2:0

The Internal State Register (ISREG) tracks the progress of a sequence-type command.

CF 4:0 – Current FIFO 4:0

The CF 4:0 bits are the binary coded value of the number of bytes in the SCSI FIFO.

Synchronous Offset Register (SOFREG)
Address (B)+ 1CH **WRITE**

7	6	5	4	3	2	1	0
RAD1	RAD0	RAA1	RAA0	SO3	SO2	SO1	SO0
0	0	0	0	0	0	0	0

RAD 1:0 – REQ/ACK Deassertion Control

These bits may be programmed to control the deassertion delay of the REQ and ACK signals during synchronous transfers.

RAA 1:0 – REQ/ACK Assertion Control 1:0

These bits may be programmed to control the assertion delay of the REQ and ACK signals during synchronous transfers.

SO 3:0 – Synchronous Offset 3:0

The SO 3:0 bits are the binary coded value of the number of bytes that can be sent to (or received from) the SCSI bus without an ACK (or REQ) signal.

Control Register One (CNTLREG1)
Address (B)+20H **READ/WRITE**

7	6	5	4	3	2	1	0
ETM	DISR	RES	PERE	RES	SID2	SID1	SID0
0	0	0	0	0	X	X	X

The Control Register 1 (CNTLREG1) sets up the device with various operating parameters.

ETM – Extended Timing Mode

Enabling this feature will increase the minimum setup time for data being transmitted on the SCSI bus.

DISR – Disable Interrupt on SCSI Reset

The DISR bit masks the reporting of the SCSI reset.

RES – Reserved

This bit is reserved and **must always be set to '0'**.

PERE – Parity Error Reporting Enable

The PERE bit enables the checking and reporting of parity errors on incoming SCSI bytes during the information transfer phase.

RES – Reserved

This bit is reserved and **must always be set to '0'**.

SID 2:0 – SCSI Device ID 2:0

The SID 2:0 bits specify the binary coded value of the device ID on the SCSI bus.

Clock Factor Register (CLKFREG)

Address (B)+24H WRITE

7	6	5	4	3	2	1	0
RES	RES	RES	RES	RES	CLKF2	CLKF1	CLKF0
X	X	X	X	X	0	1	0

The Clock Factor Register (CLKFREG) must be set to indicate the input frequency range of the device.

RES – Reserved

This bit is reserved and must always be set to '0'.

CLKF 2:0 – Clock Factor 2:0

The CLKF 2:0 bits specify the binary coded value of the clock factor.

Reserved

Address (B)+28H WRITE

7	6	5	4	3	2	1	0
RES	RES	RES	RES	RES	RES	RES	RES
X	X	X	X	X	X	X	X

RES – Reserved

This register is reserved. Its value must always be set to '00h'.

Control Register Two (CNTLREG2)

Address (B)+2CH READ/WRITE

7	6	5	4	3	2	1	0
RES	ENF	RES5	RES4	RES	RES	RES	RES
0	0	0	0	0	0	0	0

The Control Register Two (CNTLREG2) sets up the device with various operating parameters.

RES – Reserved

This bit is reserved and must always be set to '0'.

ENF – Enable Features

This bit activates the following product enhancements:

- The Current Transfer Count Register High ((B)+38H) will be enabled, extending the transfer counter from 16 to 24 bits to allow for larger transfers.
- Following a chip or power on reset, up until the point where the Current Transfer Count Register High ((B)+38H) is loaded with a value, it is possible to read the part-unique ID '12h' from this register.

- The SCSI phase will be latched at the completion of each command by bits 2:0 in the Status Register (STATREG). When this bit is '0,' the Status Register (STATREG) will reflect real-time SCSI phases.

RES5 – Reserved

This bit is internally tied low and is a read only bit.

RES4 – Reserved

This bit is internally tied low and is a read only bit.

RES 3:0 – Reserved 3:0

This bit is reserved and must always be set to '0'.

Control Register Three (CNTLREG3)

Address (B)+30H READ/WRITE

7	6	5	4	3	2	1	0
ADID CHK	RES	RES	FAST-SCSI	FASTCLK	RES	RES	RES
0	0	0	0	0	0	0	0

ADID CHK – Additional ID Check

Enables additional check on ID message during bus-initiated Select or Reselect with ATN.

RES – Reserved 6:5

This bit is reserved and must always be set to '0'.

FASTSCSI – Fast SCSI

FASTCLK – Fast Clock

These bits configure the SCSI Core's state machine to support both Fast SCSI timings and SCSI-1 timings.

RES – Reserved

This bit is reserved and must always be set to '0'.

RES – Reserved – READ-ONLY (Tied Low)

This reserved bit is internally tied low and is read-only.

RES – Reserved

This bit is reserved and must always be set to '0'.

Control Register Four (CNTLREG4)

Address (B)+34H READ/WRITE

7	6	5	4	3	2	1	0
GE1	GE0	PWD	RES	RES (R) RAE (W)	RADE	RES	RES
0	0	0	X	0	0	X	X

This register is used to control several AMD proprietary features implemented in the SCSI Core. At power up, this register will show a '0' value on all bits except bit 4.

GE1:0 – GLITCH EATER 1:0

The GLITCH EATER circuitry has been implemented on \overline{REQ} , \overline{ACK} , and DATA lines and are controlled by bits 7 and 6. The valid signal window may be adjusted by setting the bits in the combinations listed below.

GE1	GE0	Valid Signal Window
0	0	12 ns
1	0	25 ns
0	1	35 ns
1	1	0 ns

PWD – Power-Down Feature

Setting this bit to '1' turns off the input buffers on all the SCSI bus signal lines.

RES – Reserved

This bit is reserved for internal use.

RES – Reserved (Read Only)

This bit is reserved for internal use.

RAE – (Write Only) – Active Negation Control
RADE – Active Negation Control

RAE and RADE Bits 2 and 3 control the Active Negation Drivers which may be enabled on \overline{REQ} , \overline{ACK} , or DATA lines.

The programming options for this feature are as follows:

RAE	RADE	Function Selected
0	0	Active Negation Disabled
1	0	Active Negation on \overline{REQ} and \overline{ACK} only
X	1	Active Negation on \overline{REQ} , \overline{ACK} and DATA

RES – Reserved

This bit is reserved for internal use.

RES – Reserved

This bit is reserved and **must always be set to '0'**.

Reserved
Address (B)+3CH
WRITE

7	6	5	4	3	2	1	0
RES	RES	RES	RES	RES	RES	RES	RES
0	0	0	0	0	0	0	0

RES – Reserved

This register is reserved. Its value must always be set to '00h'.

Part-Unique ID Register ((B)+38H) Read Only

This register extends the transfer counter from 16 to 24 bits and is only enabled when the ENF bit is set (bit 6, Control Register Two).

This register is also used to store the part-unique ID code for the SCSI. This information may be accessed when all of the following are true:

1. A power up or chip reset has taken place
2. A value has not been loaded into this register

SCSI Commands

The following is a summary of the SCSI commands supported by the SCSI Core. For more details on implementation, refer to the Am53C974 Technical Manual.

Table 5. Summary of Commands

Command	Code (Hex.)	
	Non-DMA Mode	DMA Mode
Initiator Commands		
Information Transfer	10	90
Initiator Command Complete Steps	11	91
Message Accepted	12	–
Transfer Pad Bytes	–	98
Set ATN*	1A	–
Reset ATN*	1B	–
Idle State Commands		
Select without ATN Steps	41	C1
Select with ATN Steps	42	C2
Select with ATN and Stop Steps	43	C3
Enable Selection/Reselection*	44	C4
Disable Selection/Reselection	45	–
Select with ATN3 Steps	46	C6
General Commands		
No Operation*	00	80
Clear FIFO*	01	–
Reset Device*	02	–
Reset SCSI Bus**	03	–

Notes:

* These commands do not generate interrupt.

** An interrupt is generated when SCSI bus reset interrupt reporting is not disabled (see Control Register1/DISR bit6).

ABSOLUTE MAXIMUM RATINGS

Storage Temperature -65°C to +150°C
Ambient Temperature
Under Bias -55°C to +125°C
 V_{DD} -0.5 V to +7.0 V
DC Voltage Applied
to Any Pin -0.5 to ($V_{DD} + 0.5$) V
Input Static Discharge Protection 2K V pin-to-pin
(Human body model: 100 pF at 1.5K Ω)

Stresses above those listed under Absolute Maximum Ratings may cause permanent device failure. Functionality at or above these limits is not implied. Exposure to absolute maximum ratings for extended periods may affect device reliability.

OPERATING RANGES

Commercial (C) Devices

Ambient Temperature (T_A) 0°C to +70°C
Supply Voltage (V_{DD}) 4.75 V to 5.25 V

Operating ranges define those limits between which the functionality of the device is guaranteed.

DC CHARACTERISTICS over COMMERCIAL operating range unless otherwise specified

Parameter Symbol	Parameter Description	Pin Names	Test Conditions	Min	Max	Unit
I _{DD5}	Static Supply Current		V _{DD MAX}		10	mA
I _{DDSM}	Supply Current (Sleep Mode)		V _{DD MAX}		TBD	
I _{DD}	Dynamic Supply Current		V _{DD MAX}		150	mA
I _{LU}	Latch Up Current (Note 1)	All I/O	V _{LU} ≤ 10 V	-100	+100	mA
SCSI and Power Management Pins						
V _{IH}	Input High Voltage	All SCSI Inputs, PWDN		2.0	V _{DD} + 0.5	V
V _{IL}	Input Low Voltage	All SCSI Inputs, PWDN		V _{SS} - 0.5	0.8	V
V _{IHST}	Input Hysteresis (Note 1)	All SCSI Inputs	4.75 V < V _{DD} < 5.25 V	300		mV
V _{OH}	Output High Voltage (Note 2)		I _{OH} = -2 mA (Note 3)	2.4	V _{DD}	V
V _{SOL1}	SCSI Output Low Voltage	\overline{SD} [7:0], \overline{SD} P	I _{OL} = 4 mA	V _{SS}	0.4	V
V _{SOL2}	SCSI Output Low Voltage	\overline{ATN} , \overline{BSY} , \overline{SEL} , SCSI RST, ACK	I _{OL} = 48 mA	V _{SS}	0.5	V
I _{IL}	Input Low Leakage	All SCSI Inputs, PWDN	0.0 V < V _{IN} < 2.7 V	-10	+10	μA
I _{IH}	Input High Leakage	All SCSI Inputs, PWDN	2.7 V < V _{IN} < V _{DD}	-10	+10	μA
I _{oz}	High Impedance Leakage	All I/O Pins	0.4 V < V _{OUT} < V _{DD}	-10	+10	μA
PCI Pins						
V _{IH}	Input High Voltage			2.0	V _{DD} + 0.5	V
V _{IL}	Input Low Voltage			V _{SS} - 0.5	0.8	V
V _{OH}	Output High Voltage (Note 2)		I _{OH} = -2 mA (Note 3)	2.4	V _{DD}	V
V _{OL1}	Output Low Voltage	AD [31:00], C/BE [3:0], PAR, PCI REQ	I _{OL} = 3 mA	V _{SS}	0.45	V
V _{OL2}	Output Low Voltage	\overline{FRAME} , \overline{TRDY} , \overline{IRDY} , \overline{STOP} , \overline{DEVSEL} , \overline{LOCK} , \overline{PERR} , \overline{SERR} , \overline{INTA}	I _{OL} = 6 mA	V _{SS}	0.45	V
I _{IL}	Input Low Leakage		0 V ≤ V _{IN} ≤ V _{IL}	-10	+10	μA
I _{IH}	Input High Leakage		V _{IH} ≤ V _{IN} ≤ V _{DD}	-10	+10	μA
I _{oz}	High Impedance Leakage	All I/O Pins	0.4 V < V _{OUT} < V _{DD}	-10	+10	μA

Notes:

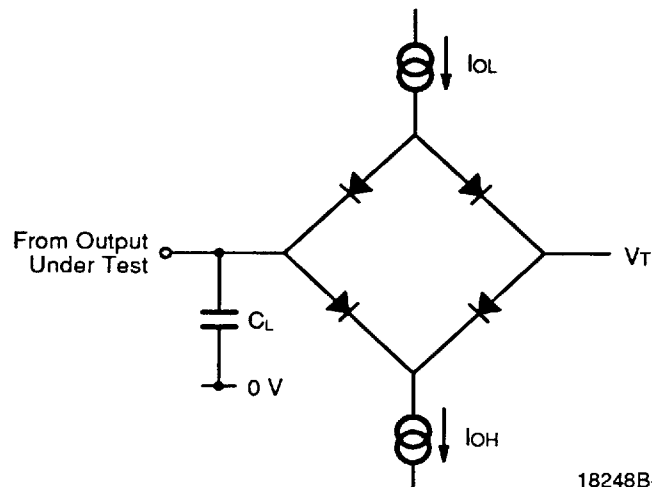
1. These parameters are not 100% tested, but are evaluated at initial characterization and at any time the design is modified where these parameters may be affected.
2. V_{OH} does not apply to open-drain output pins.
3. Outputs are CMOS and will be driven to rail if the load is not resistive.

DC CHARACTERISTICS (continued)

Parameter Symbol	Parameter Description	Pin Names	Test Conditions	Min	Max	Unit
Pin Capacitance ($V_{CC} = 5.0\text{ V}$, $T_A = 25^\circ\text{C}$, $f = 1.0\text{ MHz}$)						
C_{IN}	Input Pins	All SCSI Inputs All PCI Inputs except IDSEL, PWDN	$V_{IN} = 0\text{ V}$		10	pF
		IDSEL	$V_{IN} = 0\text{ V}$		8	pF
C_{VO}	I/O or Output Pins	All SCSI, PCI Output and I/O Pins, BUSY	$V_{VO} = 0\text{ V}$		12	pF
C_{CLK}	Clock Pins	CLK (PCI) SCSI CLK1 SCSI CLK2	$V_{IN} = 0\text{ V}$		12	pF

Note:

These parameters are not 100% tested, but are evaluated at initial characterization and at any time the design is modified where capacitance may be affected.

SWITCHING TEST CIRCUIT


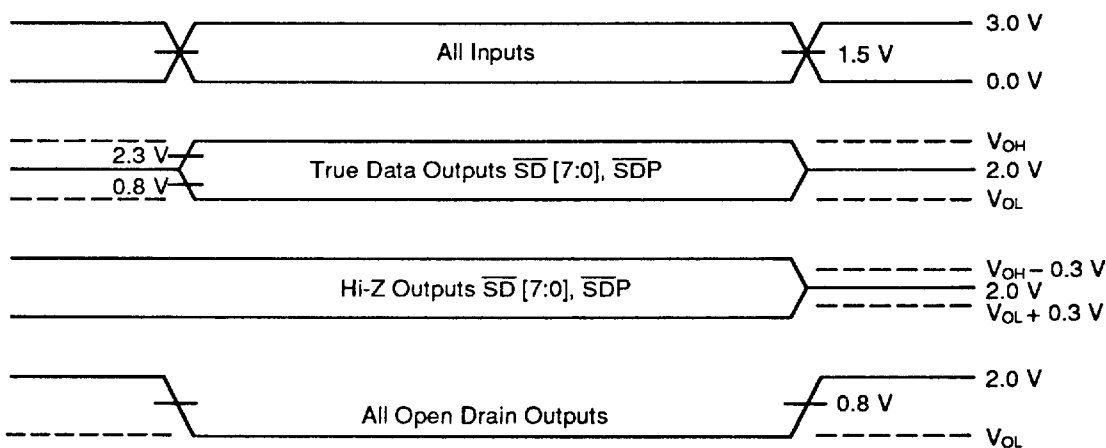
18248B-7

KEY TO SWITCHING WAVEFORMS

WAVEFORM	INPUTS	OUTPUTS
	Must be Steady	Will be Steady
	May Change from H to L	Will be Changing from H to L
	May Change from L to H	Will be Changing from L to H
	Don't Care, Any Change Permitted	Changing, State Unknown
	Does Not Apply	Center Line is High-Impedance "Off" State

KS000010

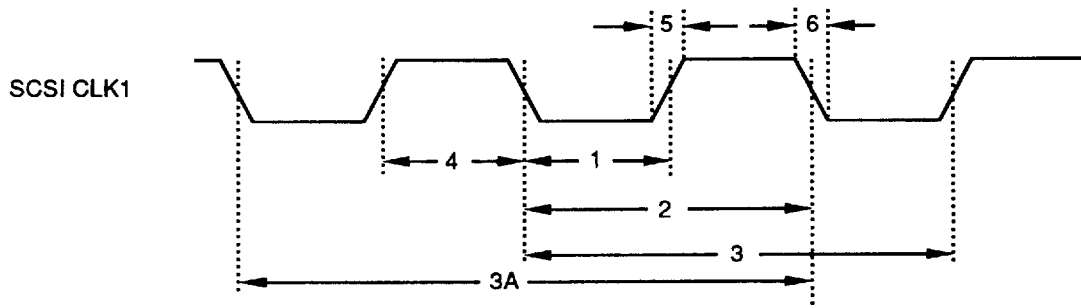
SWITCHING TEST WAVEFORMS



18248B-8

AC SWITCHING CHARACTERISTICS over COMMERCIAL operating range unless otherwise specified

SCSI Interface



18248B-9

Clock Input

FastClk Disabled (Control Register Three (0CH) bit 3=0)

No.	Parameter Symbol	Parameter Description	Test Conditions	Min	Max	Unit
1	t_{PWL}^1	Clock Pulse Width Low		14.58	$0.65 \cdot t_{CP}$	ns
2	t_{CP}	Clock Period (1 + Clock Frequency)		40	100	ns
3	t_L	Synchronization Latency		54.58	$t_{PWL} + t_{CP}$	ns
4	t_{PWH}^1	Clock Pulse Width High		14.58	$0.65 \cdot t_{CP}$	ns
5	t_{RISE}^*	Clock Rise Time	over 2 V p-p	1	4	V/ns
6	t_{FALL}^*	Clock Fall Time	over 2 V p-p	1	4	V/ns

Notes:

1. For Synchronous data transmissions, the following conditions must be true:

$2t_{CP} + t_{PWL} \geq 97.92 \text{ ns}$
 $2t_{CP} + t_{PWH} \geq 97.92 \text{ ns}$

Clock Frequency Range for Fast Clk disabled.

- = 10 MHz to 25 MHz for Asynchronous Transmission
- = 12 MHz to 25 MHz for Synchronous Transmission

* These parameters are not 100% tested, but are evaluated at initial characterization and at any time the design is modified where these parameters may be affected.

FastClk Enabled (Control Register Three (0CH) bit 3=1)

No.	Parameter Symbol	Parameter Description	Test Conditions	Min	Max	Unit
1	t_{PWL}	Clock Pulse Width Low		$0.4 \cdot t_{CP}$	$0.6 \cdot t_{CP}$	ns
2	t_{CP}	Clock Period (1 + Clock Frequency)		25	50	ns
3A	t_L	Synchronization Latency		54.58	$2 \cdot t_{CP}$	ns
4	t_{PWH}	Clock Pulse Width High		$0.4 \cdot t_{CP}$	$0.6 \cdot t_{CP}$	ns
5	t_{RISE}^*	Clock Rise Time	over 2 V p-p	1	4	V/ns
6	t_{FALL}^*	Clock Fall Time	over 2 V p-p	1	4	V/ns

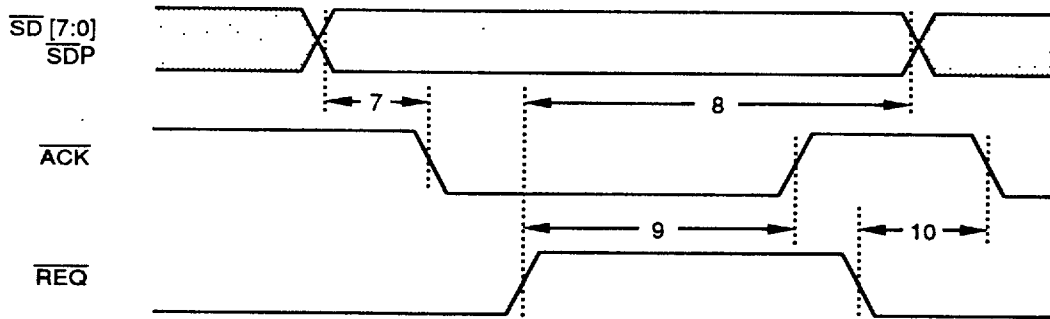
Notes:

Clock Frequency Range for Fast Clk enabled.

- = 20 MHz to 40 MHz for Asynchronous Transmission
- = 20 MHz to 40 MHz for Synchronous Transmission

* These parameters are not 100% tested, but are evaluated at initial characterization and at any time the design is modified where these parameters may be affected.

AC SWITCHING CHARACTERISTICS (continued)

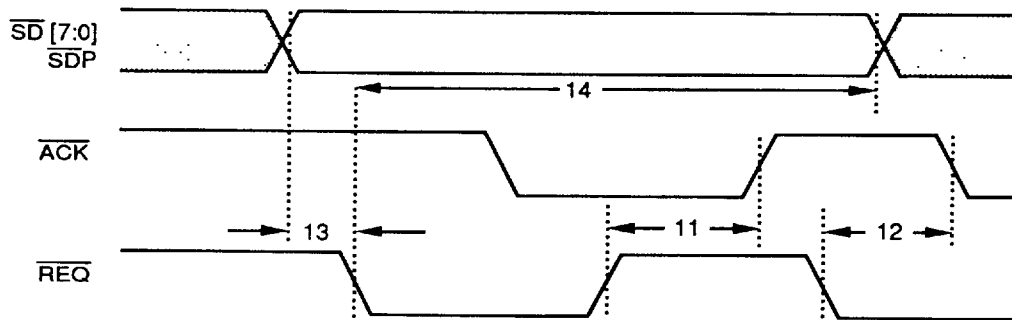


18248B-10

Asynchronous Initiator Send

Single Ended:

No.	Parameter Symbol	Parameter Description	Test Conditions	Min	Max	Unit
7	t_s	Data to \overline{ACK} \downarrow Set Up Time		60		ns
8	t_{PD}	\overline{REQ} \uparrow to Data Delay		5		ns
9	t_{PD}	\overline{REQ} \uparrow to \overline{ACK} \downarrow Delay			50	ns
10	t_{PD}	\overline{REQ} \downarrow to \overline{ACK} \downarrow Delay			50	ns

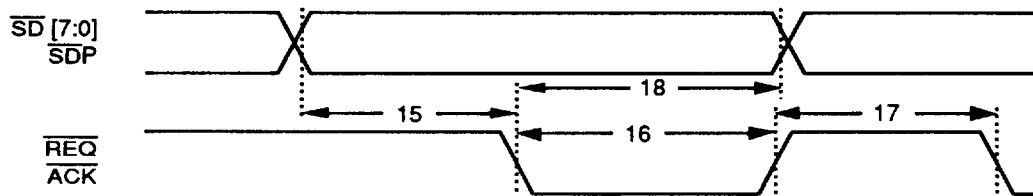


18248B-11

Asynchronous Initiator Receive

Single Ended:

No.	Parameter Symbol	Parameter Description	Test Conditions	Min	Max	Unit
11	t_{PD}	\overline{REQ} \uparrow to \overline{ACK} \downarrow Delay			50	ns
12	t_{PD}	\overline{REQ} \downarrow to \overline{ACK} \downarrow Delay			50	ns
13	t_s	Data to \overline{REQ} \downarrow Set Up Time		10		ns
14	t_H	\overline{REQ} \downarrow to Data Hold Time		18		ns

AC SWITCHING CHARACTERISTICS (continued)


18248B-12

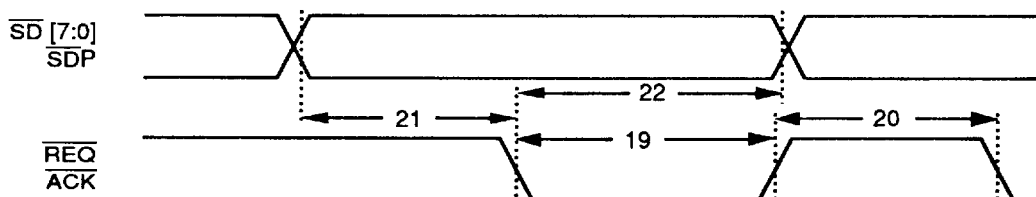
Synchronous Initiator Transmit
Normal SCSI: (Single Ended)

No.	Parameter Symbol	Parameter Description	Test Conditions	Min*	Max	Unit
15	t_s	Data to \overline{REQ} or \overline{ACK} \downarrow Set Up Time		55		ns
16	t_{PWL}	\overline{REQ} or \overline{ACK} Pulse Width Low		90		ns
17	t_{PWH}	\overline{REQ} or \overline{ACK} Pulse Width High		90		ns
18	t_H	\overline{ACK} or \overline{REQ} \downarrow to Data Hold Time		100		ns

Fast SCSI: (Single Ended)

No.	Parameter Symbol	Parameter Description	Test Conditions	Min*	Max	Unit
15	t_s	Data to \overline{REQ} or \overline{ACK} \downarrow Set Up Time		25		ns
16	t_{PWL}	\overline{REQ} or \overline{ACK} Pulse Width Low		30		ns
17	t_{PWH}	\overline{REQ} or \overline{ACK} Pulse Width High		30		ns
18	t_H	\overline{ACK} or \overline{REQ} \downarrow to Data Hold Time		35		ns

* The minimum values have a wide range since they depend on the Synchronization latency. The synchronization latency, in turn, depends on the operating frequency of the device.



18248B-13

Synchronous Initiator Receive

No.	Parameter Symbol	Parameter Description	Test Conditions	Min	Max	Unit
19	t_{PWL}	\overline{REQ} Pulse Width Low		27		ns
19	t_{PWL}	\overline{ACK} Pulse Width Low		20		ns
20	t_{PWH}	\overline{REQ} Pulse Width High		20		ns
20	t_{PWH}	\overline{ACK} Pulse Width High		20		ns
21	t_s	Data to \overline{REQ} or \overline{ACK} \downarrow Set Up Time		10		ns
22	t_H	\overline{REQ} or \overline{ACK} \downarrow to Data Hold Time		15		ns

AC SWITCHING CHARACTERISTICS (continued)**SCSI Bus Lines**

Parameter Symbol	Parameter Description	Test Conditions	Min	Max	Unit
t_{RISE}	Rise Time, 10% to 90%	SCSI Termination + 20 pF	8	20	ns
t_{FALL}	Fall Time, 10% to 90%	SCSI Termination + 20 pF	5	12	ns
dV_H/dt	Slew Rate, Low to High	SCSI Termination + 20 pF	0.15	0.50	V/ns
dV_L/dt	Slew Rate, High to Low	SCSI Termination + 20 pF	0.25	0.80	V/ns

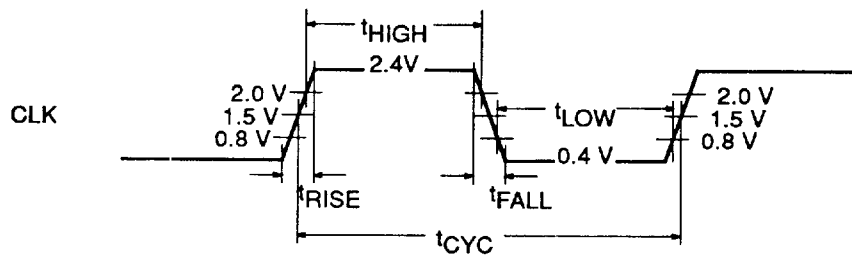
Note:

These parameters are not 100% tested, but are evaluated at initial characterization and at any time the design is modified where these parameters may be affected.

AC SWITCHING CHARACTERISTICS
PCI Bus Interface Unit

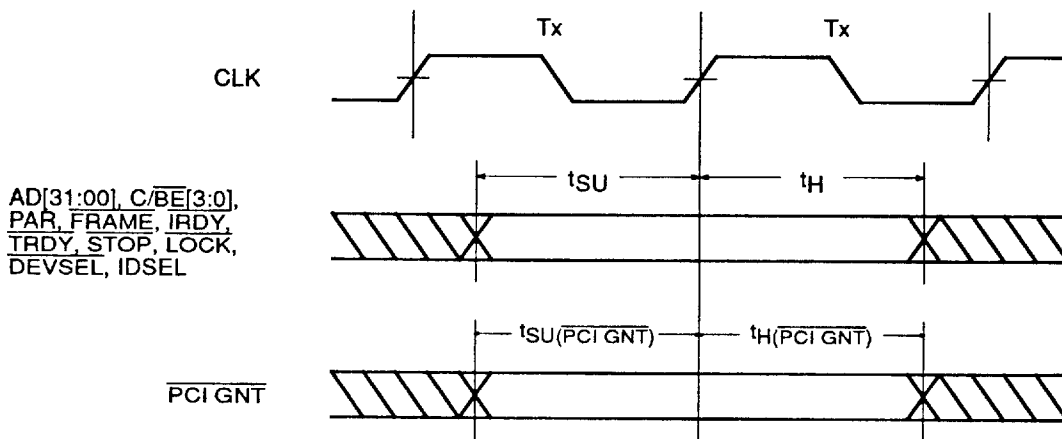
Parameter Symbol	Parameter Description	Test Conditions	Min	Max	Unit
Clock Timing					
	CLK Frequency		0	33	MHz
t _{CYC}	CLK Period	At 1.5 V	30	∞	ns
t _{HIGH}	CLK High Time	At 2.0 V	12		ns
t _{LOW}	CLK Low Time	At 0.8 V	12		ns
t _{FALL}	CLK Fall Time	over 2 V p-p	1	4	V/ns
t _{RISE}	CLK Rise Time	over 2 V p-p	1	4	V/ns
Output and Float Delay Timing					
t _{VAL}	AD[31:00], C/ $\overline{\text{BE}}$ [3:0], $\overline{\text{PAR}}$, $\overline{\text{FRAME}}$, $\overline{\text{IRDY}}$, $\overline{\text{TRDY}}$, $\overline{\text{STOP}}$, $\overline{\text{LOCK}}$, $\overline{\text{DEVSEL}}$, $\overline{\text{PE}^2\text{R}}$, $\overline{\text{SERR}}$ Valid Delay		2	11	ns
t _{VAL (PCI REQ)}	PCI REQ Valid Delay		1	12	ns
t _{ON}	AD[31:00], C/ $\overline{\text{BE}}$ [3:0], $\overline{\text{PAR}}$, $\overline{\text{FRAME}}$, $\overline{\text{IRDY}}$, $\overline{\text{TRDY}}$, $\overline{\text{STOP}}$, $\overline{\text{LOCK}}$, $\overline{\text{DEVSEL}}$ Active Delay		2	11	ns
t _{OFF}	AD[31:00], C/ $\overline{\text{BE}}$ [3:0], $\overline{\text{PAR}}$, $\overline{\text{FRAME}}$, $\overline{\text{IRDY}}$, $\overline{\text{TRDY}}$, $\overline{\text{STOP}}$, $\overline{\text{LOCK}}$, $\overline{\text{DEVSEL}}$ Float Delay			28	ns
Setup and Hold Timing					
t _{SU}	AD[31:00], C/ $\overline{\text{BE}}$ [3:0], $\overline{\text{PAR}}$, $\overline{\text{FRAME}}$, $\overline{\text{IRDY}}$, $\overline{\text{TRDY}}$, $\overline{\text{STOP}}$, $\overline{\text{LOCK}}$, $\overline{\text{DEVSEL}}$, $\overline{\text{IDSEL}}$ Setup Time		7		ns
t _H	AD[31:00], C/ $\overline{\text{BE}}$ [3:0], $\overline{\text{PAR}}$, $\overline{\text{FRAME}}$, $\overline{\text{IRDY}}$, $\overline{\text{TRDY}}$, $\overline{\text{STOP}}$, $\overline{\text{LOCK}}$, $\overline{\text{DEVSEL}}$, $\overline{\text{IDSEL}}$ Hold Time		0		ns
t _{SU (PCI GNT)}	PCI GNT Setup Time		10		ns
t _{H (PCI GNT)}	PCI GNT Hold Time		0		ns

AC SWITCHING WAVEFORMS
PCI Bus Interface Unit (continued)



18248B-14

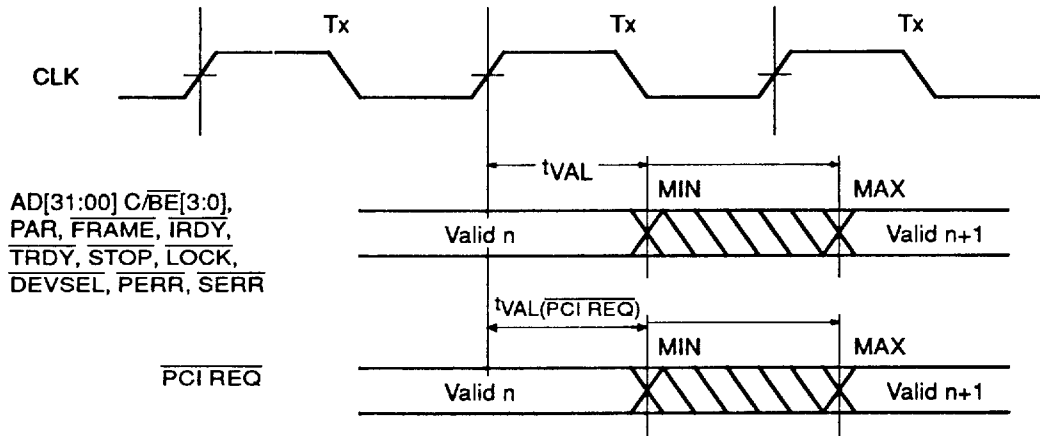
CLK Waveform



18248B-15

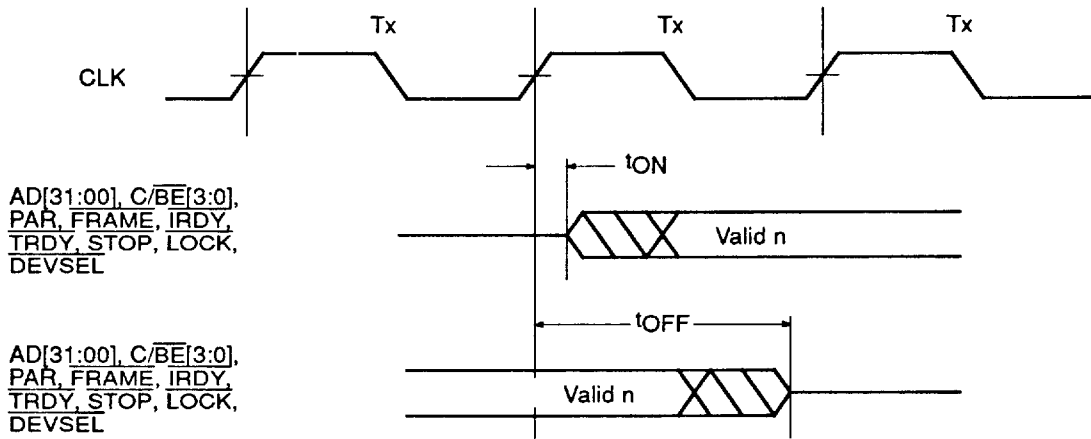
Input Setup and Hold Timing

AC SWITCHING WAVEFORMS
PCI Bus Interface Unit (continued)



18248B-16

Output Valid Delay Timing



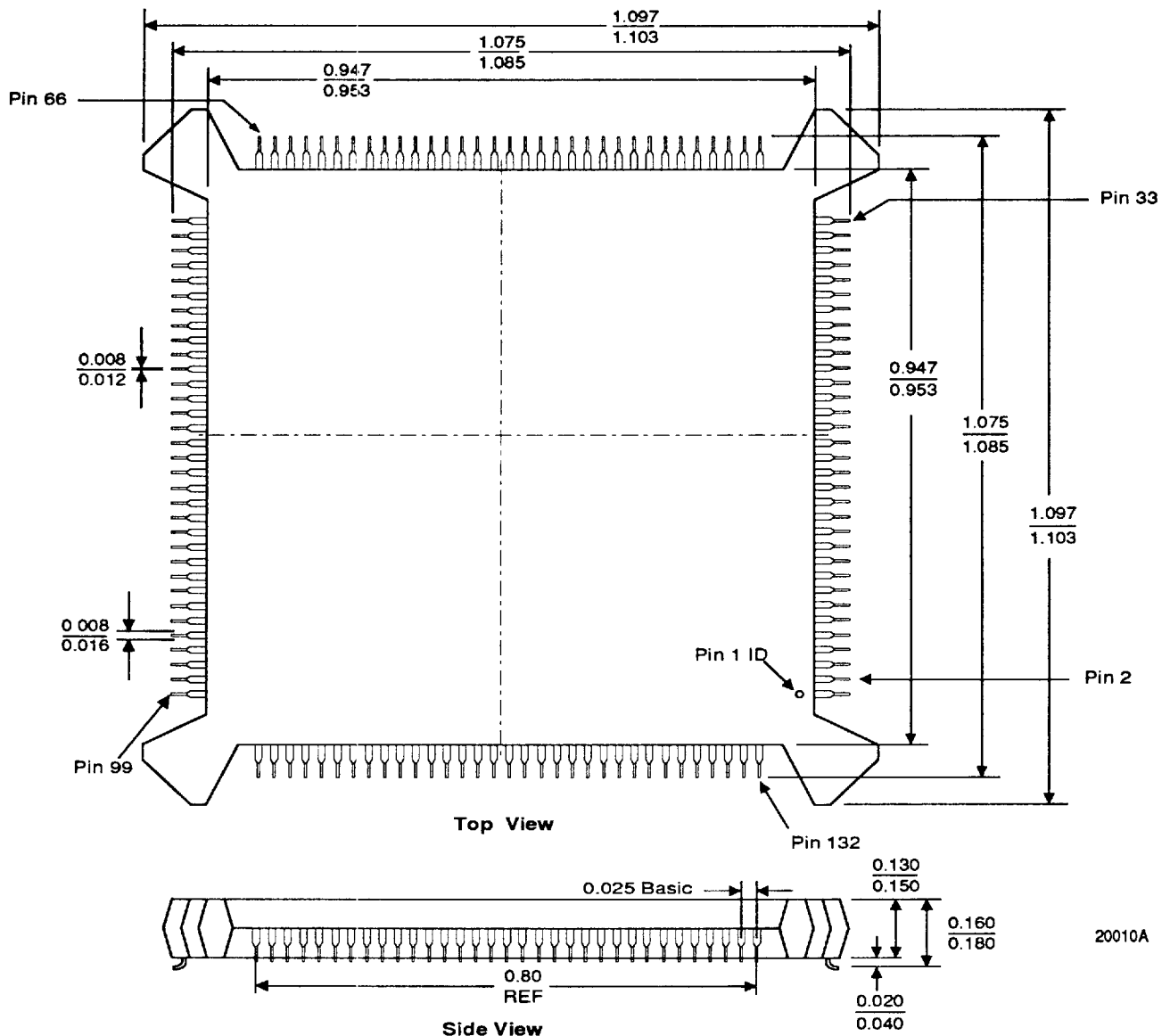
18248B-17

Output Tri-State Delay Timing

PHYSICAL DIMENSIONS*

PQB132

132-Pin Plastic Quad Flat Pack; Trimmed and Formed (measured in inches)



*For reference only. BSC is an ANSI standard for Basic Space Centering.



For information on additional SCSI software products contact:

Sequoia Advanced Technologies, Inc.

(415) 459-7978

(415) 459-7988 FAX

71322, 1020 CompuServe ID

Trademarks

Copyright © 1993 Advanced Micro Devices, Inc. All rights reserved.

AMD, the AMD logo and Am386 are registered trademarks of Advanced Micro Devices, Inc.

GLITCH EATER, PCnet, PCscsi, and Am486 are trademarks of Advanced Micro Devices, Inc.

Product names used in this publication are for identification purposes only and may be trademarks of their respective companies.