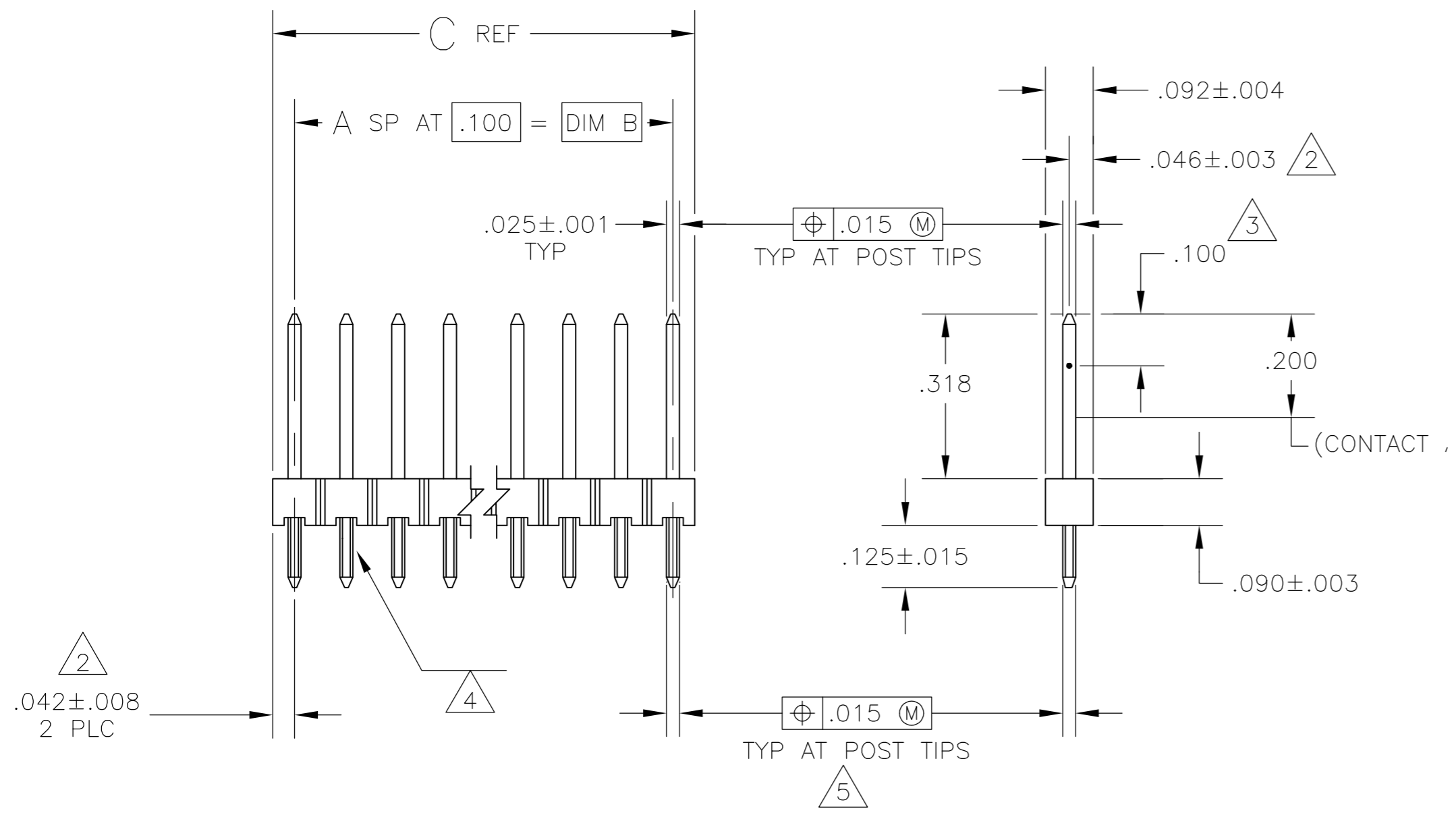
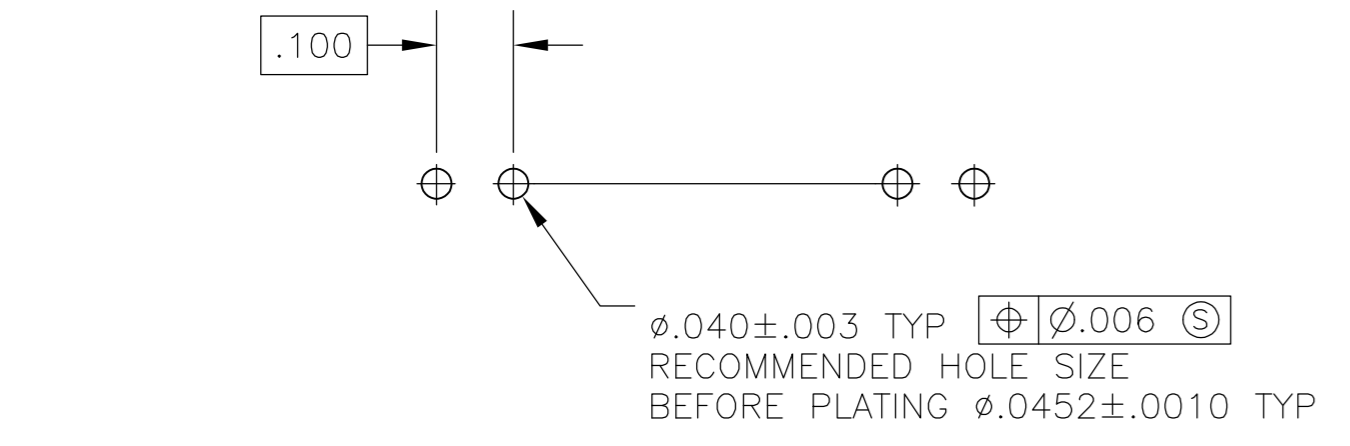


THIS DRAWING IS UNPUBLISHED. RELEASED FOR PUBLICATION  
 © COPYRIGHT - By - ALL RIGHTS RESERVED.

LOC		DIST		REVISIONS			
P	LTR	DESCRIPTION		DATE	DWN	APVD	
J2		REVISED PER ECO-11-005027		11MAR11	RK	HMR	



- TRUE POSITION TOLERANCE OF THE POST TIPS APPLIES WHEN THE HEADERS ARE HELD FLAT AGAINST THE PRINTED CIRCUIT BOARD.
- THE NOTED DIMENSION APPLIES AT THE INTERSECTION OF THE POST AND THE HOUSING
- POINT OF MEASUREMENT FOR PLATING THICKNESS.
- RETENTION FEATURES ON SOLDER TAILS, LOCATED AT MANUFACTURERS OPTION.
- $\varnothing .020 \text{ (M)}$  FOR KINKED TAILS
- OBSOLETE PARTS: OBSOLETE CIS STREAMLINING PER D.RENAUD/D.SINISI



RECOMMENDED HOLE LAYOUT

	C	B	A	NO OF POSN	ASSEMBLY PART NUMBER
OBSOLETE	3.984	3.900	39	40	2-104426-7
	3.484	3.400	34	35	2-104426-6
	2.984	2.900	29	30	2-104426-5
	2.584	2.500	25	26	2-104426-4
	2.484	2.400	24	25	2-104426-3
	2.384	2.300	23	24	2-104426-2
	2.284	2.200	22	23	2-104426-1
	2.184	2.100	21	22	2-104426-0
	2.084	2.000	20	21	1-104426-9
	1.984	1.900	19	20	1-104426-8
OBSOLETE	1.884	1.800	18	19	1-104426-7
	1.784	1.700	17	18	1-104426-6
	1.684	1.600	16	17	1-104426-5
	1.584	1.500	15	16	1-104426-4
	1.484	1.400	14	15	1-104426-3
	1.384	1.300	13	14	1-104426-2
	1.284	1.200	12	13	1-104426-1
	1.184	1.100	11	12	1-104426-0
	1.084	1.000	10	11	1-104426-9
	.984	.900	9	10	104426-8
OBSOLETE	.884	.800	8	9	104426-7
	.784	.700	7	8	104426-6
	.684	.600	6	7	104426-5
	.584	.500	5	6	104426-4
	.484	.400	4	5	104426-3
	.384	.300	3	4	104426-2
	.284	.200	2	3	104426-1

THIS DRAWING IS A CONTROLLED DOCUMENT.		DWN	H. MOLL	28JUN88	 TE Connectivity																	
DIMENSIONS: INCHES		CHK	R. FEIDT	28JUN88																		
TOLERANCES UNLESS OTHERWISE SPECIFIED:		APVD	R. FEIDT	28JUN88																		
<table border="1"> <tr><td>0 PLC</td><td>±</td><td>-</td></tr> <tr><td>1 PLC</td><td>±</td><td>-</td></tr> <tr><td>2 PLC</td><td>±</td><td>-</td></tr> <tr><td>3 PLC</td><td>±</td><td>.005</td></tr> <tr><td>4 PLC</td><td>±</td><td>-</td></tr> <tr><td>ANGLES</td><td>±</td><td>-</td></tr> </table>		0 PLC	±	-		1 PLC	±	-	2 PLC	±	-	3 PLC	±	.005	4 PLC	±	-	ANGLES	±	-	PRODUCT SPEC	NAME
0 PLC	±	-																				
1 PLC	±	-																				
2 PLC	±	-																				
3 PLC	±	.005																				
4 PLC	±	-																				
ANGLES	±	-																				
MATERIAL: HOUSING: FLAME RETARDANT THERMOPLASTIC COLOR-BLACK POSTS: PHOSPHOR BRONZE		FINISH: POSTS: .00030 GOLD IN CONTACT AREA .000100-.000200 MATTE TIN-LEAD ON SOLDER TAIL, ALL OVER .000050 NICKEL		WEIGHT	-																	
APPLICATIO SPEC		SCALE		4:1	SHEET																	
CUSTOMER DRAWING		CAGE CODE		00779	DRAWING NO																	
		DRAWING NO		C=104426	RESTRICTED TO																	
		SCALE		4:1	SHEET																	
		SHEET		1 of 1	REV																	
		REV		J2																		