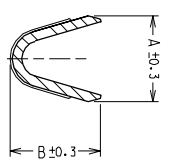
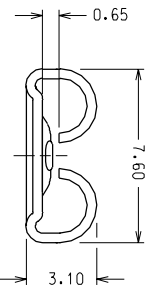
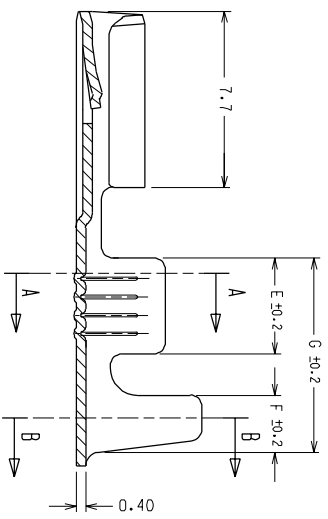


CODICE P/N	FINITURA PLATING	MATERIALE MATERIAL	SEZ. RAME WIRE RANGE	Ø ISOLANTE INS. RANGE	DIMENSIONI / DIMENSION							CONFEZIONAMENTO PACKING QUANTITY
					A	B	C	D	E	F	G	
94513 - 0100	greggio/plain	ottone brass	0.5 - 1.0	2.0 - 3.3	3.0	3.0	4.5	4.5	4.2	2.4	8.3	21.000 pezzi/pcs.
94513 - 0101	stagnato/tfn		1.0 - 2.5	2.7 - 4.3	3.8	4.0	5.5	5.5	4.2	2.5	8.5	18.000 pezzi/pcs.
94513 - 0200	greggio/plain	alpacca german silver	0.5 - 1.0	2.0 - 3.3	3.0	3.0	4.5	4.5	4.2	2.4	8.3	21.000 pezzi/pcs.
94513 - 0201	stagnato/tfn		1.0 - 2.5	2.7 - 4.3	3.8	4.0	5.5	5.5	4.2	2.5	8.5	18.000 pezzi/pcs.
94513 - 0111	nichelato nickel	acciaio steel	0.5 - 1.0	2.0 - 3.3	3.0	3.0	4.5	4.5	4.2	2.4	8.3	21.000 pezzi/pcs.
94513 - 0211			1.0 - 2.5	2.7 - 4.3	3.8	4.0	5.5	5.5	4.2	2.5	8.5	18.000 pezzi/pcs.

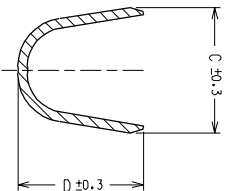
-SPECIFICA DI RIFERIMENTO : PS 94513 IMPIEGATO CON HOUSING 94504-0100
 -REFERENCE SPECIFICATION : PS 94513 TO BE USED WITH HOUSING P/N 94504-0100
 -CONFEZIONE STANDARD : 3 BOBINE x SCATOLA (ved. tab.)
 -STANDARD PACKING QUANTITY : 3 REELS x BOX (see chart)

Std.Descr.: LIF FEM TERM [material] [plating] [wire range]
 e.g.: LIF FEM TERM GERMAN SILVER UNPL 1.0-2.5

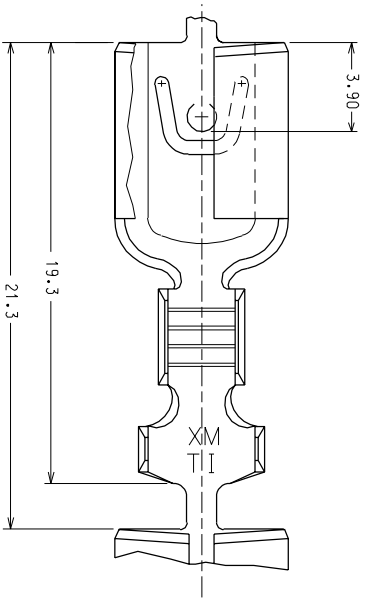
ENTER DESCRIPTION EC NO: Z2005-0082 DRAWN:FGOTTARD 2004/12/02 CHKD:RSANDANO 2004/12/02 APPR:GZUIN 2004/12/09	QUALITY SYMBOLS ▽=0 ▽C=0	GENERAL TOLERANCES (UNLESS SPECIFIED)		DIMENSION STYLE MM ONLY		SCALE 5:1	DESIGN UNITS METRIC	FIRST ANGLE PROJECTION		
			mm	INCH	DRAWN BY LSANTESS	DATE 1991/11/18	TITLE QIK KONNECT RECEPTACLE FOR 6.3 X 0.8 TABS -LIF-			
		4 PLACES ± ---	± ---	± ---	CHECKED BY	DATE				
		3 PLACES ± ---	± ---	± ---	APPROVED BY MPREVIAT	DATE 1991/11/18	MOLEX INCORPORATED			
		2 PLACES ± 0.1	± ---	± ---	MATERIAL NO.	DOCUMENT NO. SD-94513-001	SHEET NO. 1 OF 1			
		1 PLACE ± 0.2	± ---	± ---	SEE CHART					
		ANGULAR ± 3 °		DRAFT WHERE APPLICABLE MUST REMAIN WITHIN DIMENSIONS		THIS DRAWING CONTAINS INFORMATION THAT IS PROPRIETARY TO MOLEX INCORPORATED AND SHOULD NOT BE USED WITHOUT WRITTEN PERMISSION				



SECTION A - A

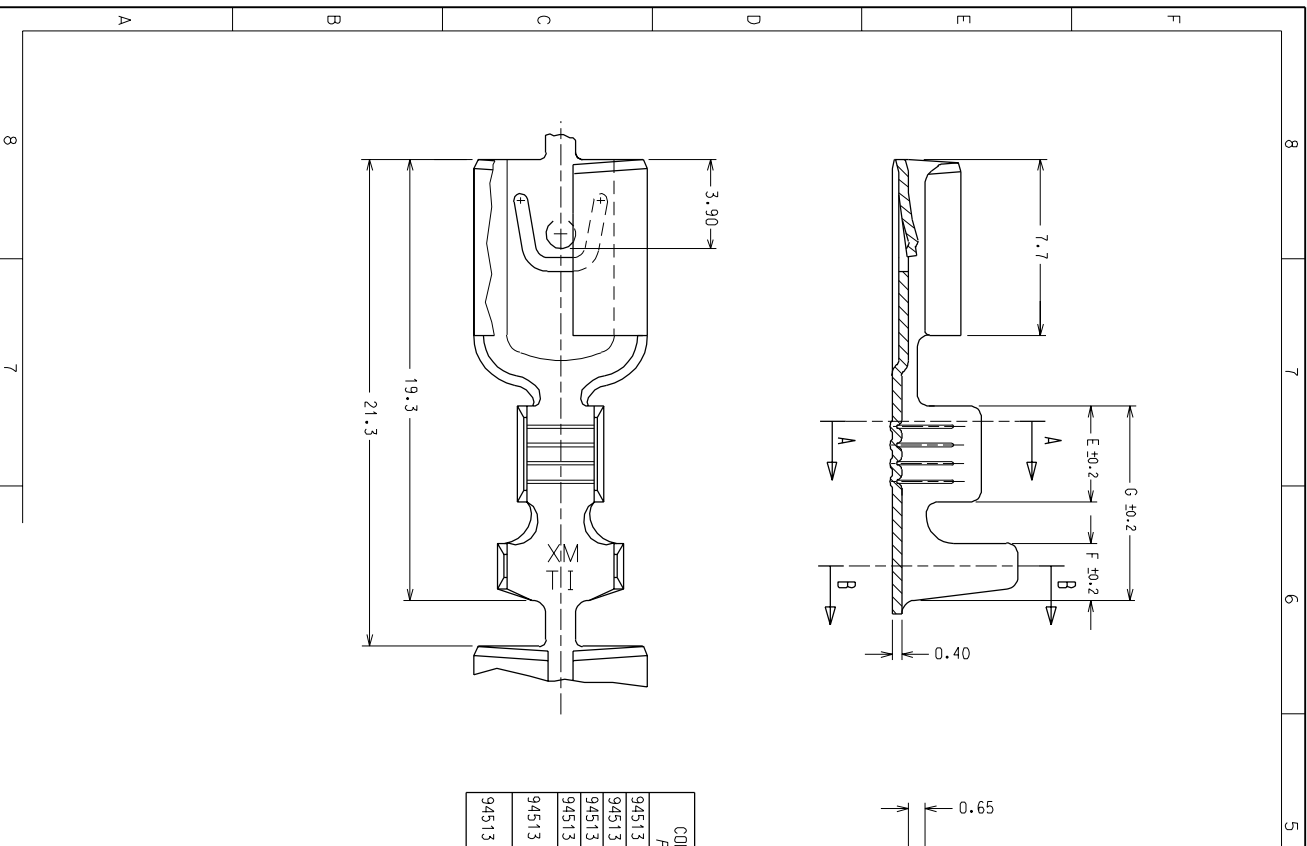


SECTION B - B



CODICE P/N	FINITURA PLATING	MATERIALE	SEZ. RANGE WIRE RANGE	Ø ISOLANTE INS. RANGE	DIMENSIONI / DIMENSION							CONFEZIONAMENTO PACKING QUANTITY	
					A	B	C	D	E	F	G		
94513 - 0100	gr eggio/pldn	ottone	0.5 - 1.0	2.0 - 3.3	3.0	4.5	4.5	4.2	2.4	8.3	21.000	pezzi/pacs.	
94513 - 0101	stagnato/th	brass	1.0 - 2.5	2.7 - 4.3	4.0	5.5	5.5	4.2	2.5	8.5	18.000	pezzi/pacs.	
94513 - 0200	gr eggio/pldn	ottone	1.0 - 2.5	2.7 - 4.3	3.8	5.5	5.5	4.2	2.5	8.5	18.000	pezzi/pacs.	
94513 - 0201	stagnato/th	brass	1.0 - 2.5	2.7 - 4.3	4.0	5.5	5.5	4.2	2.5	8.5	18.000	pezzi/pacs.	
94513 - 0130	gr eggio/pldn	dipoccd german silver	0.5 - 1.0	2.0 - 3.3	3.0	4.5	4.5	4.2	2.4	8.3	21.000	pezzi/pacs.	
94513 - 0230	gr eggio/pldn	german silver	1.0 - 2.5	2.7 - 4.3	3.8	4.0	5.5	5.5	4.2	2.5	8.5	18.000	pezzi/pacs.

-SPECIFICA DI RIFERIMENTO : PS 94513
 -REFERENCE SPECIFICATION : PS 94513
 -CONFEZIONE STANDARD : 3 BOBINE x SCATOLA (ved. tpb.)
 -STANDARD PACKING QUANTITY : 3 REELS x BOX (see chart)



A3	ECN Z7-014 24-07-97 mod. spessore G.F.																														
A2	ECN Z5-006 09-01-95 Agg.rif. PS 94513 S.L.																														
A1	ECN Z3-127 27-09-93 Agg.art.in alpacca G.F.																														
A	EMESSO DISCNO 18-11-91 S. L.																														
LTR	REVISIONS																														
<table border="1"> <tr> <th>DESIGN DIMENSION</th> <th>Ø (MM)</th> <th>Ø (IN)</th> </tr> <tr> <td>(PRIMARY)</td> <td>□</td> <td>□</td> </tr> <tr> <td>EQUIVALENT DIMENSION</td> <td>□</td> <td>□</td> </tr> <tr> <td>(SECONDARY)</td> <td>□</td> <td>□</td> </tr> </table>		DESIGN DIMENSION	Ø (MM)	Ø (IN)	(PRIMARY)	□	□	EQUIVALENT DIMENSION	□	□	(SECONDARY)	□	□																		
DESIGN DIMENSION	Ø (MM)	Ø (IN)																													
(PRIMARY)	□	□																													
EQUIVALENT DIMENSION	□	□																													
(SECONDARY)	□	□																													
<table border="1"> <tr> <th>DIMENSIONS SHOWN (METRIC)</th> <th>INCH</th> </tr> <tr> <td>UNLESS OTHERWISE SPECIFIED</td> <td></td> </tr> <tr> <td>TOLERANCES ANGULAR ±</td> <td>(METRIC)</td> </tr> <tr> <td>3 PLACE ±</td> <td></td> </tr> <tr> <td>2 PLACE ±</td> <td>± 0.10</td> </tr> <tr> <td>1 PLACE</td> <td>± 0.20</td> </tr> </table>		DIMENSIONS SHOWN (METRIC)	INCH	UNLESS OTHERWISE SPECIFIED		TOLERANCES ANGULAR ±	(METRIC)	3 PLACE ±		2 PLACE ±	± 0.10	1 PLACE	± 0.20																		
DIMENSIONS SHOWN (METRIC)	INCH																														
UNLESS OTHERWISE SPECIFIED																															
TOLERANCES ANGULAR ±	(METRIC)																														
3 PLACE ±																															
2 PLACE ±	± 0.10																														
1 PLACE	± 0.20																														
DRAWING BY L. SONTBESSE																															
CHK'D BY																															
APP'D BY M. Previcchio																															
SCALE 5 : 1																															
<table border="1"> <tr> <th>REVISE ONLY ON CAD SYSTEM</th> <th>SH.</th> <th>REV.</th> </tr> <tr> <td>CAD FILE: 94513005</td> <td></td> <td></td> </tr> <tr> <td colspan="3">THIS DRAWING CONTAINS INFORMATION THAT IS PROPRIETARY TO MOLEX INC AND SHOULD NOT BE USED WITHOUT WRITTEN PERMISSION</td> </tr> <tr> <td colspan="3">TITLE</td> </tr> <tr> <td colspan="3">CAPCORDRA FEMMINA PER MASCHIO 6.3 x 0.8 -LIF- DK KONECT RECEPTACLE FOR 6.3 x 0.8 TABS -LIF-</td> </tr> <tr> <td colspan="3">MOLEX INCORPORATED</td> </tr> <tr> <td colspan="3">SHEET NO./DATE 1/1 18-11-91</td> </tr> <tr> <td colspan="3">PART NO. SEE CHART</td> </tr> <tr> <td colspan="3">DWG NO. SD 94513-0XXX</td> </tr> <tr> <td colspan="3">SIZE M B</td> </tr> </table>		REVISE ONLY ON CAD SYSTEM	SH.	REV.	CAD FILE: 94513005			THIS DRAWING CONTAINS INFORMATION THAT IS PROPRIETARY TO MOLEX INC AND SHOULD NOT BE USED WITHOUT WRITTEN PERMISSION			TITLE			CAPCORDRA FEMMINA PER MASCHIO 6.3 x 0.8 -LIF- DK KONECT RECEPTACLE FOR 6.3 x 0.8 TABS -LIF-			MOLEX INCORPORATED			SHEET NO./DATE 1/1 18-11-91			PART NO. SEE CHART			DWG NO. SD 94513-0XXX			SIZE M B		
REVISE ONLY ON CAD SYSTEM	SH.	REV.																													
CAD FILE: 94513005																															
THIS DRAWING CONTAINS INFORMATION THAT IS PROPRIETARY TO MOLEX INC AND SHOULD NOT BE USED WITHOUT WRITTEN PERMISSION																															
TITLE																															
CAPCORDRA FEMMINA PER MASCHIO 6.3 x 0.8 -LIF- DK KONECT RECEPTACLE FOR 6.3 x 0.8 TABS -LIF-																															
MOLEX INCORPORATED																															
SHEET NO./DATE 1/1 18-11-91																															
PART NO. SEE CHART																															
DWG NO. SD 94513-0XXX																															
SIZE M B																															