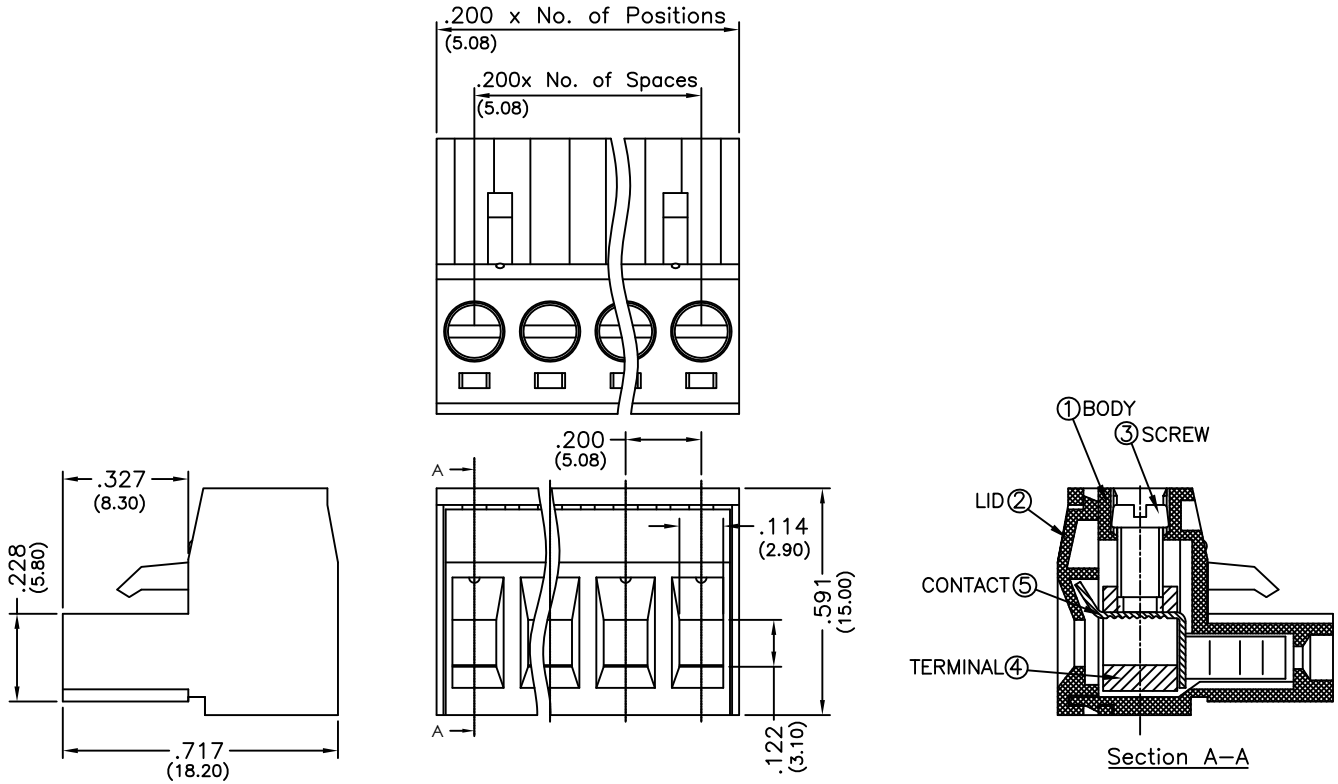


# Major League Electronics .200 cl Pluggable Socket Terminal Blocks



## Ordering Information

TBPS-00- 200 - XX - XX - LF

Pitch  
200 = .200 (5.08) cl

No. of Positions  
02 - 24

Color  
GR = Green (Standard)  
BK = Black  
BL = Blue  
WH = White  
GY = Grey  
OR = Orange  
YW = Yellow  
RD = Red  
BR = Brown

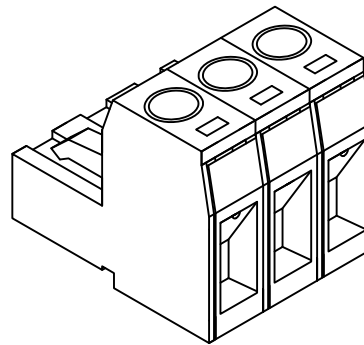
Lead Free

### Specifications

Current Rating: 10 Ampere  
Voltage Rating: AC 250V  
Wire Range: 12-26 AWG  
Dielectric Withstanding Voltage: AC 2500V/1 minute  
Insulation Resistance: DC 500V 1000MΩ  
Operating Temperature: -33°C to + 105°C  
Max Torque: 4.3 lb-in (4.95kgf. cm)  
Strip Length: .157-.236 (4-6mm)

### Materials

1. Body: PA66 (Nylon), UL94 V-0
2. Lid: PA66 (Nylon), UL94V-0
3. Screw: M3.0, C1018 Steel, Zinc Plated
4. Terminal: Brass, Nickel Plated
5. Contact: Phosphor Bronze, Tin Plated



Mates With:  
TBPH-00-200-XX-XX-LF

Parts are subject to change without notice

TBPS-00-200-XX-XX-LF

.200cl Pluggable Socket Terminal Block  
Non-Interlock

13 NOV 08

Scale  
NTS

UNLESS OTHERWISE SPECIFIED  
DIMENSIONS IN INCHES (MM)  
TOLERANCES IN INCHES:

ONE DECIMAL PLACE ±0.30  
TWO DECIMAL PLACE ±0.20  
THREE DECIMAL PLACE ±0.15  
FOUR DECIMAL PLACE ±0.10



4235 Earnings Way, New Albany, Indiana, 47150, USA  
1-800-782-3486 (USA/Canada/Mexico)  
Tel: 812-944-7244  
Fax: 812-944-7268  
E-mail: mle@mlelectronics.com  
Web: www.mlelectronics.com

Revision  
B

Sheet  
1/2

# Revisions

Revision B - (23rd Mar 2010)

Side view added

TBPS-00-200-XX-XX-LF

.200ci Pluggable Socket Terminal Block  
Non-Interlock

13 NOV 08

Scale  
NTS

UNLESS OTHERWISE SPECIFIED  
DIMENSIONS IN INCHES (MM)  
TOLERANCES IN INCHES:

ONE DECIMAL PLACE ±0.30  
TWO DECIMAL PLACE ±0.20  
THREE DECIMAL PLACE ±0.15  
FOUR DECIMAL PLACE ±0.10



4235 Earnings Way, New Albany, Indiana, 47150, USA  
1-800-782-3486 (USA/Canada/Mexico)  
Tel: 812-944-7244  
Fax: 812-944-7268  
E-mail: mle@mlelectronics.com  
Web: www.mlelectronics.com

Revision  
B

Sheet  
2/2