

TIA56A

56 Gb/s Transimpedance Amplifier

MICRAM

Type: Module

Technology: SiGe

f_T / f_{max} : 170/250 GHz

Metallization: 4

Ref.-No.: R1039

Brief description

The TIA56A is a versatile high-speed transimpedance amplifier for data rates up to 56 Gb/s at >28GHz bandwidth. Key features are:

- single-ended and differential I/O operation,
- very high small signal gain,
- small signal and limiting operation,
- high cut-off frequency,
- adjustable input offset,
- peak level detection
- output sense for offset control,
- tunable frequency response,
- output eye shape adjustment pin,
- dc and ac coupled operation,
- single supply voltage.

The TIA56A consists of a fully symmetrical differential input buffer. This allows differential as well as single ended drive and is optimized for 50 Ω line termination.

For applications which require adjustable input bias or compensation of DC input currents (e.g. photodiodes) the TIA56A allows to adjust the bias input current for each input independently. This feature can e.g. be used for offset cancellation, pulse shaping, duty cycle adjustment or vertical sampling-point adjustment.

The TIA56A exhibits a fully symmetrical differential output buffer which provides either one differential output signal or two single ended output signals. The output amplitude is set to typ. 800 mV_{pp} (differential signal).

Main fields of application are:

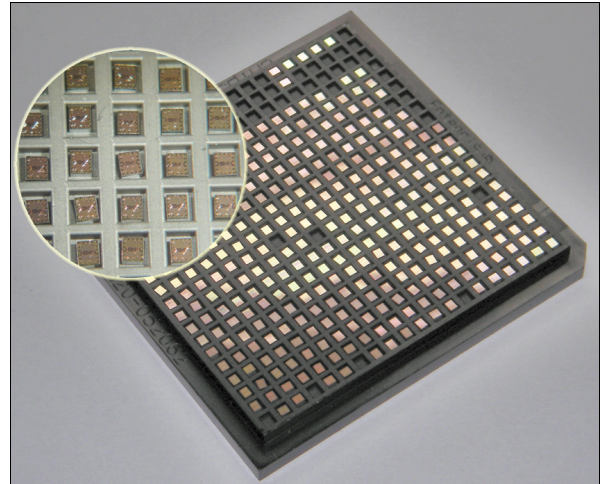
- TIA for photoreceiver,
- single-ended to differential conversion,
- differential to single-ended conversion,
- amplitude regeneration,
- active power/signal splitter,
- 50 Ω line driver.

Package

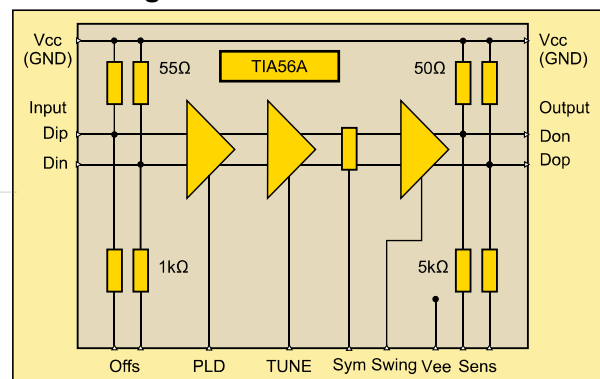
The TIA56A is available as bare die or as a ruggedized module equipped with K connectors. Other connector types are available upon request.

For further information on the TIA56A please contact your MICRAM sales representative.

TIA56A Dies



Block diagram of the TIA56A



TIA56A preliminary specifications

Power supply, (V_{ee})	-4.5 ... -5.5 V
Current consumption	85 mA @ -5.2 V
S11, S22 ($f < 20$) GHz	-12 dB
Input amplitude range	5 mV _{pp} - 1 V _{pp}
Output amplitude	0.8 V _{pp} , 56 Gb/s
Gain / Transimpedance	~ 36 dB / 3.2 k Ω
Cutoff frequency	~ 28 GHz (adjustable)
Input related noise	< 30 pA / $\sqrt{\text{Hz}}$

www.micram.com

Germany: +49-234-9708-300 USA: +1-650-678-0389

Copyright 2010, all rights reserved. Product specifications are subject to change without notice.

MICRAM
We design. You win.