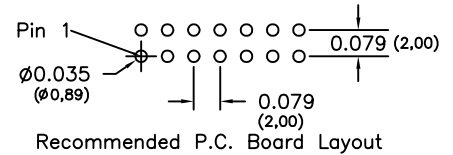
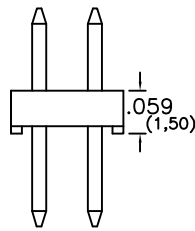
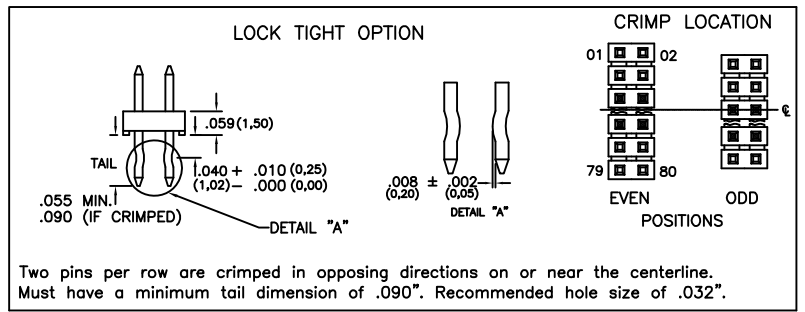
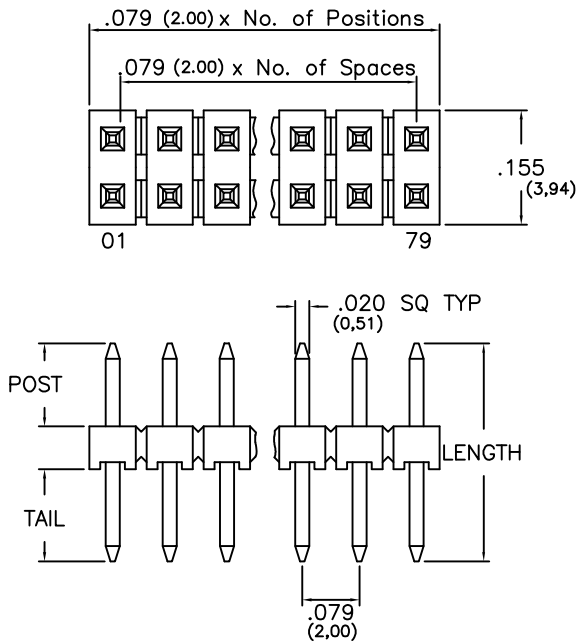
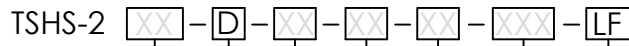


Major League Electronics .079 cl Terminal Strip Headers - Straight



Tails may be clipped to achieve desired pin length

Ordering Information



Pins Per Row: 01 - 40
 Row Specification: D = Dual Row
 Lead Free

Polarized Position: Leave blank if not needed. If required, specify empty pin position, e.g. 012 for Pin 12
 Lock Tight "LT" Option: Leave blank if not needed. LT = With

Pin Options						
Length	Post Height	Tail Length				
.323	8.20mm	.126	3.20mm	.138	3.51mm	02
		.146	3.71mm	.118	3.00mm	04
		.158	4.01mm	.106	2.70mm	06
.397	10.08mm	.126	3.20mm	.212	5.38mm	08
		.146	3.71mm	.192	4.88mm	10
		.158	4.01mm	.180	4.57mm	12
.417	10.59mm	.126	3.20mm	.232	5.89mm	14
		.146	3.71mm	.212	5.38mm	16
		.158	4.01mm	.200	5.08mm	18
.555	14.10mm	.126	3.20mm	.370	9.40mm	20
		.146	3.71mm	.350	8.90mm	22
		.158	4.01mm	.338	8.59mm	24
.575	14.61mm	.126	3.20mm	.390	9.91mm	26
		.146	3.71mm	.370	9.40mm	28
		.158	4.01mm	.358	9.09mm	30

Plating Options	
G	10µ Gold on Contact Area / Flash on Tail
T	Matte Tin All Over
GT	10µ Gold on Contact Area / Matte Tin on Tail
H	30µ Gold on Contact Area / Matte Tin on Tail
F	Gold Flash over Entire Pin

Specifications

Current Rating: 3.0 Ampere
 Insulation Resistance: 1000MΩ Min.
 Dielectric Withstanding: 500V AC
 Contact Resistance: 20 mΩ Max.
 Operating Temperature: -40°C to + 105°C
 Max. Process Temperature:
 Peak: 260°C up to 10 secs.
 Process: 230°C up to 60 secs.
 Wave: 260°C up to 6 secs.
 Manual Solder: 350°C up to 5 secs.

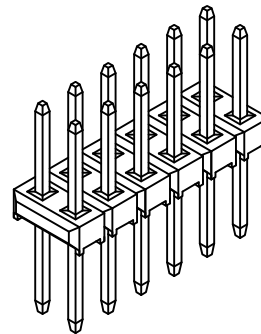
Materials

Contact Material: Phosphor Bronze
 Insulator Material: Nylon 6T
 Plating: Au or Sn over 50µ" (1,27) Ni

Products cut to specific sizes are uncancellable/nonreturnable

Parts are subject to change without notice

Mates with:
 BCSS,
 BSSH,
 BSSHC,
 BSSQ,
 BSSQC,
 BSSQM,
 LSMBC,
 LSSHSM,
 SMBC,
 SSHQ,
 SSHQR,
 SSHR,
 SSHS,
 SSHSM,
 ULSMBC



TSHS-2-D SERIES

.079cl Dual Row - Straight Terminal Strip Headers

21 FEB 07

Scale NTS

UNLESS OTHERWISE SPECIFIED DIMENSIONS IN INCHES (MM) TOLERANCES ARE:

ONE PLACE DECIMALS ±.100
 TWO PLACE DECIMALS ±.010
 THREE PLACE DECIMALS ±.005
 FOUR PLACE DECIMALS ±.0020

ANGLES ±3°



4235 Earnings Way, New Albany, Indiana, 47150, USA
 1-800-782-3486 (USA/Canada/Mexico)
 Tel: 812-944-7244
 Fax: 812-944-7268
 E-mail: mle@mlelectronics.com
 Web: www.mlelectronics.com

Edition 1

Sheet 1/1