

71475

NOTES:

1) MATERIALS:

HOUSING: GLASS FILLED LCP (LIQUID CRYSTAL POLYMER),  
UL 94V-0, COLOR: BLACK.  
MOLDED STICK: GLASS FILLED LCP (LIQUID CRYSTAL POLYMER),  
UL 94V-0, COLOR: BLACK.  
MALE TERMINAL: PHOSPHOR BRONZE  
OUTER SHELL: DEEP DRAWN STEEL.

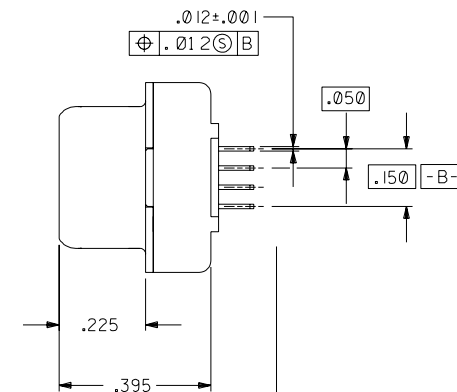
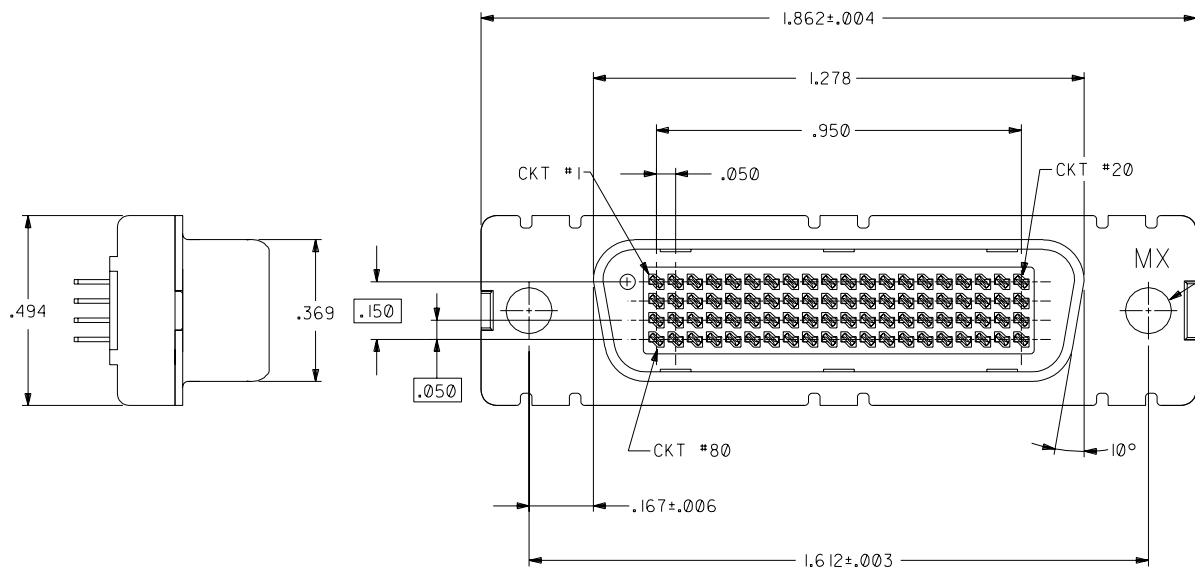
2) PLATING :

TERMINAL: .000030/(0.000762) MINIMUM GOLD IN SELECTIVE AREA;  
.000100/(0.00254) MINIMUM TIN IN SELECTIVE AREA;  
OVER NICKEL UNDERPLATE OVERALL.

OUTER SHELL: .000100/(0.00254) MINIMUM BRIGHT NICKEL  
OVER COPPER FLASH (OPTIONAL).

3) CONFORMS TO PRODUCT SPECIFICATION PS-70928.

4) PARTS TO BE PACKAGED PER PK-70873-0604.



ITEM NUMBER	DIM "A" (TAIL LENGTH)
71475-1000	.092±.007
71475-1001	.062±.007

NOTE FOR LEAD FREE CONVERSION:

THE PRIMARY SHIPPING CARTON WILL BE  
LABELED "COMPLIANT TO ROHS DIRECTIVE  
2002/95/EC AND ELV ANNEX II OF  
DIRECTIVE 2000/53/EC". CARTONS  
WITHOUT THIS LABEL MAY CONTAIN  
PRODUCT WITH LEAD.

E	LEADFREE ECN* UCP2004-1998 DMORGAN 04/04/15
D	MODIFIED PER ECN U6-1399 DRS 05/08/96
C	ADDED -1001 PER ECN U6-0957 DRS 02/13/96
B	REVISED PER ECN U6-0641 DRS 12/01/95
A	FIRST RELEASE PER ECN U5-1116 MOS 05/05/95

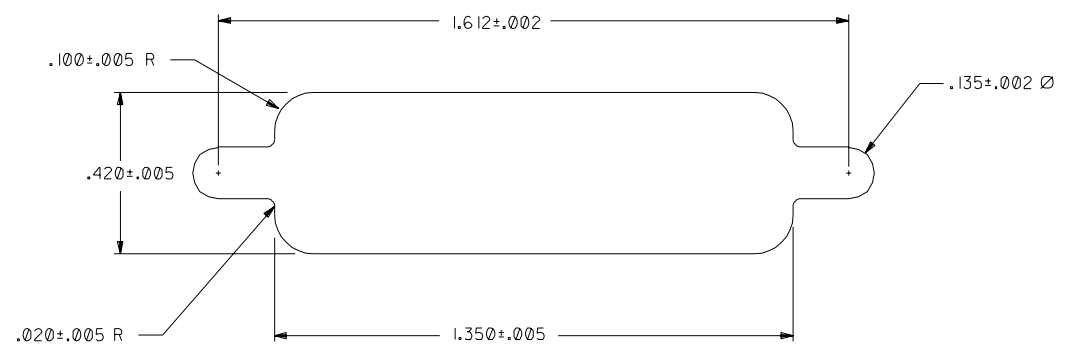
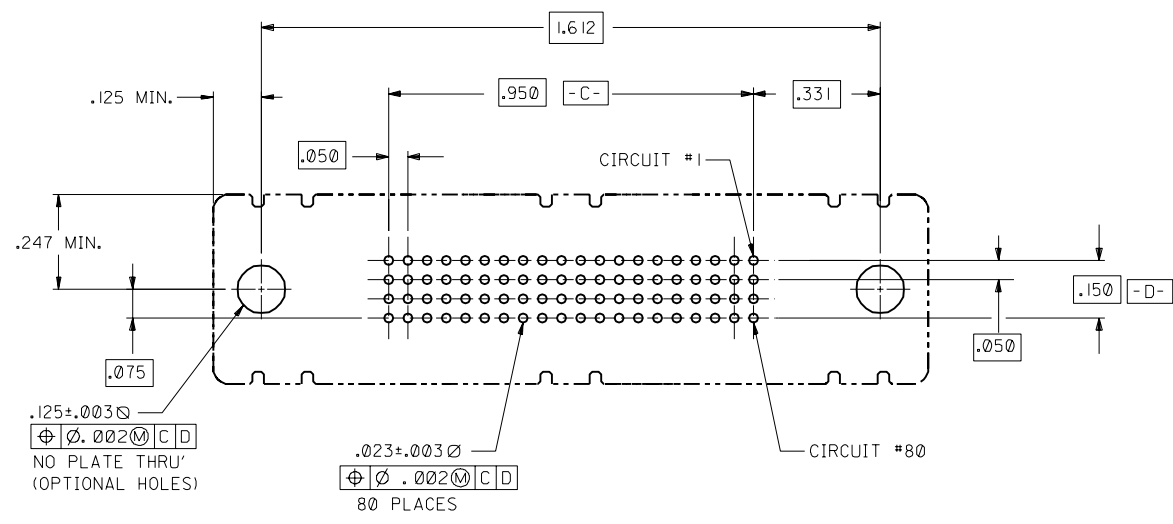
2	B			
1	E	A		
MFG.	SH.	REV.	LTR.	REVISIONS

DIMENSIONS SHOWN (METRIC) INCH UNLESS OTHERWISE SPECIFIED TOLERANCES: ANGULAR ± 1/2°		▽ = 0 ▽ = 0		REVISE ONLY ON CAD SYSTEM	
INCH METRIC		TITLE 0.050"x.050" 80ckt LFH Vertical Plug I/O FOR .062" THK. PCB			
3 PLACE ± .010	---	MOLEX INCORPORATED		SHEET NO.	DATE
2 PLACE ±	±	LITSE,ILL. 60532		1 OF 2	03/23/95
1 PLACE ---	±	PART NO. DRWG. NO. SEE CHART SDA-71475-100*			
DRAWG. BY MOS CHK'D. BY GWF		FILE NAME 571475X1		THIS DRAWING CONTAINS INFORMATION THAT IS PROPRIETARY TO MOLEX INC. AND SHOULD NOT BE USED WITHOUT WRITTEN PERMISSION.	
APPR'D. BY GWF SCALE 4: 1		SIZE CD C			

.020 STANDOFF

DIM "A"

71475



NOTE: MAX. PANEL THICKNESS: .040"

B	SEE SHEET I
A	SEE SHEET I

DIMENSIONS SHOWN (METRIC) INCH		▽ = 0	▼ = 0	REVISE ONLY ON CAD SYSTEM	
UNLESS OTHERWISE SPECIFIED TOLERANCES ANGULAR ± 1/2°		TITLE			
INCH METRIC		.050"x.050" @ 80ckt LFH			
3 PLACE ± .010 ---		Vertical Plug I/O			
2 PLACE ± ±		FOR .062" THK PCB			
1 PLACE --- ±		MOLEX INCORPORATED SHEET NO. DATE			
DRAFT WHERE APPLICABLE MUST REMAIN WITHIN DIMENSIONS		L15LEJLL 60532 U.S.A.		2 03/23/95	
PART NO.		DRWG. NO.		SEE SHEET I SDA-71475-100*	
DRWG. BY: MOS	CHK'D. BY: GWF	FILE NAME: S71475X2	THIS DRAWING CONTAINS INFORMATION THAT IS PROPRIETARY TO MOLEX INC. AND SHOULD NOT BE USED WITHOUT WRITTEN PERMISSION.	DIV.:	SIZE: CD C
APP'D. BY: GWF	SCALE: 4: 1	DGN:			