

Compact Flash Memory Card Connectors



Features/Benefits

TYPE I

SERIES 5610/5611/5612

Series 5610, 5611 and 5612 are memory card connectors supporting Compact Flash. They are used for small portable devices such as digital cameras, Notebook PC, PDA, etc.

Series 5610 consists of header and ejector, Series 5611 of card receptacle connector and Series 5612 of card kit covers.

The header supports auto-mounting processes. It offers many options of ejector-button position and customized design. In addition to the normal and reverse type, standoff type (H=0/H=2.0) can also be offered, which enables the components to be mounted on the back side of card. The connector used for card side has variations of straddle mount type and single side mount type.

TECHNICAL SPECIFICATIONS

Series 5610

Number of Contacts:	50
Pitch:	1.27mm (0.05) Grid
Tail Pitch:	0.635mm (0.025)
Current Rating:	0.5A Max.
Voltage Rating:	5V Max.
DW Voltage:	500V rms/min.
Mating Cycles	10,000

Series 5611

Number of Contacts:	50
Pitch:	1.27mm (0.05) Grid
Tail Pitch	
Straddle:	1.27mm (0.05)
Single Side:	0.635mm (0.025)
Current Rating:	0.5A Max.
Voltage Rating:	5V Max.
DW Voltage:	500V rms/min.
Mating Cycles	10,000

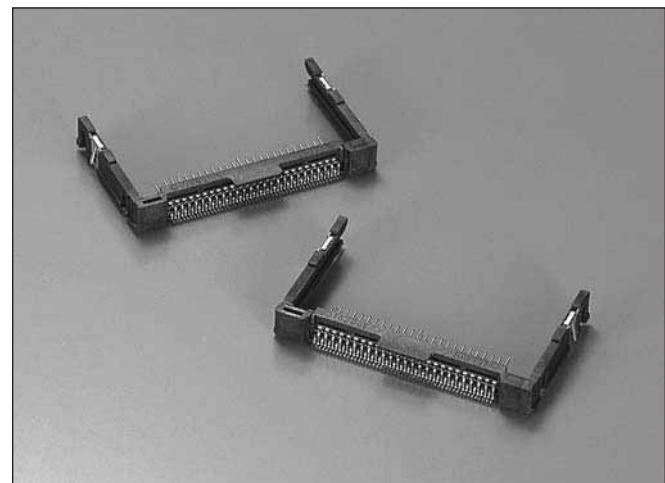
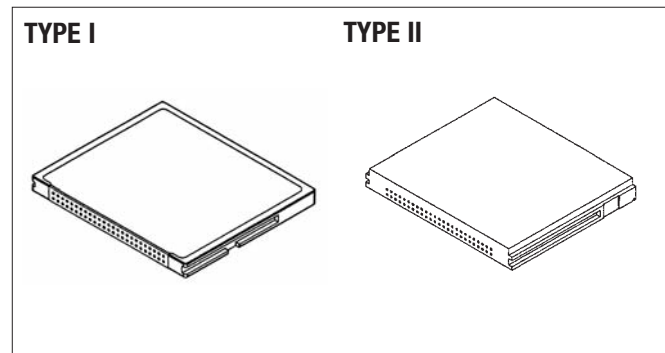
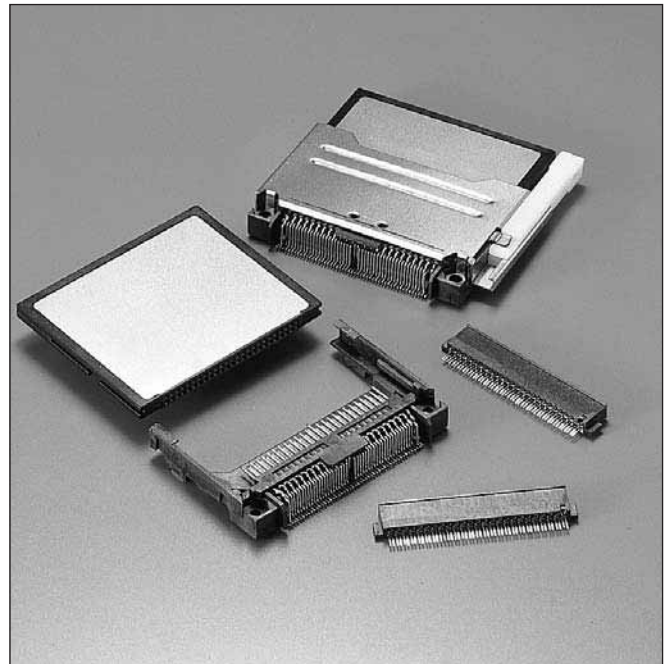
TYPE II

SERIES 5620

Series 5620 is a memory card connector designed to comply with the Type II card standard of Compact Flash Association.

TECHNICAL SPECIFICATIONS

Number of Contacts:	50
Pitch:	1.27mm (0.05) Grid
Tail Pitch:	0.635mm (0.025)
Current Rating:	0.5A Max.
Voltage Rating:	5V Max.
DW Voltage:	500V rms/min.
Mating Cycles	10,000

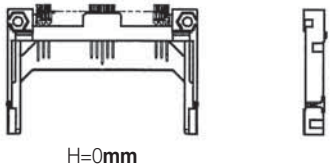
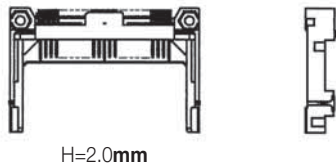


Compact Flash Memory Card Connectors

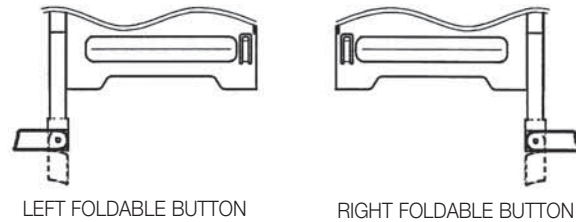
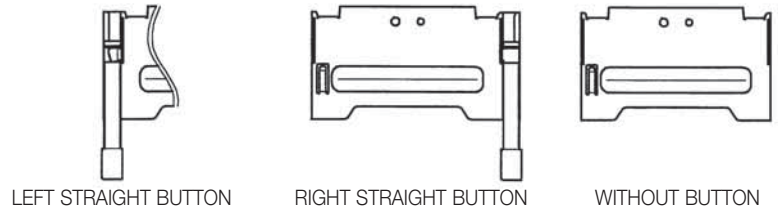


Series 5610/5620 Product Selection Guide

CONNECTOR



EJECTOR



CONNECTOR

Stand Off	Keying	Connector	Page
Type I Height=0	Normal	31 5610 050 500 871	24, 25
	Reverse	31 5610 050 550 871	
Type I Height=2.0	Normal	31 5610 050 210 871	26, 27
	Reverse	31 5610 050 260 871	
Type II Height=0	Normal	31 5620 050 116 871	28
Type II Height=2.0	Reverse	31 5620 050 716 871	29

CONNECTOR AND EJECTOR

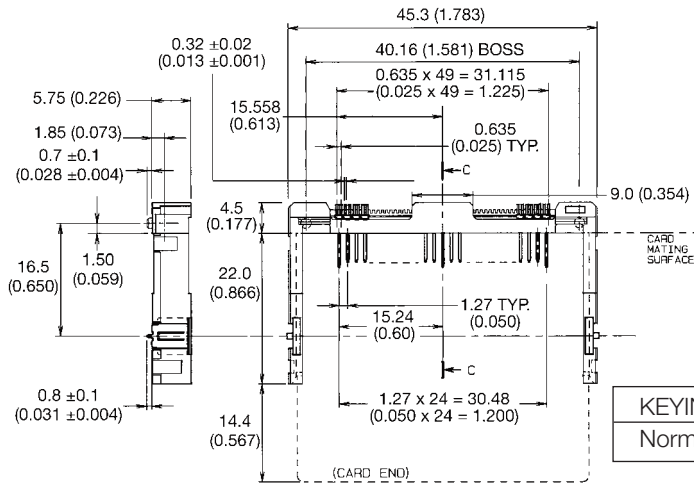
Connector Style		Ejector Style		How To Order		Page
Stand Off	Keying	Button Side		Connector	Ejector	
Type I Height=0	Normal	Straight	Left	31 5610 050 500 871	30 5610 000 001 000	24, 25
			Right	31 5610 050 500 871	30 5610 000 002 000	
		Foldable	Left	31 5610 050 500 871	30 5610 000 005 000	
			Right	31 5610 050 500 871	30 5610 000 006 000	
Type I Height=0	Reverse	Straight	Left	31 5610 050 550 871	30 5610 000 001 000	24, 25
			Right	31 5610 050 550 871	30 5610 000 002 000	
		Foldable	Left	31 5610 050 550 871	30 5610 000 005 000	
			Right	31 5610 050 550 871	30 5610 000 006 000	
Type I Height=2.0	Normal	Straight	Left	31 5610 050 210 871	30 5610 000 001 000	26, 27
			Right	31 5610 050 210 871	30 5610 000 002 000	
		Foldable	Left	31 5610 050 210 871	30 5610 000 005 000	
			Right	31 5610 050 210 871	30 5610 000 006 000	
Type I Height=2.0	Reverse	Straight	Left	31 5610 050 260 871	30 5610 000 001 000	26, 27
			Right	31 5610 050 260 871	30 5610 000 002 000	
		Foldable	Left	31 5610 050 260 871	30 5610 000 005 000	
			Right	31 5610 050 260 871	30 5610 000 006 000	
Type II Height=0	Normal	Straight	Left	31 5620 050 116 871	30 5620 000 001 000	28
			Right	31 5620 050 116 871	30 5620 000 002 000	
		Foldable	Left	31 5620 050 116 871	30 5620 000 005 000	
			Right	31 5620 050 116 871	30 5620 000 006 000	
Type II Height=2.0	Reverse	Straight	Left	31 5620 050 716 871	30 5620 000 001 000	29
			Right	31 5620 050 716 871	30 5620 000 002 000	
		Foldable	Left	31 5620 050 716 871	30 5620 000 005 000	
			Right	31 5620 050 716 871	30 5620 000 006 000	

Compact Flash Memory Card Connectors



Series 5620 Header/Ejector Assembly H=0mm

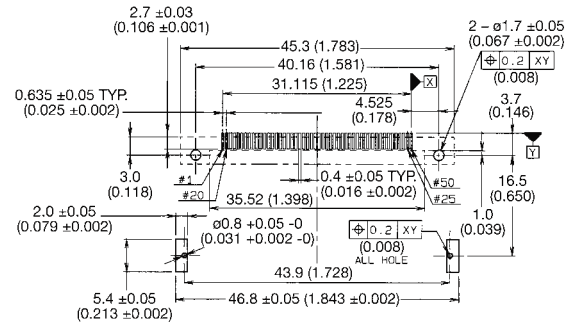
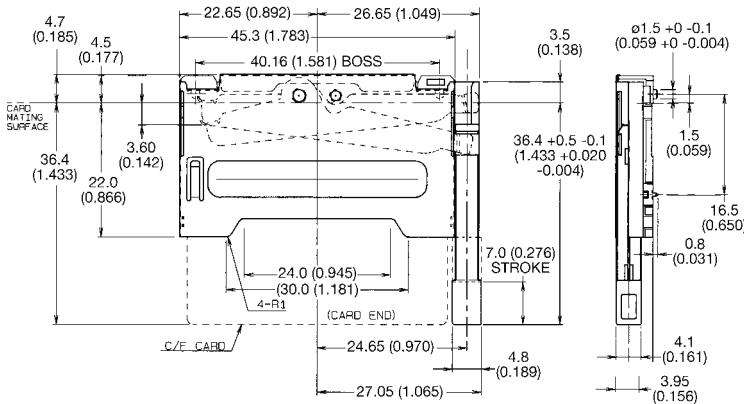
CONNECTOR



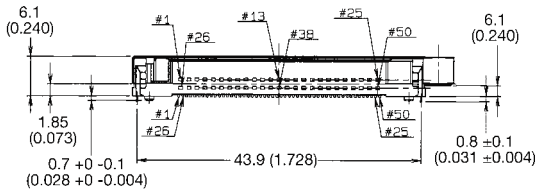
Description	Pin Number	0.10
Power	1, 13, 38, 50	5.00
General	All other pins	4.25
Detect	25, 26	3.50

KEYING	A	B	C	D	E	F	G	H
Normal	1.4	0.78	1	13	25	26	38	50

ASSEMBLY



RECOMMENDED PRINTED CIRCUIT LAYOUT



CONNECTOR HOW TO ORDER

31 5620 050 116 871

EJECTOR HOW TO ORDER

30 5620 000 XXX 000

Variation Code
See page 23

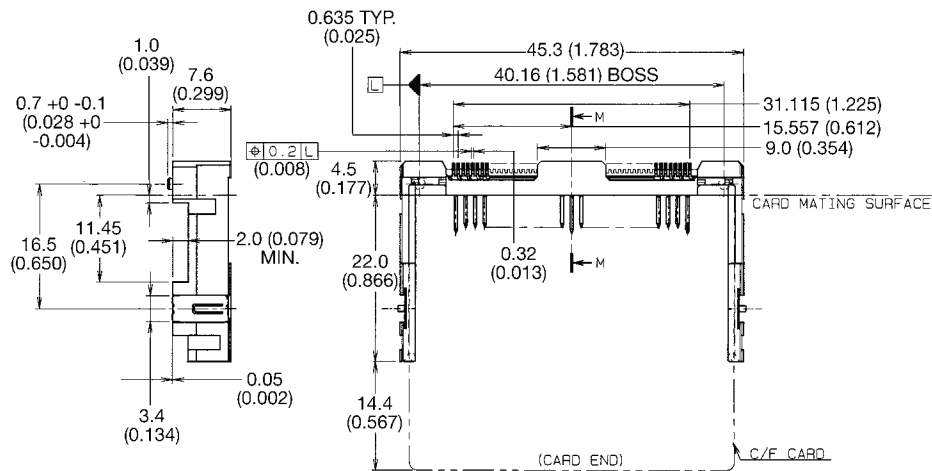


Compact Flash Memory Card Connectors



Series 5620 Header/Ejector Assembly H=2mm

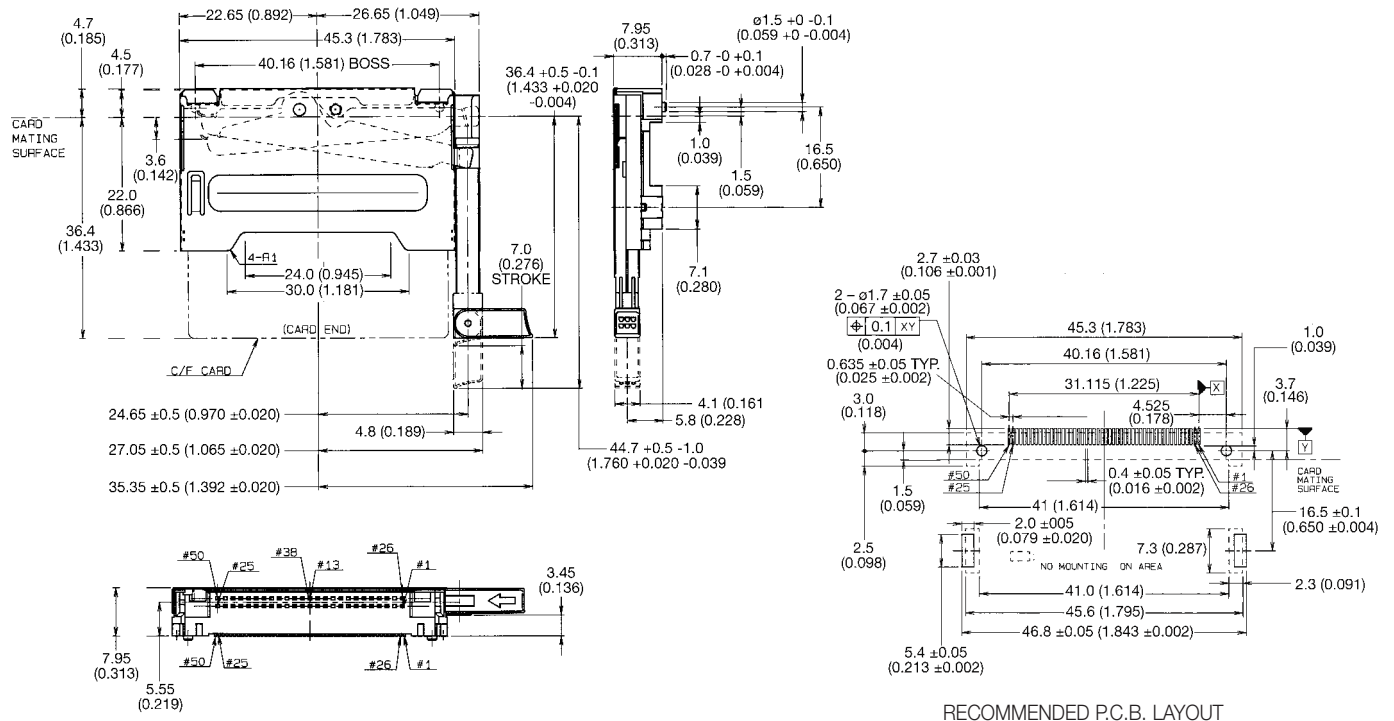
CONNECTOR



Description	Pin Number	0.10
Power	1, 13, 38, 50	5.00
General	All other pins	4.25
Detect	25, 26	3.50

KEYING	A	B	C	D	E	F	G	H
Normal	0.78	1.4	50	38	26	25	13	1

EJECTOR ASSEMBLY



RECOMMENDED P.C.B. LAYOUT

CONNECTOR HOW TO ORDER

31 5620 050 716 871

Variation Code
See page 23

EJECTOR HOW TO ORDER

30 5620 000 002 000

Variation Code
See page 23

