

# ACT 2 Family FPGAs

## Features

- Up to 8,000 Gate Array Gates (20,000 PLD equivalent gates)
- Replaces up to 200 TTL Packages
- Replaces up to eighty 20-Pin PAL<sup>®</sup> Packages
- Design Library with over 500 Macro Functions
- Single-Module Sequence Functions
- Wide-Input Combinatorial Functions
- Up to 1,232 Programmable Logic Modules
- Up to 998 Flip-Flops
- Datapath Performance at 105 MHz
- 16-Bit Accumulator Performance to 39 MHz
- Two In-Circuit Diagnostic Probe Pins Support Speed Analysis to 50 MHz
- Two High-Speed, Low-Skew Clock Networks
- I/O Drive to 10 mA
- Nonvolatile, User Programmable
- Logic Fully Tested Prior to Shipment
- 1.0 micron CMOS Technology

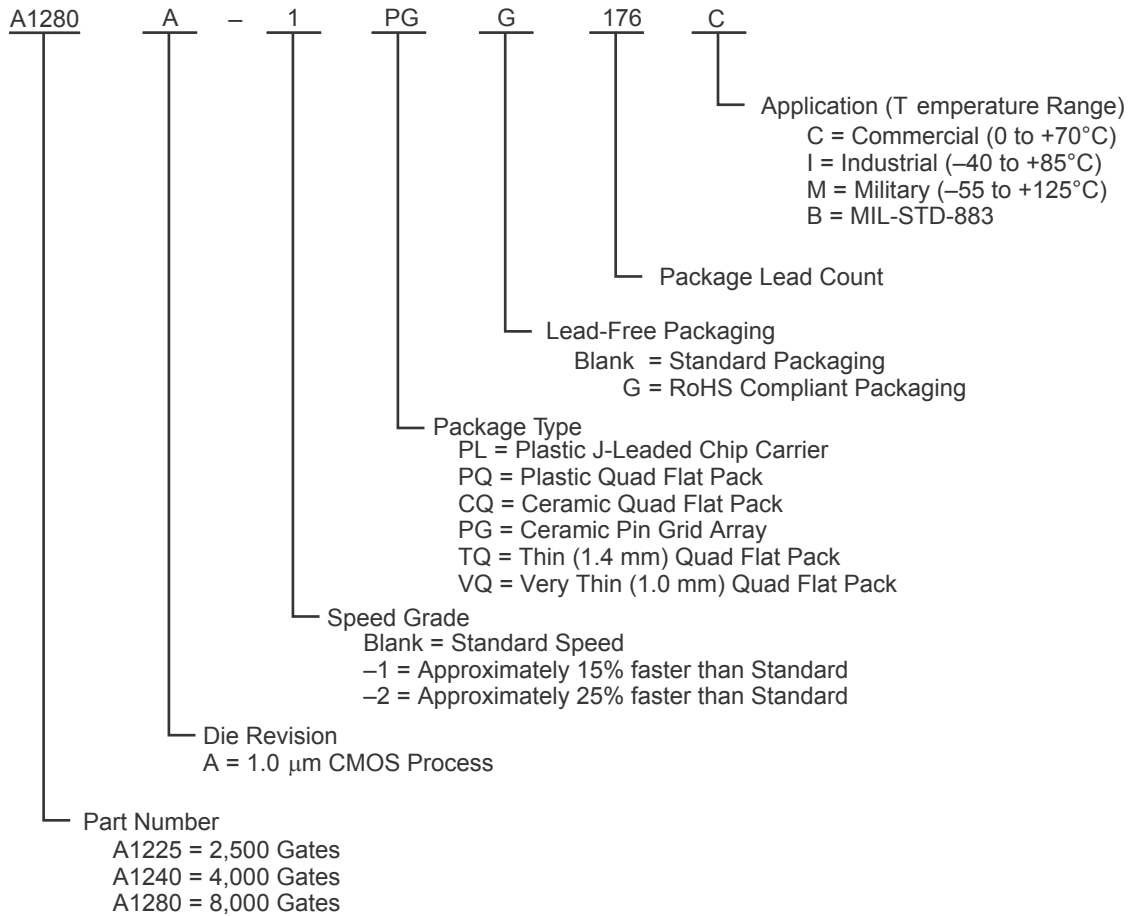
**Table 1 • ACT 2 Product Family Profile**

Device	A1225A	A1240A	A1280A
<b>Capacity</b>			
Gate Array Equivalent Gates	2,500	4,000	8,000
PLD Equivalent Gates	6,250	10,000	20,000
TTL Equivalent Package	63	100	200
20-Pin PAL Equivalent Packages	25	40	80
<b>Logic Modules</b>			
S-Module	231	348	624
C-Module	220	336	608
Flip-Flops (maximum)	382	568	998
<b>Routing Resources</b>			
Horizontal Tracks/Channel	36	36	36
Vertical Tracks/Channel	15	15	15
PLICE Antifuse Elements	250,000	400,000	750,000
User I/Os (maximum)	83	104	140
<b>Performance<sup>1</sup></b>			
16-Bit Prescaled Counters	105 MHz	100 MHz	85 MHz
16-Bit Loadable Counters	70 MHz	69 MHz	67 MHz
16-Bit Accumulators	39 MHz	38 MHz	36 MHz
<b>Packages<sup>2</sup></b>			
CPGA	PG100	PG132	PG176
PLCC	PL84	PL84	PL84
PQFP	PQ100	PQ144	PQ160
VQFP	VQ100	–	–
TQFP	–	TQ176	TQ176
CQFP	–	–	CQ172

**Notes:**

1. Performance is based on –2 speed devices at commercial worst-case operating conditions using PREP Benchmarks, Suite #1, Version 1.2, dated 3-28-93. Any analysis is not endorsed by PREP.
2. See the "Product Plan" on page III for package availability.

## Ordering Information



## Product Plan

Device/Package	Speed Grade <sup>1</sup>			Application <sup>1</sup>			
	Std.	-1	-2	C	I	M	B
<b>A1225A Device</b>							
84-Pin Plastic Leaded Chip Carrier (PL)	✓	✓	✓	✓	✓	-	-
100-Pin Plastic Quad Flatpack (PQ)	✓	✓	✓	✓	✓	-	-
100-Pin Very Thin Quad Flatpack (VQ)	✓	✓	✓	✓	-	-	-
100-Pin Ceramic Pin Grid Array (PG)	✓	✓	✓	✓	-	-	-
<b>A1240A Device</b>							
84-Pin Plastic Leaded Chip Carrier (PL)	✓	✓	✓	✓	✓	-	-
132-Pin Ceramic Pin Grid Array (PG)	✓	✓	✓	✓	-	✓	✓
144-Pin Plastic Quad Flat Pack (PQ)	✓	✓	✓	✓	✓	-	-
176-Pin Thin (1.4 mm) Quad Flat Pack (TQ)	✓	✓	✓	✓	-	-	-
<b>A1280A Device</b>							
160-Pin Plastic Quad Flatpack (PQ)	✓	✓	✓	✓	✓	-	-
172-Pin Ceramic Quad Flatpack (CQ)	✓	✓	✓	✓	-	✓	✓
176-Pin Ceramic Pin Grid Array (PG)	✓	✓	✓	✓	-	✓	✓
176-Pin Thin (1.4 mm) Quad Flat Pack (TQ)	✓	✓	✓	✓	-	-	-

**Notes:**

1. Applications:  
 C = Commercial  
 I = Industrial  
 M = Military  
 B = MIL-STD-883

- Availability:  
 ✓ = Available  
 P = Planned  
 - = Not planned

- Speed Grade:  
 -1 = Approx. 15% faster than Std.  
 -2 = Approx. 25% faster than Std.

2. Contact your Microsemi SoC Products Group sales representative for product availability.

## Device Resources

Device Series	Logic Modules	Gates	User I/Os									
			PG176	PG132	PG100	PQ160	PQ144	PQ100	PL84	CQ172	TQ176	VQ100
A1225A	451	2,500	-	-	83	-	-	83	72	-	-	83
A1240A	684	4,000	-	104	-	-	104	-	72	-	104	-
A1280A	1,232	8,000	140	-	-	125	-	-	72	140	140	-

Contact your local Microsemi SoC Products Group representative for device availability:

<http://www.microsemi.com/soc/contact/default.aspx>.

---

# Table of Contents

---

## ACT 2 Family Overview

General Description .....	1-1
---------------------------	-----

## Detailed Specifications

Operating Conditions .....	2-1
Package Thermal Characteristics .....	2-3
Power Dissipation .....	2-3
ACT 2 Timing Model <sup>1</sup> .....	2-7
Pin Descriptions .....	2-21

## Package Pin Assignments

PL84 .....	3-1
PQ100 .....	3-3
PQ144 .....	3-5
PQ160 .....	3-7
VQ100 .....	3-9
CQ172 .....	3-14
PG100 .....	3-16
PG132 .....	3-18
PG176 .....	3-20

## Datasheet Information

List of Changes .....	4-1
Datasheet Categories .....	4-2
Safety Critical, Life Support, and High-Reliability Applications Policy .....	4-2

# 1 – ACT 2 Family Overview

---

## General Description

The ACT 2 family represents Actel's second generation of field programmable gate arrays (FPGAs). The ACT 2 family presents a two-module architecture, consisting of C-modules and S-modules. These modules are optimized for both combinatorial and sequential designs. Based on Actel's patented channeled array architecture, the ACT 2 family provides significant enhancements to gate density and performance while maintaining downward compatibility with the ACT 1 design environment and upward compatibility with the ACT 3 design environment. The devices are implemented in silicon gate, 1.0- $\mu\text{m}$ , two-level metal CMOS, and employ Actel's PLICE® antifuse technology. This revolutionary architecture offers gate array design flexibility, high performance, and fast time-to-production with user programming. The ACT 2 family is supported by the Designer and Designer Advantage Systems, which offers automatic pin assignment, validation of electrical and design rules, automatic placement and routing, timing analysis, user programming, and diagnostic probe capabilities. The systems are supported on the following platforms: 386/486™ PC, Sun™, and HP™ workstations. The systems provide CAE interfaces to the following design environments: Cadence, Viewlogic®, Mentor Graphics®, and OrCAD™.



## 2 – Detailed Specifications

### Operating Conditions

**Table 2-1 • Absolute Maximum Ratings<sup>1</sup>**

Symbol	Parameter	Limits	Units
VCC	DC supply voltage	–0.5 to +7.0	V
VI	Input voltage	–0.5 to VCC + 0.5	V
VO	Output voltage	–0.5 to VCC + 0.5	V
IIO	I/O source sink current <sup>2</sup>	±20	mA
T <sub>STG</sub>	Storage temperature	–65 to +150	°C

**Notes:**

1. Stresses beyond those listed under "Absolute Maximum Ratings" may cause permanent damage to the device. Exposure to absolute maximum rated conditions for extended periods may affect device reliability. Device should not be operated outside the recommended operating conditions.
2. Device inputs are normally high impedance and draw extremely low current. However, when input voltage is greater than VCC + 0.5 V for less than GND –0.5 V, the internal protection diodes will be forward biased and can draw excessive current.

**Table 2-2 • Recommended Operating Conditions**

Parameter	Commercial	Industrial	Military	Units
Temperature range*	0 to +70	–40 to +85	–55 to +125	°C
Power supply tolerance	±5	±10	±10	%VCC

**Note:** \*Ambient temperature ( $T_A$ ) is used for commercial and industrial; case temperature ( $T_C$ ) is used for military.

**Table 2-3 • Electrical Specifications**

Symbol	Parameter	Commercial		Industrial		Military		Units
		Min.	Max.	Min.	Max.	Min.	Max.	
VOH <sup>1</sup>	(IOH = -10 mA) <sup>2</sup>	2.4	-	-	-	-	-	V
	(IOH = -6 mA)	3.84	-	-	-	-	-	V
	(IOH = -4 mA)	-	-	3.7	-	3.7	-	V
VOL <sup>1</sup>	(IOL = 10 mA) <sup>2</sup>	-	0.5	-	-	-	-	V
	(IOL = 6 mA)	-	0.33	-	0.40	-	0.40	V
VIL		-0.3	0.8	-0.3	0.8	-0.3	0.8	V
VIH		2.0	VCC + 0.3	2.0	VCC + 0.3	2.0	VCC + 0.3	V
Input Transition Time t <sub>R</sub> , t <sub>F</sub> <sup>2</sup>		-	500	-	500	-	500	ns
C <sub>IO</sub> I/O capacitance <sup>2,3</sup>		-	10	-	10	-	10	pF
Standby Current, ICC <sup>4</sup> (typical = 1 mA)		-	2	-	10	-	20	mA
Leakage Current <sup>5</sup>		-10	+10	-10	+10	-10	+10	μA
ICC(D)	Dynamic VCC supply current. See the Power Dissipation section.							

**Notes:**

1. Only one output tested at a time. VCC = minimum.
2. Not tested, for information only.
3. Includes worst-case PG176 package capacitance. VOUT = 0 V, f = 1 MHz
4. All outputs unloaded. All inputs = VCC or GND, typical ICC = 1 mA. ICC limit includes IPP and ISV during normal operations.
5. VOUT, VIN = VCC or GND.



## Package Thermal Characteristics

The device junction to case thermal characteristic is  $\theta_{jc}$ , and the junction to ambient air characteristic is  $\theta_{ja}$ . The thermal characteristics for  $\theta_{ja}$  are shown with two different air flow rates.

Maximum junction temperature is 150°C.

A sample calculation of the absolute maximum power dissipation allowed for a PQ160 package at commercial temperature and still air is as follows:

$$\frac{\text{Max. junction temp. (°C)} - \text{Max. ambient temp. (°C)}}{\theta_{ja} \text{ °C/W}} = \frac{150\text{°C} - 70\text{°C}}{33\text{°C/W}} = 2.4 \text{ W}$$

EQ 1

**Table 2-4 • Package Thermal Characteristics**

Package Type*	Pin Count	$\theta_{jc}$	$\theta_{ja}$ Still Air	$\theta_{ja}$ 300 ft./min.	Units
Ceramic Pin Grid Array	100	5	35	17	°C/W
	132	5	30	15	°C/W
	176	8	23	12	°C/W
Ceramic Quad Flatpack	172	8	25	15	°C/W
Plastic Quad Flatpack <sup>1</sup>	100	13	48	40	°C/W
	144	15	40	32	°C/W
	160	15	38	30	°C/W
Plastic Leaded Chip Carrier	84	12	37	28	°C/W
Very Thin Quad Flatpack	100	12	43	35	°C/W
Thin Quad Flatpack	176	15	32	25	°C/W

*Notes: (Maximum Power in Still Air)*

1. Maximum power dissipation values for PQFP packages are 1.9 W (PQ100), 2.3 W (PQ144), and 2.4 W (PQ160).
2. Maximum power dissipation for PLCC packages is 2.7 W.
3. Maximum power dissipation for VQFP packages is 2.3 W.
4. Maximum power dissipation for TQFP packages is 3.1 W.

## Power Dissipation

$$P = [\text{ICC standby} + \text{ICC active}] * V_{CC} + \text{IOL} * \text{VOL} * N + \text{IOH} * (V_{CC} - \text{VOH}) * M$$

EQ 2

where:

ICC standby is the current flowing when no inputs or outputs are changing

ICC active is the current flowing due to CMOS switching.

IOL and IOH are TTL sink/source currents.

VOL and VOH are TTL level output voltages.

N is the number of outputs driving TTL loads to VOL.

M is the number of outputs driving TTL loads to VOH.

An accurate determination of N and M is problematical because their values depend on the family type, design details, and on the system I/O. The power can be divided into two components: static and active.

## Static Power Component

Microsemi FPGAs have small static power components that result in lower power dissipation than PALs or PLDs. By integrating multiple PALs/PLDs into one FPGA, an even greater reduction in board-level power dissipation can be achieved.

The power due to standby current is typically a small component of the overall power. Standby power is calculated in [Table 2-5](#) for commercial, worst case conditions.

**Table 2-5 • Standby Power Calculation**

ICC	VCC	Power
2 mA	5.25 V	10.5 mW

The static power dissipated by TTL loads depends on the number of outputs driving high or low and the DC load current. Again, this value is typically small. For instance, a 32-bit bus sinking 4 mA at 0.33 V will generate 42 mW with all outputs driving low, and 140 mW with all outputs driving high. The actual dissipation will average somewhere between as I/Os switch states with time.

## Active Power Component

Power dissipation in CMOS devices is usually dominated by the active (dynamic) power dissipation. This component is frequency dependent, a function of the logic and the external I/O. Active power dissipation results from charging internal chip capacitances of the interconnect, unprogrammed antifuses, module inputs, and module outputs, plus external capacitance due to PC board traces and load device inputs.

An additional component of the active power dissipation is the totem-pole current in CMOS transistor pairs. The net effect can be associated with an equivalent capacitance that can be combined with frequency and voltage to represent active power dissipation.

## Equivalent Capacitance

The power dissipated by a CMOS circuit can be expressed by [EQ 3](#).

$$\text{Power } (\mu\text{W}) = C_{\text{EQ}} * V_{\text{CC}}^2 * F$$

EQ 3

Where:

$C_{\text{EQ}}$  is the equivalent capacitance expressed in pF.

VCC is the power supply in volts.

F is the switching frequency in MHz.

Equivalent capacitance is calculated by measuring ICC active at a specified frequency and voltage for each circuit component of interest. Measurements have been made over a range of frequencies at a fixed value of VCC. Equivalent capacitance is frequency independent so that the results may be used over a wide range of operating conditions. Equivalent capacitance values are shown in [Table 2-6](#).

**Table 2-6 • CEQ Values for Microsemi FPGAs**

Item	CEQ Value
Modules ( $C_{\text{EQM}}$ )	5.8
Input Buffers ( $C_{\text{EQI}}$ )	12.9
Output Buffers ( $C_{\text{EQO}}$ )	23.8
Routed Array Clock Buffer Loads ( $C_{\text{EQCR}}$ )	3.9

To calculate the active power dissipated from the complete design, the switching frequency of each part of the logic must be known. EQ 4 shows a piece-wise linear summation over all components.

$$\begin{aligned} \text{Power} = & VCC^2 * [(m * C_{EQM} * f_m)_{\text{modules}} + (n * C_{EQI} * f_n)_{\text{inputs}} \\ & + (p * (C_{EQO} + C_L) * f_p)_{\text{outputs}} \\ & + 0.5 * (q1 * C_{EQCR} * f_{q1})_{\text{routed\_Clk1}} + (r1 * f_{q1})_{\text{routed\_Clk1}} \\ & + 0.5 * (q2 * C_{EQCR} * f_{q2})_{\text{routed\_Clk2}} + (r2 * f_{q2})_{\text{routed\_Clk2}} \end{aligned}$$

EQ 4

Where:

- m = Number of logic modules switching at  $f_m$
- n = Number of input buffers switching at  $f_n$
- p = Number of output buffers switching at  $f_p$
- q1 = Number of clock loads on the first routed array clock
- q2 = Number of clock loads on the second routed array clock
- r1 = Fixed capacitance due to first routed array clock
- r2 = Fixed capacitance due to second routed array clock
- $C_{EQM}$  = Equivalent capacitance of logic modules in pF
- $C_{EQI}$  = Equivalent capacitance of input buffers in pF
- $C_{EQO}$  = Equivalent capacitance of output buffers in pF
- $C_{EQCR}$  = Equivalent capacitance of routed array clock in pF
- $C_L$  = Output lead capacitance in pF
- $f_m$  = Average logic module switching rate in MHz
- $f_n$  = Average input buffer switching rate in MHz
- $f_p$  = Average output buffer switching rate in MHz
- $f_{q1}$  = Average first routed array clock rate in MHz
- $f_{q2}$  = Average second routed array clock rate in MHz

**Table 2-7 • Fixed Capacitance Values for Microsemi FPGAs**

Device Type	r1, routed_Clk1	r2, routed_Clk2
A1225A	106	106.0
A1240A	134	134.2
A1280A	168	167.8

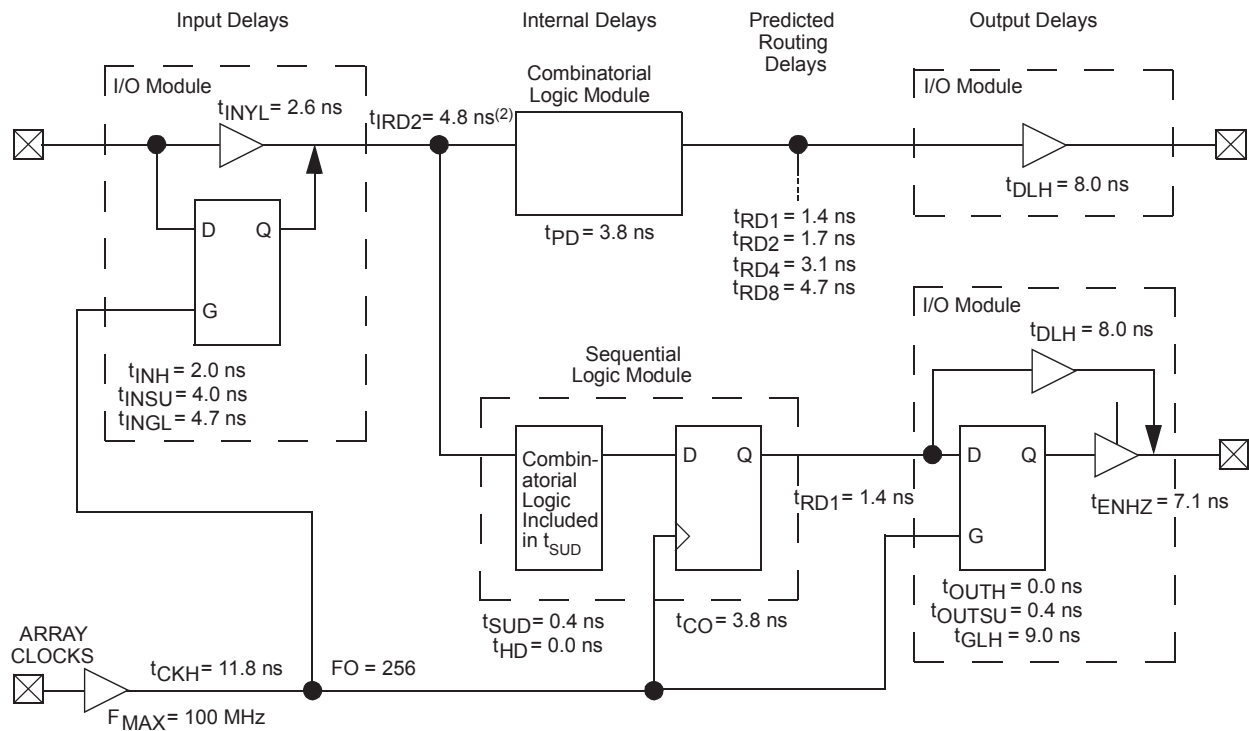
## Determining Average Switching Frequency

To determine the switching frequency for a design, you must have a detailed understanding of the data input values to the circuit. The following guidelines are meant to represent worst-case scenarios so that they can be generally used to predict the upper limits of power dissipation. These guidelines are given in Table 2-8.

**Table 2-8 • Guidelines for Predicting Power Dissipation**

Data	Value
Logic Modules (m)	80% of modules
Inputs switching (n)	# inputs/4
Outputs switching (p)	# output/4
First routed array clock loads (q1)	40% of sequential modules
Second routed array clock loads (q2)	40% of sequential modules
Load capacitance ( $C_L$ )	35 pF
Average logic module switching rate ( $f_m$ )	F/10
Average input switching rate ( $f_n$ )	F/5
Average output switching rate ( $f_p$ )	F/10
Average first routed array clock rate ( $f_{q1}$ )	F
Average second routed array clock rate ( $f_{q2}$ )	F/2

# ACT 2 Timing Model<sup>1</sup>

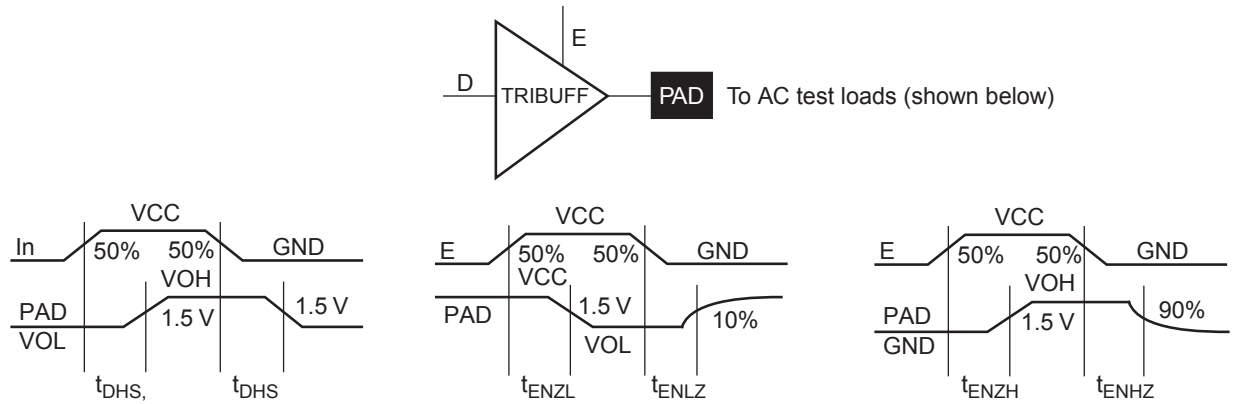


**Notes:**

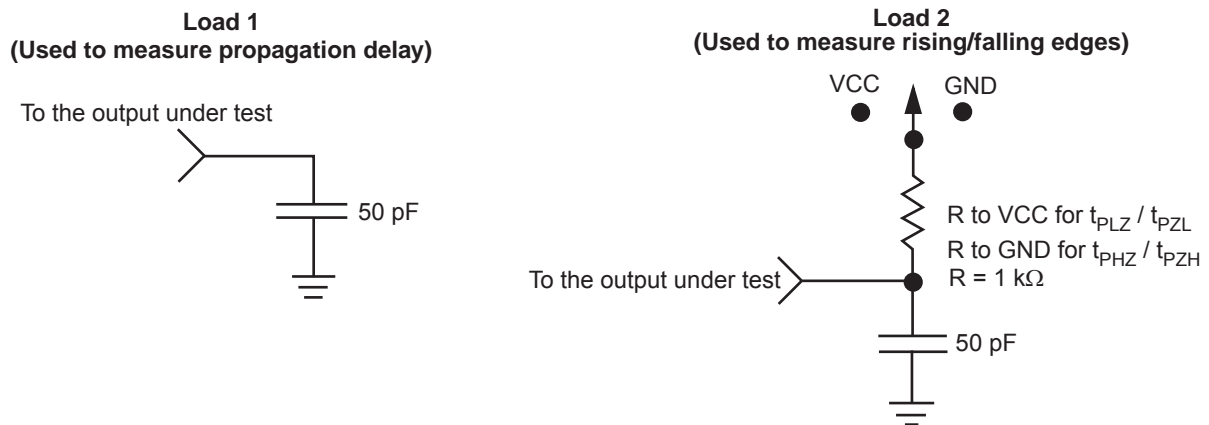
1. Values shown for A1240A-2 at worst-case commercial conditions.
2. Input module predicted routing delay

**Figure 2-1 • Timing Model**

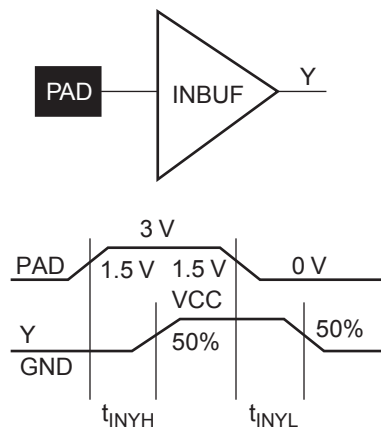
## Parameter Measurement



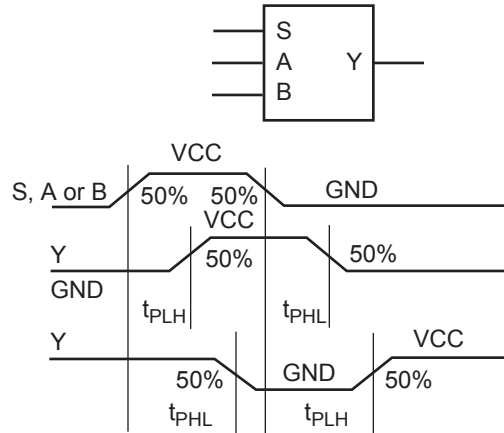
**Figure 2-2 • Output Buffer Delays**



**Figure 2-3 • AC Test Loads**

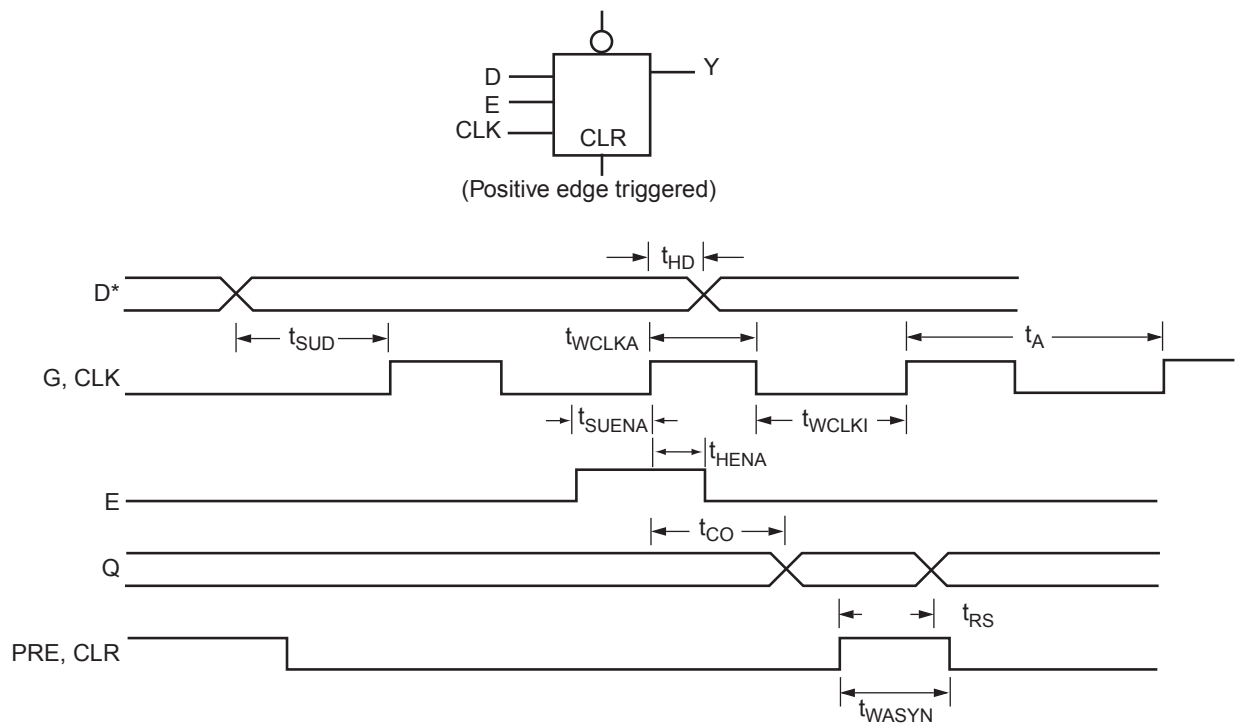


**Figure 2-4 • Input Buffer Delays**



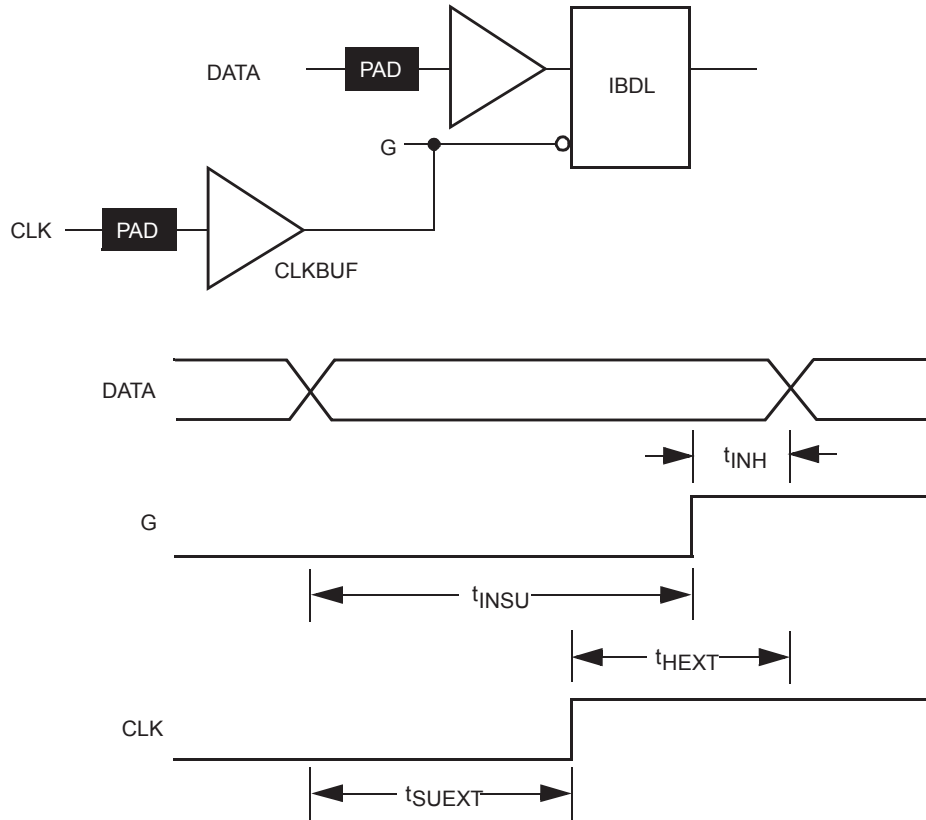
**Figure 2-5 • Module Delays**

## Sequential Module Timing Characteristics

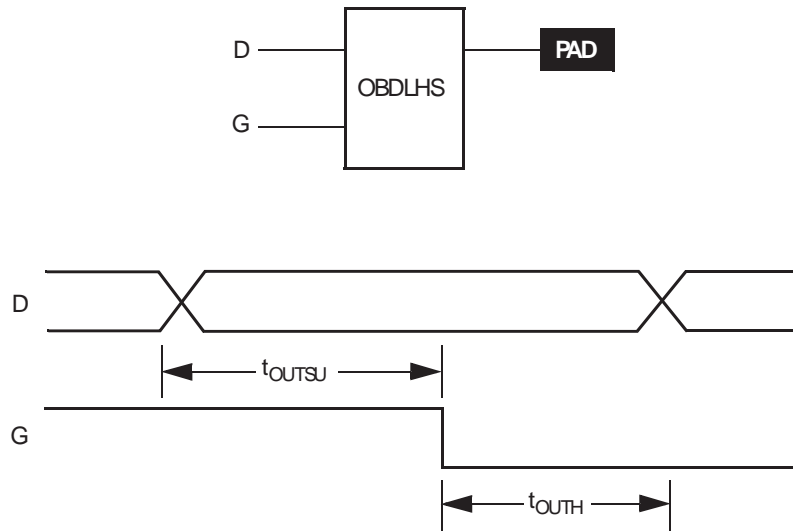


*Note:* D represents all data functions involving A, B, and S for multiplexed flip-flops.

**Figure 2-6 • Flip-Flops and Latches**



**Figure 2-7 • Input Buffer Latches**



**Figure 2-8 • Output Buffer Latches**



## Timing Derating Factor (Temperature and Voltage)

**Table 2-9 • Timing Derating Factor (Temperature and Voltage)**

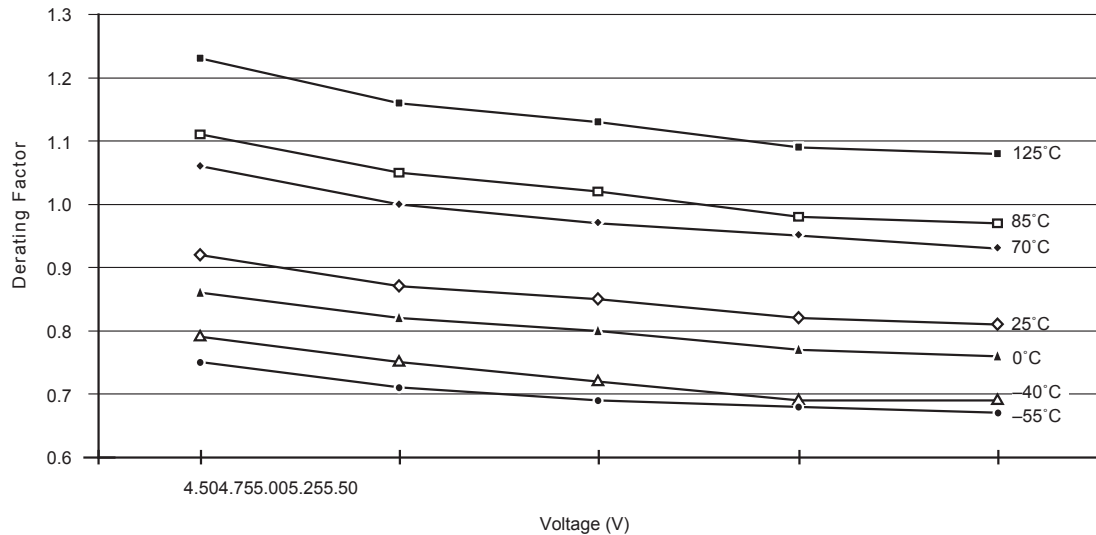
(Commercial Minimum/Maximum Specification) x	Industrial		Military	
	Min.	Max.	Min.	Max.
	0.69	1.11	0.67	1.23

**Table 2-10 • Timing Derating Factor for Designs at Typical Temperature ( $T_J = 25^\circ\text{C}$ ) and Voltage (5.0 V)**

(Commercial Maximum Specification) x	0.85
--------------------------------------	------

**Table 2-11 • Temperature and Voltage Derating Factors (normalized to Worst-Case Commercial,  $T_J = 4.75\text{ V}$ ,  $70^\circ\text{C}$ )**

	-55	-40	0	25	70	85	125
<b>4.50</b>	0.75	0.79	0.86	0.92	1.06	1.11	1.23
<b>4.75</b>	0.71	0.75	0.82	0.87	1.00	1.05	1.13
<b>5.00</b>	0.69	0.72	0.80	0.85	0.97	1.02	1.13
<b>5.25</b>	0.68	0.69	0.77	0.82	0.95	0.98	1.09
<b>5.50</b>	0.67	0.69	0.76	0.81	0.93	0.97	1.08



*Note:* This derating factor applies to all routing and propagation delays.

**Figure 2-9 • Junction Temperature and Voltage Derating Curves (normalized to Worst-Case Commercial,  $T_J = 4.75\text{ V}$ ,  $70^\circ\text{C}$ )**

## A1225A Timing Characteristics

Table 2-12 • A1225A Worst-Case Commercial Conditions, VCC = 4.75 V, T<sub>J</sub> = 70°C

Logic Module Propagation Delays <sup>1</sup>		-2 Speed <sup>3</sup>		-1 Speed		Std. Speed		Units
Parameter/Description		Min.	Max.	Min.	Max.	Min.	Max.	
t <sub>PD1</sub>	Single Module		3.8		4.3		5.0	ns
t <sub>CO</sub>	Sequential Clock to Q		3.8		4.3		5.0	ns
t <sub>GO</sub>	Latch G to Q		3.8		4.3		5.0	ns
t <sub>RS</sub>	Flip-Flop (Latch) Reset to Q		3.8		4.3		5.0	ns
Predicted Routing Delays <sup>2</sup>								
t <sub>RD1</sub>	FO = 1 Routing Delay		1.1		1.2		1.4	ns
t <sub>RD2</sub>	FO = 2 Routing Delay		1.7		1.9		2.2	ns
t <sub>RD3</sub>	FO = 3 Routing Delay		2.3		2.6		3.0	ns
t <sub>RD4</sub>	FO = 4 Routing Delay		2.8		3.1		3.7	ns
t <sub>RD8</sub>	FO = 8 Routing Delay		4.4		4.9		5.8	ns
Sequential Timing Characteristics <sup>3,4</sup>								
t <sub>SUD</sub>	Flip-Flop (Latch) Data Input Setup	0.4		0.4		0.5		ns
t <sub>HD</sub>	Flip-Flop (Latch) Data Input Hold	0.0		0.0		0.0		ns
t <sub>SUENA</sub>	Flip-Flop (Latch) Enable Setup	0.8		0.9		1.0		ns
t <sub>HENA</sub>	Flip-Flop (Latch) Enable Hold	0.0		0.0		0.0		ns
t <sub>WCLKA</sub>	Flip-Flop (Latch) Clock Active Pulse Width	4.5		5.0		6.0		ns
t <sub>WASYN</sub>	Flip-Flop (Latch) Clock Asynchronous Pulse Width	4.5		5.0		6.0		ns
t <sub>A</sub>	Flip-Flop Clock Input Period	9.4		11.0		13.0		ns
t <sub>INH</sub>	Input Buffer Latch Hold	0.0		0.0		0.0		ns
t <sub>INSU</sub>	Input Buffer Latch Setup	0.4		0.4		0.5		ns
t <sub>OUTH</sub>	Output Buffer Latch Hold	0.0		0.0		0.0		ns
t <sub>OUTSU</sub>	Output Buffer Latch Setup	0.4		0.4		0.5		ns
f <sub>MAX</sub>	Flip-Flop (Latch) Clock Frequency		105.0		90.0		75.0	MHz

**Notes:**

- For dual-module macros, use t<sub>PD1</sub> + t<sub>RD1</sub> + t<sub>PDn</sub>, t<sub>CO</sub> + t<sub>RD1</sub> + t<sub>PDn</sub>, or t<sub>PD1</sub> + t<sub>RD1</sub> + t<sub>SUD</sub>—whichever is appropriate.
- Routing delays are for typical designs across worst-case operating conditions. These parameters should be used for estimating device performance. Post-route timing analysis or simulation is required to determine actual worst-case performance. Post-route timing is based on actual routing delay measurements performed on the device prior to shipment.
- Data applies to macros based on the S-module. Timing parameters for sequential macros constructed from C-modules can be obtained from the DirectTime Analyzer utility.
- Setup and hold timing parameters for the Input Buffer Latch are defined with respect to the PAD and the D input. External setup/hold timing parameters must account for delay from an external PAD signal to the G inputs. Delay from an external PAD signal to the G input subtracts (adds) to the internal setup (hold) time.

## A1225A Timing Characteristics (continued)

**Table 2-13 • A1225A Worst-Case Commercial Conditions, VCC = 4.75 V, T<sub>J</sub> = 70°C**

I/O Module Input Propagation Delays			-2 Speed		-1 Speed		Std. Speed		Units
			Min.	Max.	Min.	Max.	Min.	Max.	
t <sub>IINYH</sub>	Pad to Y High		2.9		3.3		3.8	ns	
t <sub>IINYL</sub>	Pad to Y Low		2.6		3.0		3.5	ns	
t <sub>INGH</sub>	G to Y High		5.0		5.7		6.6	ns	
t <sub>INGL</sub>	G to Y Low		4.7		5.4		6.3	ns	
<b>Input Module Predicted Input Routing Delays*</b>									
t <sub>IRD1</sub>	FO = 1 Routing Delay		4.1		4.6		5.4	ns	
t <sub>IRD2</sub>	FO = 2 Routing Delay		4.6		5.2		6.1	ns	
t <sub>IRD3</sub>	FO = 3 Routing Delay		5.3		6.0		7.1	ns	
t <sub>IRD4</sub>	FO = 4 Routing Delay		5.7		6.4		7.6	ns	
t <sub>IRD8</sub>	FO = 8 Routing Delay		7.4		8.3		9.8	ns	
<b>Global Clock Network</b>									
t <sub>CKH</sub>	Input Low to High	FO = 32		10.2		11.0		12.8	ns
		FO = 256		11.8		13.0		15.7	
t <sub>CKL</sub>	Input High to Low	FO = 32		10.2		11.0		12.8	ns
		FO = 256		12.0		13.2		15.9	
t <sub>PWH</sub>	Minimum Pulse Width High	FO = 32	3.4		4.1		4.5	ns	
		FO = 256	3.8		4.5		5.0		
t <sub>PWL</sub>	Minimum Pulse Width Low	FO = 32	3.4		4.1		4.5	ns	
		FO = 256	3.8		4.5		5.0		
t <sub>CKSW</sub>	Maximum Skew	FO = 32		0.7		0.7		0.7	ns
		FO = 256		3.5		3.5		3.5	
t <sub>SUEXT</sub>	Input Latch External Setup	FO = 32	0.0		0.0		0.0	ns	
		FO = 256	0.0		0.0		0.0		
t <sub>HEXT</sub>	Input Latch External Hold	FO = 32	7.0		7.0		7.0	ns	
		FO = 256	11.2		11.2		11.2		
t <sub>P</sub>	Minimum Period	FO = 32	7.7		8.3		9.1	ns	
		FO = 256	8.1		8.8		10.0		
f <sub>MAX</sub>	Maximum Frequency	FO = 32		130.0		120.0		110.0	ns
		FO = 256		125.0		115.0		100.0	

*Note:* \*These parameters should be used for estimating device performance. Optimization techniques may further reduce delays by 0 to 4 ns. Routing delays are for typical designs across worst-case operating conditions. Post-route timing analysis or simulation is required to determine actual worst-case performance. Post-route timing is based on actual routing delay measurements performed on the device prior to shipment.

## A1225A Timing Characteristics (continued)

**Table 2-14 • A1225A Worst-Case Commercial Conditions, VCC = 4.75 V, T<sub>J</sub> = 70°C**

TTL Output Module Timing <sup>1</sup>		-2 Speed		-1 Speed		Std. Speed		Units
		Min.	Max.	Min.	Max.	Min.	Max.	
t <sub>DLH</sub>	Data to Pad High		8.0		9.0		10.6	ns
t <sub>DHL</sub>	Data to Pad Low		10.1		11.4		13.4	ns
t <sub>ENZH</sub>	Enable Pad Z to High		8.9		10.0		11.8	ns
t <sub>ENZL</sub>	Enable Pad Z to Low		11.6		13.2		15.5	ns
t <sub>ENHZ</sub>	Enable Pad High to Z		7.1		8.0		9.4	ns
t <sub>ENLZ</sub>	Enable Pad Low to Z		8.3		9.5		11.1	ns
t <sub>GLH</sub>	G to Pad High		8.9		10.2		11.9	ns
t <sub>GHL</sub>	G to Pad Low		11.2		12.7		14.9	ns
d <sub>TLH</sub>	Delta Low to High		0.07		0.08		0.09	ns/pF
d <sub>THL</sub>	Delta High to Low		0.12		0.13		0.16	ns/pF
CMOS Output Module Timing <sup>1</sup>								
t <sub>DLH</sub>	Data to Pad High		10.1		11.5		13.5	ns
t <sub>DHL</sub>	Data to Pad Low		8.4		9.6		11.2	ns
t <sub>ENZH</sub>	Enable Pad Z to High		8.9		10.0		11.8	ns
t <sub>ENZL</sub>	Enable Pad Z to Low		11.6		13.2		15.5	ns
t <sub>ENHZ</sub>	Enable Pad High to Z		7.1		8.0		9.4	ns
t <sub>ENLZ</sub>	Enable Pad Low to Z		8.3		9.5		11.1	ns
t <sub>GLH</sub>	G to Pad High		8.9		10.2		11.9	ns
t <sub>GHL</sub>	G to Pad Low		11.2		12.7		14.9	ns
d <sub>TLH</sub>	Delta Low to High		0.12		0.13		0.16	ns/pF
d <sub>THL</sub>	Delta High to Low		0.09		0.10		0.12	ns/pF

**Notes:**

1. Delays based on 50 pF loading.
2. SSO information can be found at [www.microsemi.com/soc/techdocs/appnotes/board\\_consideration.aspx](http://www.microsemi.com/soc/techdocs/appnotes/board_consideration.aspx).

## A1240A Timing Characteristics

Table 2-15 • A1240A Worst-Case Commercial Conditions, VCC = 4.75 V, T<sub>J</sub> = 70°C

Logic Module Propagation Delays <sup>1</sup>		-2 Speed <sup>3</sup>		-1 Speed		Std. Speed		Units
Parameter/Description		Min.	Max.	Min.	Max.	Min.	Max.	
t <sub>PD1</sub>	Single Module		3.8		4.3		5.0	ns
t <sub>CO</sub>	Sequential Clock to Q		3.8		4.3		5.0	ns
t <sub>GO</sub>	Latch G to Q		3.8		4.3		5.0	ns
t <sub>RS</sub>	Flip-Flop (Latch) Reset to Q		3.8		4.3		5.0	ns
<b>Predicted Routing Delays<sup>2</sup></b>								
t <sub>RD1</sub>	FO = 1 Routing Delay		1.4		1.5		1.8	ns
t <sub>RD2</sub>	FO = 2 Routing Delay		1.7		2.0		2.3	ns
t <sub>RD3</sub>	FO = 3 Routing Delay		2.3		2.6		3.0	ns
t <sub>RD4</sub>	FO = 4 Routing Delay		3.1		3.5		4.1	ns
t <sub>RD8</sub>	FO = 8 Routing Delay		4.7		5.4		6.3	ns
<b>Sequential Timing Characteristics<sup>3,4</sup></b>								
t <sub>SUD</sub>	Flip-Flop (Latch) Data Input Setup	0.4		0.4		0.5		ns
t <sub>HD</sub>	Flip-Flop (Latch) Data Input Hold	0.0		0.0		0.0		ns
t <sub>SUENA</sub>	Flip-Flop (Latch) Enable Setup	0.8		0.9		1.0		ns
t <sub>HENA</sub>	Flip-Flop (Latch) Enable Hold	0.0		0.0		0.0		ns
t <sub>WCLKA</sub>	Flip-Flop (Latch) Clock Active Pulse Width	4.5		6.0		6.5		ns
t <sub>WASYN</sub>	Flip-Flop (Latch) Clock Asynchronous Pulse Width	4.5		6.0		6.5		ns
t <sub>A</sub>	Flip-Flop Clock Input Period	9.8		12.0		15.0		ns
t <sub>INH</sub>	Input Buffer Latch Hold	0.0		0.0		0.0		ns
t <sub>INSU</sub>	Input Buffer Latch Setup	0.4		0.4		0.5		ns
t <sub>OUTH</sub>	Output Buffer Latch Hold	0.0		0.0		0.0		ns
t <sub>OUTSU</sub>	Output Buffer Latch Setup	0.4		0.4		0.5		ns
f <sub>MAX</sub>	Flip-Flop (Latch) Clock Frequency		100.0		80.0		66.0	MHz

**Notes:**

1. For dual-module macros, use t<sub>PD1</sub> + t<sub>RD1</sub> + t<sub>PDn</sub>, t<sub>CO</sub> + t<sub>RD1</sub> + t<sub>PDn</sub>, or t<sub>PD1</sub> + t<sub>RD1</sub> + t<sub>SUD</sub>—whichever is appropriate.
2. Routing delays are for typical designs across worst-case operating conditions. These parameters should be used for estimating device performance. Post-route timing analysis or simulation is required to determine actual worst-case performance. Post-route timing is based on actual routing delay measurements performed on the device prior to shipment.
3. Data applies to macros based on the S-module. Timing parameters for sequential macros constructed from C-modules can be obtained from the DirectTime Analyzer utility.
4. Setup and hold timing parameters for the Input Buffer Latch are defined with respect to the PAD and the D input. External setup/hold timing parameters must account for delay from an external PAD signal to the G inputs. Delay from an external PAD signal to the G input subtracts (adds) to the internal setup (hold) time.

## A1240A Timing Characteristics (continued)

**Table 2-16 • A1240A Worst-Case Commercial Conditions, VCC = 4.75 V, T<sub>J</sub> = 70°C**

I/O Module Input Propagation Delays			-2 Speed		-1 Speed		Std. Speed		Units
			Min.	Max.	Min.	Max.	Min.	Max.	
t <sub>INYH</sub>	Pad to Y High		2.9		3.3		3.8	ns	
t <sub>INYL</sub>	Pad to Y Low		2.6		3.0		3.5	ns	
t <sub>INGH</sub>	G to Y High		5.0		5.7		6.6	ns	
t <sub>INGL</sub>	G to Y Low		4.7		5.4		6.3	ns	
<b>Input Module Predicted Input Routing Delays*</b>									
t <sub>IRD1</sub>	FO = 1 Routing Delay		4.2		4.8		5.6	ns	
t <sub>IRD2</sub>	FO = 2 Routing Delay		4.8		5.4		6.4	ns	
t <sub>IRD3</sub>	FO = 3 Routing Delay		5.4		6.1		7.2	ns	
t <sub>IRD4</sub>	FO = 4 Routing Delay		5.9		6.7		7.9	ns	
t <sub>IRD8</sub>	FO = 8 Routing Delay		7.9		8.9		10.5	ns	
<b>Global Clock Network</b>									
t <sub>CKH</sub>	Input Low to High	FO = 32		10.2		11.0		12.8	ns
		FO = 256		11.8		13.0		15.7	
t <sub>CKL</sub>	Input High to Low	FO = 32		10.2		11.0		12.8	ns
		FO = 256		12.0		13.2		15.9	
t <sub>PWH</sub>	Minimum Pulse Width High	FO = 32	3.8		4.5		5.5	ns	
		FO = 256	4.1		5.0		5.8		
t <sub>PWL</sub>	Minimum Pulse Width Low	FO = 32	3.8		4.5		5.5	ns	
		FO = 256	4.1		5.0		5.8		
t <sub>CKSW</sub>	Maximum Skew	FO = 32		0.5		0.5		0.5	ns
		FO = 256		2.5		2.5		2.5	
t <sub>SUEXT</sub>	Input Latch External Setup	FO = 32	0.0		0.0		0.0	ns	
		FO = 256	0.0		0.0		0.0		
t <sub>HEXT</sub>	Input Latch External Hold	FO = 32	7.0		7.0		7.0	ns	
		FO = 256	11.2		11.2		11.2		
t <sub>P</sub>	Minimum Period	FO = 32	8.1		9.1		11.1	ns	
		FO = 256	8.8		10.0		11.7		
f <sub>MAX</sub>	Maximum Frequency	FO = 32		125.0		110.0		90.0	ns
		FO = 256		115.0		100.0		85.0	

*Note:* \*These parameters should be used for estimating device performance. Optimization techniques may further reduce delays by 0 to 4 ns. Routing delays are for typical designs across worst-case operating conditions. Post-route timing analysis or simulation is required to determine actual worst-case performance. Post-route timing is based on actual routing delay measurements performed on the device prior to shipment.

## A1240A Timing Characteristics (continued)

**Table 2-17 • A1240A Worst-Case Commercial Conditions, VCC = 4.75 V, T<sub>J</sub> = 70°C**

TTL Output Module Timing <sup>1</sup>		-2 Speed		-1 Speed		Std. Speed		Units
		Min.	Max.	Min.	Max.	Min.	Max.	
t <sub>DLH</sub>	Data to Pad High		8.0		9.0		10.6	ns
t <sub>DHL</sub>	Data to Pad Low		10.1		11.4		13.4	ns
t <sub>ENZH</sub>	Enable Pad Z to High		8.9		10.0		11.8	ns
t <sub>ENZL</sub>	Enable Pad Z to Low		11.7		13.2		15.5	ns
t <sub>ENHZ</sub>	Enable Pad High to Z		7.1		8.0		9.4	ns
t <sub>ENLZ</sub>	Enable Pad Low to Z		8.4		9.5		11.1	ns
t <sub>GLH</sub>	G to Pad High		9.0		10.2		11.9	ns
t <sub>GHL</sub>	G to Pad Low		11.2		12.7		14.9	ns
d <sub>TLH</sub>	Delta Low to High		0.07		0.08		0.09	ns/pF
d <sub>THL</sub>	Delta High to Low		0.12		0.13		0.16	ns/pF
CMOS Output Module Timing <sup>1</sup>								
t <sub>DLH</sub>	Data to Pad High		10.2		11.5		13.5	ns
t <sub>DHL</sub>	Data to Pad Low		8.4		9.6		11.2	ns
t <sub>ENZH</sub>	Enable Pad Z to High		8.9		10.0		11.8	ns
t <sub>ENZL</sub>	Enable Pad Z to Low		11.7		13.2		15.5	ns
t <sub>ENHZ</sub>	Enable Pad High to Z		7.1		8.0		9.4	ns
t <sub>ENLZ</sub>	Enable Pad Low to Z		8.4		9.5		11.1	ns
t <sub>GLH</sub>	G to Pad High		9.0		10.2		11.9	ns
t <sub>GHL</sub>	G to Pad Low		11.2		12.7		14.9	ns
d <sub>TLH</sub>	Delta Low to High		0.12		0.13		0.16	ns/pF
d <sub>THL</sub>	Delta High to Low		0.09		0.10		0.12	ns/pF

**Notes:**

1. Delays based on 50 pF loading.
2. SSO information can be found at [www.microsemi.com/soc/techdocs/appnotes/board\\_consideration.aspx](http://www.microsemi.com/soc/techdocs/appnotes/board_consideration.aspx).

## A1280A Timing Characteristics

**Table 2-18 • A1280A Worst-Case Commercial Conditions, VCC = 4.75 V, T<sub>J</sub> = 70°C**

Logic Module Propagation Delays <sup>1</sup>		-2 Speed <sup>3</sup>		-1 Speed		Std. Speed		Units
Parameter/Description		Min.	Max.	Min.	Max.	Min.	Max.	
t <sub>PD1</sub>	Single Module		3.8		4.3		5.0	ns
t <sub>CO</sub>	Sequential Clock to Q		3.8		4.3		5.0	ns
t <sub>GO</sub>	Latch G to Q		3.8		4.3		5.0	ns
t <sub>RS</sub>	Flip-Flop (Latch) Reset to Q		3.8		4.3		5.0	ns
<b>Predicted Routing Delays<sup>2</sup></b>								
t <sub>RD1</sub>	FO = 1 Routing Delay		1.7		2.0		2.3	ns
t <sub>RD2</sub>	FO = 2 Routing Delay		2.5		2.8		3.3	ns
t <sub>RD3</sub>	FO = 3 Routing Delay		3.0		3.4		4.0	ns
t <sub>RD4</sub>	FO = 4 Routing Delay		3.7		4.2		4.9	ns
t <sub>RD8</sub>	FO = 8 Routing Delay		6.7		7.5		8.8	ns
<b>Sequential Timing Characteristics<sup>3,4</sup></b>								
t <sub>SUD</sub>	Flip-Flop (Latch) Data Input Setup	0.4		0.4		0.5		ns
t <sub>HD</sub>	Flip-Flop (Latch) Data Input Hold	0.0		0.0		0.0		ns
t <sub>SUENA</sub>	Flip-Flop (Latch) Enable Setup	0.8		0.9		1.0		ns
t <sub>HENA</sub>	Flip-Flop (Latch) Enable Hold	0.0		0.0		0.0		ns
t <sub>WCLKA</sub>	Flip-Flop (Latch) Clock Active Pulse Width	5.5		6.0		7.0		ns
t <sub>WASYN</sub>	Flip-Flop (Latch) Clock Asynchronous Pulse Width	5.5		6.0		7.0		ns
t <sub>A</sub>	Flip-Flop Clock Input Period	11.7		13.3		18.0		ns
t <sub>INH</sub>	Input Buffer Latch Hold	0.0		0.0		0.0		ns
t <sub>INSU</sub>	Input Buffer Latch Setup	0.4		0.4		0.5		ns
t <sub>OUTH</sub>	Output Buffer Latch Hold	0.0		0.0		0.0		ns
t <sub>OUTSU</sub>	Output Buffer Latch Setup	0.4		0.4		0.5		ns
f <sub>MAX</sub>	Flip-Flop (Latch) Clock Frequency		85.0		75.0		50.0	MHz

**Notes:**

- For dual-module macros, use t<sub>PD1</sub> + t<sub>RD1</sub> + t<sub>PDn</sub>, t<sub>CO</sub> + t<sub>RD1</sub> + t<sub>PDn</sub>, or t<sub>PD1</sub> + t<sub>RD1</sub> + t<sub>SUD</sub>—whichever is appropriate.
- Routing delays are for typical designs across worst-case operating conditions. These parameters should be used for estimating device performance. Post-route timing analysis or simulation is required to determine actual worst-case performance. Post-route timing is based on actual routing delay measurements performed on the device prior to shipment.
- Data applies to macros based on the S-module. Timing parameters for sequential macros constructed from C-modules can be obtained from the DirectTime Analyzer utility.
- Setup and hold timing parameters for the Input Buffer Latch are defined with respect to the PAD and the D input. External setup/hold timing parameters must account for delay from an external PAD signal to the G inputs. Delay from an external PAD signal to the G input subtracts (adds) to the internal setup (hold) time.



## A1280A Timing Characteristics (continued)

**Table 2-19 • A1280A Worst-Case Commercial Conditions, VCC = 4.75 V, T<sub>J</sub> = 70°C**

I/O Module Input Propagation Delays		-2 Speed		-1 Speed		Std. Speed		Units	
		Min.	Max.	Min.	Max.	Min.	Max.		
t <sub>INYH</sub>	Pad to Y High		2.9		3.3		3.8	ns	
t <sub>INYL</sub>	Pad to Y Low		2.7		3.0		3.5	ns	
t <sub>INGH</sub>	G to Y High		5.0		5.7		6.6	ns	
t <sub>INGL</sub>	G to Y Low		4.8		5.4		6.3	ns	
<b>Input Module Predicted Input Routing Delays*</b>									
t <sub>IRD1</sub>	FO = 1 Routing Delay		4.6		5.1		6.0	ns	
t <sub>IRD2</sub>	FO = 2 Routing Delay		5.2		5.9		6.9	ns	
t <sub>IRD3</sub>	FO = 3 Routing Delay		5.6		6.3		7.4	ns	
t <sub>IRD4</sub>	FO = 4 Routing Delay		6.5		7.3		8.6	ns	
t <sub>IRD8</sub>	FO = 8 Routing Delay		9.4		10.5		12.4	ns	
<b>Global Clock Network</b>									
t <sub>CKH</sub>	Input Low to High	FO = 32		10.2		11.0		12.8	ns
		FO = 256		13.1		14.6		17.2	
t <sub>CKL</sub>	Input High to Low	FO = 32		10.2		11.0		12.8	ns
		FO = 256		13.3		14.9		17.5	
t <sub>PWH</sub>	Minimum Pulse Width High	FO = 32	5.0		5.5		6.6		ns
		FO = 256	5.8		6.4		7.6		
t <sub>PWL</sub>	Minimum Pulse Width Low	FO = 32	5.0		5.5		6.6		ns
		FO = 256	5.8		6.4		7.6		
t <sub>CKSW</sub>	Maximum Skew	FO = 32		0.5		0.5		0.5	ns
		FO = 256		2.5		2.5		2.5	
t <sub>SUEXT</sub>	Input Latch External Setup	FO = 32	0.0		0.0		0.0		ns
		FO = 256	0.0		0.0		0.0		
t <sub>HEXT</sub>	Input Latch External Hold	FO = 32	7.0		7.0		7.0		ns
		FO = 256	11.2		11.2		11.2		
t <sub>P</sub>	Minimum Period	FO = 32	9.6		11.2		13.3		ns
		FO = 256	10.6		12.6		15.3		
f <sub>MAX</sub>	Maximum Frequency	FO = 32		105.0		90.0		75.0	ns
		FO = 256		95.0		80.0		65.0	

*Note:* \*These parameters should be used for estimating device performance. Optimization techniques may further reduce delays by 0 to 4 ns. Routing delays are for typical designs across worst-case operating conditions. Post-route timing analysis or simulation is required to determine actual worst-case performance. Post-route timing is based on actual routing delay measurements performed on the device prior to shipment.

## A1280A Timing Characteristics (continued)

**Table 2-20 • A1280A Worst-Case Commercial Conditions, VCC = 4.75 V, T<sub>J</sub> = 70°C**

TTL Output Module Timing <sup>1</sup>		-2 Speed		-1 Speed		Std. Speed		Units
		Min.	Max.	Min.	Max.	Min.	Max.	
t <sub>DLH</sub>	Data to Pad High		8.1		9.0		10.6	ns
t <sub>DHL</sub>	Data to Pad Low		10.2		11.4		13.4	ns
t <sub>ENZH</sub>	Enable Pad Z to High		9.0		10.0		11.8	ns
t <sub>ENZL</sub>	Enable Pad Z to Low		11.8		13.2		15.5	ns
t <sub>ENHZ</sub>	Enable Pad High to Z		7.1		8.0		9.4	ns
t <sub>ENLZ</sub>	Enable Pad Low to Z		8.4		9.5		11.1	ns
t <sub>GLH</sub>	G to Pad High		9.0		10.2		11.9	ns
t <sub>GHL</sub>	G to Pad Low		11.3		12.7		14.9	ns
d <sub>TLH</sub>	Delta Low to High		0.07		0.08		0.09	ns/pF
d <sub>THL</sub>	Delta High to Low		0.12		0.13		0.16	ns/pF
CMOS Output Module Timing <sup>1</sup>								
t <sub>DLH</sub>	Data to Pad High		10.3		11.5		13.5	ns
t <sub>DHL</sub>	Data to Pad Low		8.5		9.6		11.2	ns
t <sub>ENZH</sub>	Enable Pad Z to High		9.0		10.0		11.8	ns
t <sub>ENZL</sub>	Enable Pad Z to Low		11.8		13.2		15.5	ns
t <sub>ENHZ</sub>	Enable Pad High to Z		7.1		8.0		9.4	ns
t <sub>ENLZ</sub>	Enable Pad Low to Z		8.4		9.5		11.1	ns
t <sub>GLH</sub>	G to Pad High		9.0		10.2		11.9	ns
t <sub>GHL</sub>	G to Pad Low		11.3		12.7		14.9	ns
d <sub>TLH</sub>	Delta Low to High		0.12		0.13		0.16	ns/pF
d <sub>THL</sub>	Delta High to Low		0.09		0.10		0.12	ns/pF

**Notes:**

1. Delays based on 50 pF loading.
2. SSO information can be found at [www.microsemi.com/soc/techdocs/appnotes/board\\_consideration.aspx](http://www.microsemi.com/soc/techdocs/appnotes/board_consideration.aspx).

## Pin Descriptions

**CLKA            Clock A (Input)**

TTL Clock input for clock distribution networks. The Clock input is buffered prior to clocking the logic modules. This pin can also be used as an I/O.

**CLKB            Clock B (Input)**

TTL Clock input for clock distribution networks. The Clock input is buffered prior to clocking the logic modules. This pin can also be used as an I/O.

**DCLK            Diagnostic Clock (Input)**

TTL Clock input for diagnostic probe and device programming. DCLK is active when the MODE pin is High. This pin functions as an I/O when the MODE pin is Low.

**GND            Ground**

Low supply voltage.

**I/O            Input/Output (Input, Output)**

The I/O pin functions as an input, output, three-state, or bidirectional buffer. Input and output levels are compatible with standard TTL and CMOS specifications. Unused I/O pins are automatically driven Low by the ALS software.

**MODE            Mode (Input)**

The MODE pin controls the use of multifunction pins (DCLK, PRA, PRB, SDI). When the MODE pin is High, the special functions are active. When the MODE pin is Low, the pins function as I/Os. To provide Actionprobe capability, the MODE pin should be terminated to GND through a 10K resistor so that the MODE pin can be pulled High when required.

**NC            No Connection**

This pin is not connected to circuitry within the device.

**PRA            Probe A (Output)**

The Probe A pin is used to output data from any user-defined design node within the device. This independent diagnostic pin can be used in conjunction with the Probe B pin to allow real-time diagnostic output of any signal path within the device. The Probe A pin can be used as a user-defined I/O when debugging has been completed. The pin's probe capabilities can be permanently disabled to protect programmed design confidentiality. PRA is active when the MODE pin is High. This pin functions as an I/O when the MODE pin is Low.

**PRB            Probe B (Output)**

The Probe B pin is used to output data from any user-defined design node within the device. This independent diagnostic pin can be used in conjunction with the Probe A pin to allow real-time diagnostic output of any signal path within the device. The Probe B pin can be used as a user-defined I/O when debugging has been completed. The pin's probe capabilities can be permanently disabled to protect programmed design confidentiality. PRB is active when the MODE pin is High. This pin functions as an I/O when the MODE pin is Low.

**SDI            Serial Data Input (Input)**

Serial data input for diagnostic probe and device programming. SDI is active when the MODE pin is High. This pin functions as an I/O when the MODE pin is Low.

**SDO            Serial Data Output (Output)**

Serial data output for diagnostic probe. SDO is active when the MODE pin is High. This pin functions as an I/O when the MODE pin is Low.

**VCC            5.0 V Supply Voltage**

High supply voltage.



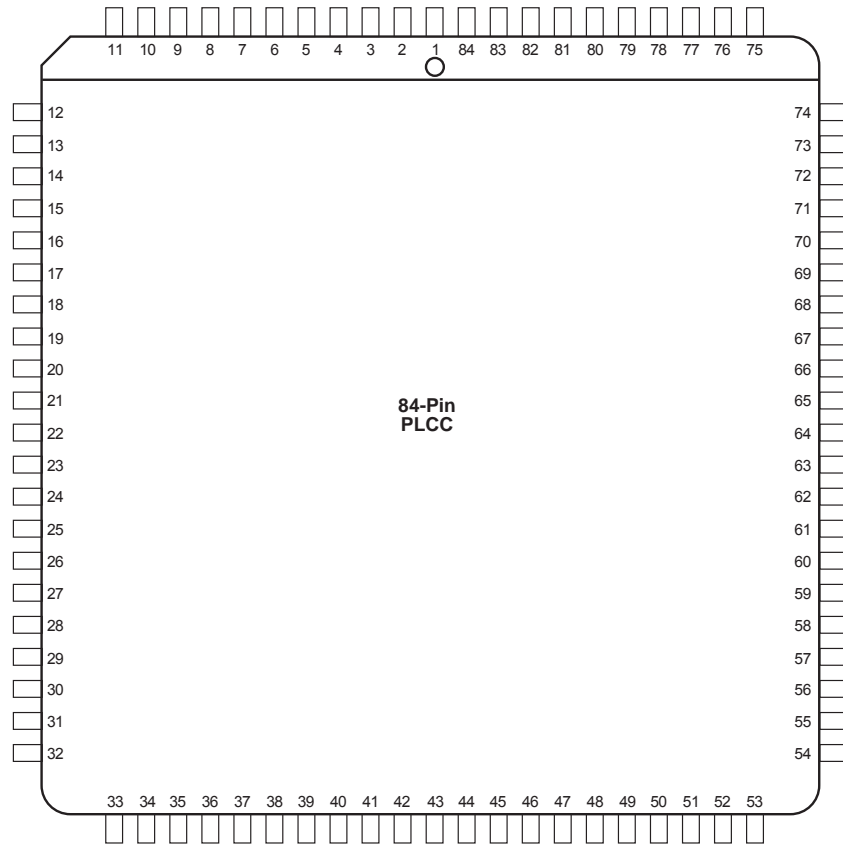
---

## 3 – Package Pin Assignments

---

### PL84

---



---

#### **Note**

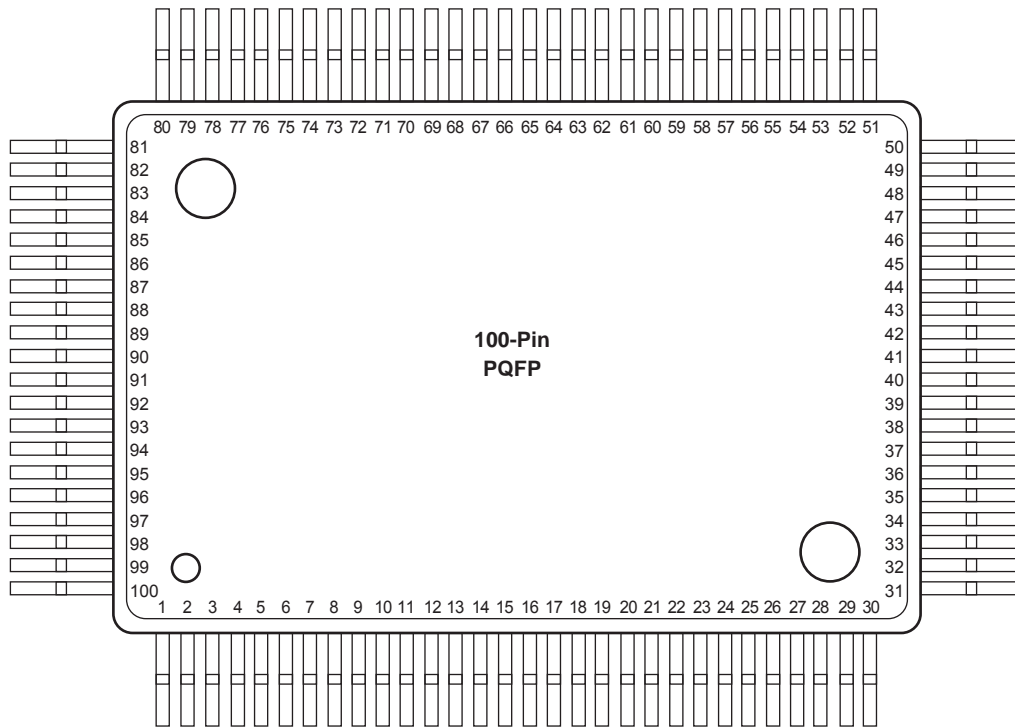
For Package Manufacturing and Environmental information, visit the Resource Center at <http://www.microsemi.com/soc/products/solutions/package/docs.aspx>.

<b>PL84</b>			
<b>Pin Number</b>	<b>A1225A Function</b>	<b>A1240A Function</b>	<b>A1280A Function</b>
2	CLKB, I/O	CLKB, I/O	CLKB, I/O
4	PRB, I/O	PRB, I/O	PRB, I/O
6	GND	GND	GND
10	DCLK, I/O	DCLK, I/O	DCLK, I/O
12	MODE	MODE	MODE
22	VCC	VCC	VCC
23	VCC	VCC	VCC
28	GND	GND	GND
43	VCC	VCC	VCC
49	GND	GND	GND
52	SDO	SDO	SDO
63	GND	GND	GND
64	VCC	VCC	VCC
65	VCC	VCC	VCC
70	GND	GND	GND
76	SDI, I/O	SDI, I/O	SDI, I/O
81	PRA, I/O	PRA, I/O	PRA, I/O
83	CLKA, I/O	CLKA, I/O	CLKA, I/O
84	VCC	VCC	VCC

*Notes:*

1. All unlisted pin numbers are user I/Os.
2. MODE pin should be terminated to GND through a 10K resistor to enable Actionprobe usage; otherwise it can be terminated directly to GND.

## PQ100



### Note

For Package Manufacturing and Environmental information, visit the Resource Center at <http://www.microsemi.com/soc/products/solutions/package/docs.aspx>

PQ100	
Pin Number	A1225A Function
2	DCLK, I/O
4	MODE
9	GND
16	VCC
17	VCC
22	GND
34	GND
40	VCC
46	GND
52	SDO
57	GND
64	GND

PQ100	
Pin Number	A1225A Function
65	VCC
66	VCC
67	VCC
72	GND
79	SDI, I/O
84	GND
87	PRA, I/O
89	CLKA, I/O
90	VCC
92	CLKB, I/O
94	PRB, I/O
96	GND

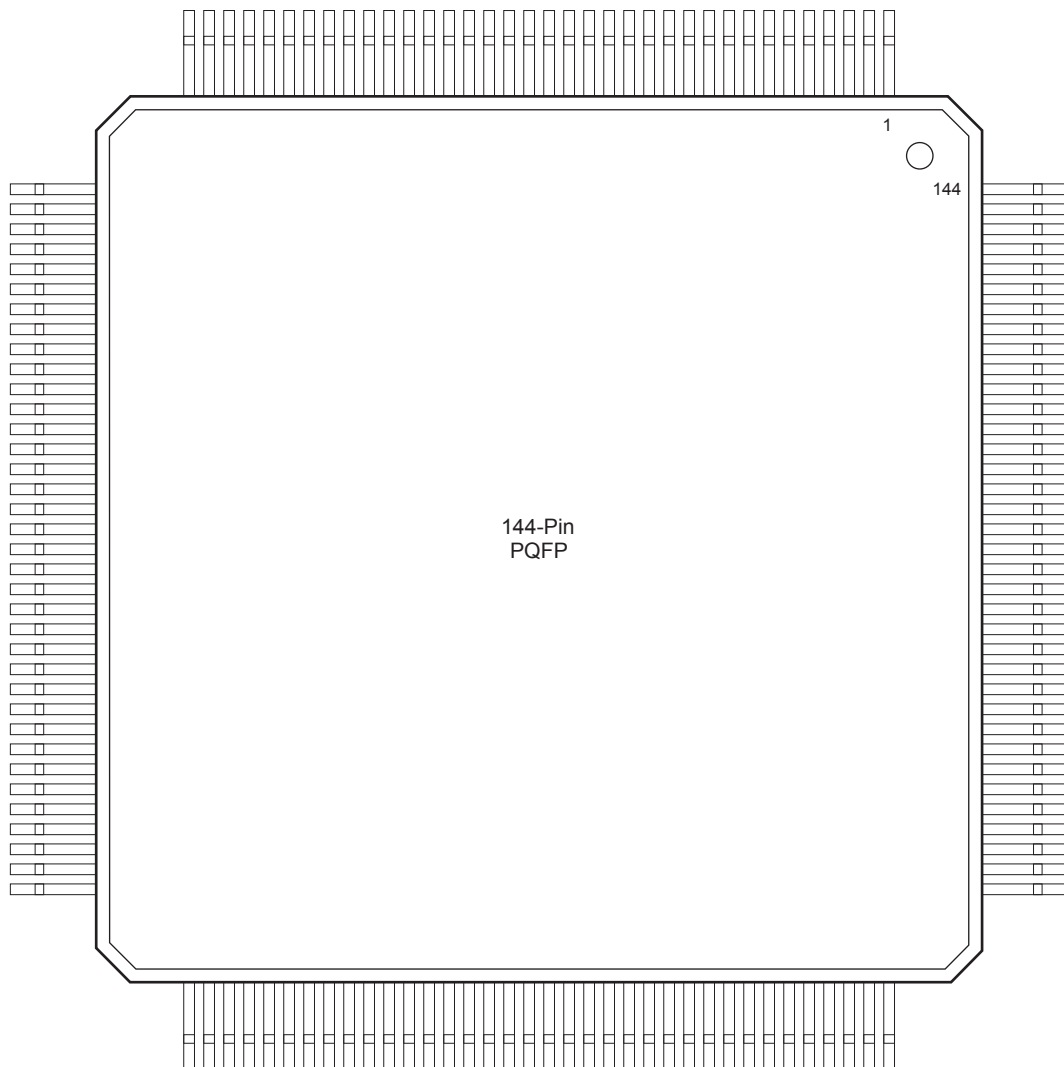
*Notes:*

1. All unlisted pin numbers are user I/Os.
2. MODE pin should be terminated to GND through a 10K resistor to enable Actionprobe usage; otherwise it can be terminated directly to GND.



## PQ144

---



---

### **Note**

For Package Manufacturing and Environmental information, visit the Resource Center at <http://www.microsemi.com/soc/products/solutions/package/docs.aspx>

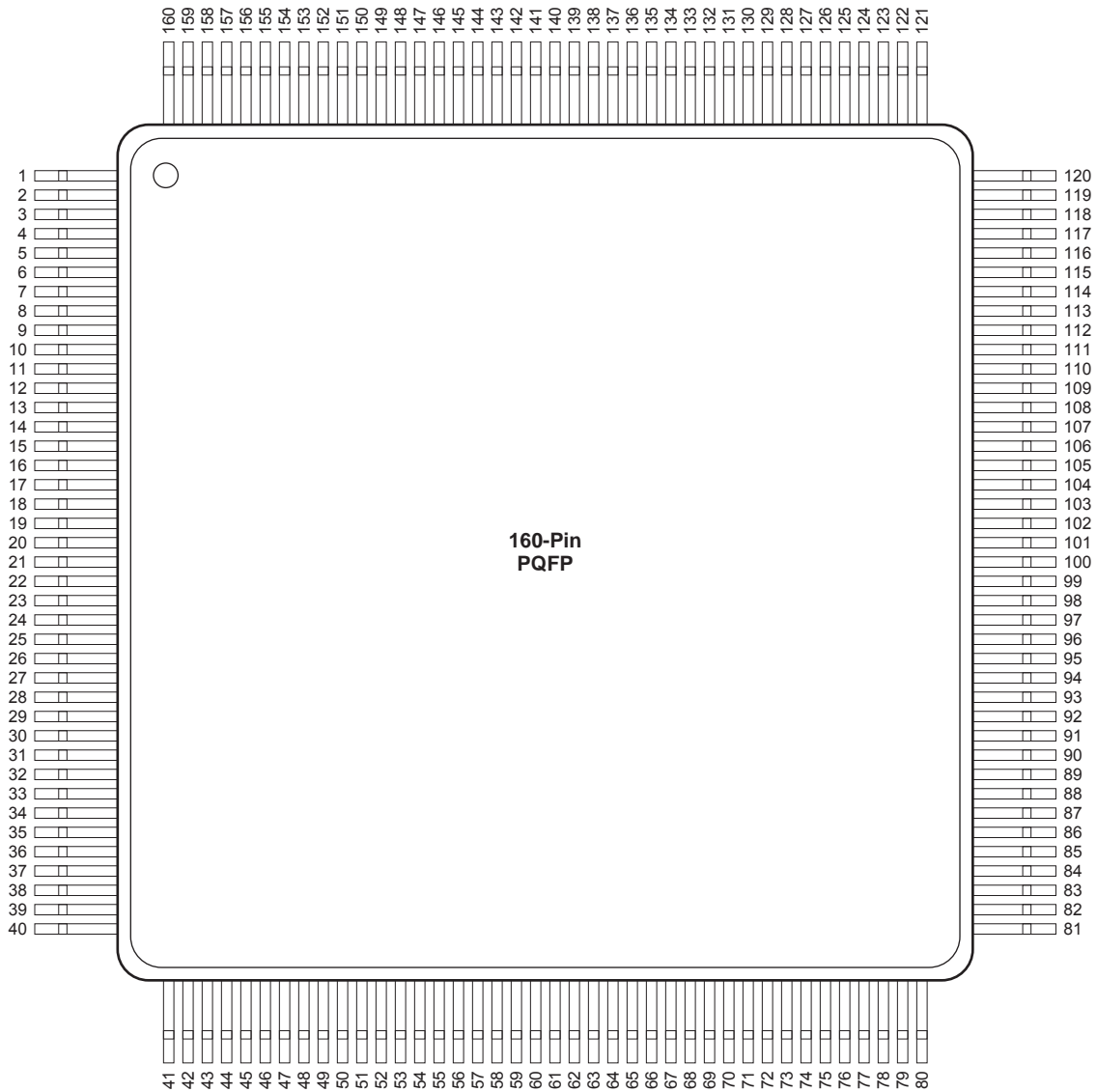
PQ144	
Pin Number	A1240A Function
2	MODE
9	GND
10	GND
11	GND
18	VCC
19	VCC
20	VCC
21	VCC
28	GND
29	GND
30	GND
44	GND
45	GND
46	GND
54	VCC
55	VCC
56	VCC
64	GND
65	GND
71	SDO
79	GND
80	GND
81	GND
88	GND

PQ144	
Pin Number	A1240A Function
89	VCC
90	VCC
91	VCC
92	VCC
93	VCC
100	GND
101	GND
102	GND
110	SDI, I/O
116	GND
117	GND
118	GND
123	PRA, I/O
125	CLKA, I/O
126	VCC
127	VCC
128	VCC
130	CLKB, I/O
132	PRB, I/O
136	GND
137	GND
138	GND
144	DCLK, I/O

*Notes:*

1. All unlisted pin numbers are user I/Os.
2. MODE pin should be terminated to GND through a 10K resistor to enable Actionprobe usage; otherwise it can be terminated directly to GND.

# PQ160



*Note:* This is the top view of the package

## Note

For Package Manufacturing and Environmental information, visit the Resource Center at <http://www.microsemi.com/soc/products/solutions/package/docs.aspx>

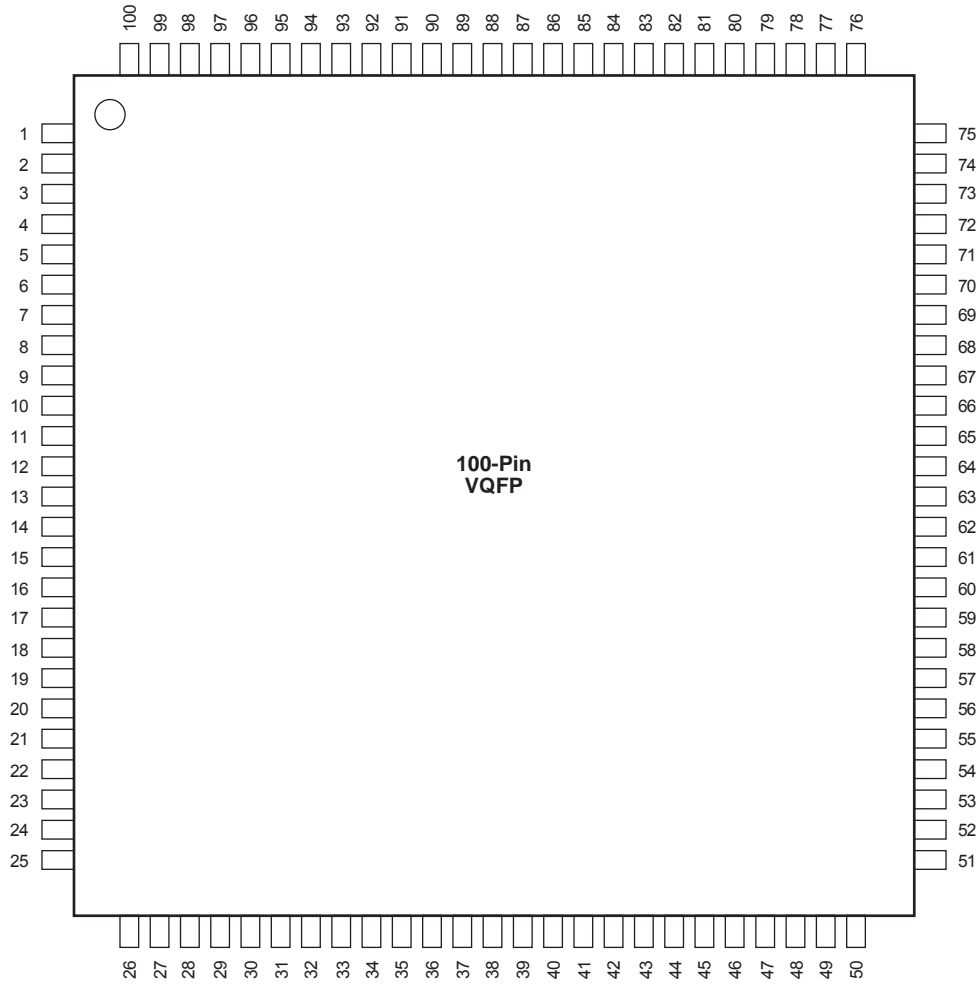
PQ160	
Pin Number	A1280A Function
2	DCLK, I/O
6	VCC
11	GND
16	PRB, I/O
18	CLKB, I/O
20	VCC
21	CLKA, I/O
23	PRA, I/O
30	GND
35	VCC
38	SDI, I/O
40	GND
44	GND
49	GND
54	VCC
57	VCC
58	VCC
59	GND
60	VCC
61	GND
64	GND

PQ160	
Pin Number	A1280A Function
69	GND
80	GND
82	SDO
86	VCC
89	GN
98	GND
99	GND
109	GND
114	VCC
120	GND
125	GND
130	GND
135	VCC
138	VCC
139	VCC
140	GND
145	GND
150	VCC
155	GND
159	MODE
160	GND

*Notes:*

1. All unlisted pin numbers are user I/Os.
2. MODE pin should be terminated to GND through a 10K resistor to enable Actionprobe usage; otherwise it can be terminated directly to GND.

## VQ100



### Note

For Package Manufacturing and Environmental information, visit the Resource Center at <http://www.microsemi.com/soc/products/solutions/package/docs.aspx>

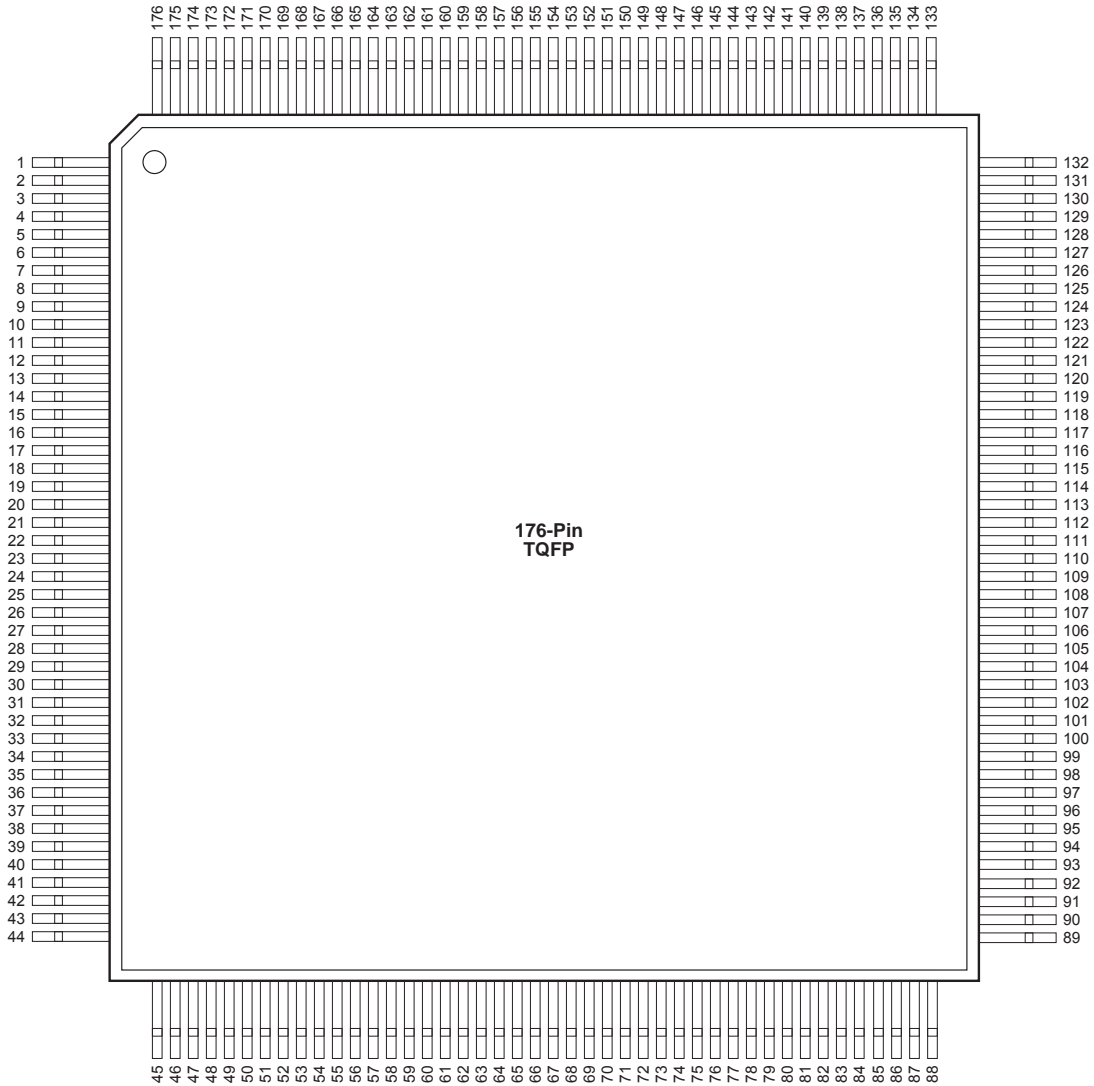
VQ100	
Pin Number	A1225A Function
2	MODE
7	GND
14	VCC
15	VCC
20	GND
32	GND
38	VCC
44	GND
50	SDO
55	GND
62	GND
63	VCC

VQ100	
Pin Number	A1225A Function
64	VCC
65	VCC
70	GND
77	SDI, I/O
82	GND
85	PRA, I/O
87	CLKA, I/O
88	VCC
90	CLKB, I/O
92	PRB, I/O
94	GND
100	DCLK, I/O

*Notes:*

1. All unlisted pin numbers are user I/Os.
2. MODE pin should be terminated to GND through a 10K resistor to enable Actionprobe usage; otherwise it can be terminated directly to GND.

# TQ176



## Note

For Package Manufacturing and Environmental information, visit the Resource Center at <http://www.microsemi.com/soc/products/solutions/package/docs.aspx>

TQ176		
Pin Number	A1240A Function	A1280A Function
1	GND	GND
2	MODE	MODE
8	NC	NC
10	NC	I/O
11	NC	I/O
13	NC	VCC
18	GND	GND
19	NC	I/O
20	NC	I/O
22	NC	I/O
23	GND	GND
24	NC	VCC
25	VCC	VCC
26	NC	I/O
27	NC	I/O
28	VCC	VCC
29	NC	I/O
33	NC	NC
37	NC	I/O
38	NC	NC
45	GND	GND
52	NC	VCC
54	NC	I/O
55	NC	I/O
57	NC	NC
61	NC	I/O
64	NC	I/O
66	NC	I/O
67	GND	GND
68	VCC	VCC
74	NC	I/O
77	NC	NC
78	NC	I/O
80	NC	I/O

TQ176		
Pin Number	A1240A Function	A1280A Function
82	NC	VCC
86	NC	I/O
87	SDO	SDO
89	GND	GND
96	NC	I/O
97	NC	I/O
101	NC	NC
103	NC	I/O
106	GND	GND
107	NC	I/O
108	NC	I/O
109	GND	GND
110	VCC	VCC
111	GND	GND
112	VCC	VCC
113	VCC	VCC
114	NC	I/O
115	NC	I/O
116	NC	VCC
121	NC	NC
124	NC	I/O
125	NC	I/O
126	NC	NC
133	GND	GND
135	SDI, I/O	SDI, I/O
136	NC	I/O
140	NC	VCC
143	NC	I/O
144	NC	I/O
145	NC	NC
147	NC	I/O
151	NC	I/O
152	PRA, I/O	PRA, I/O
154	CLKA, I/O	CLKA, I/O



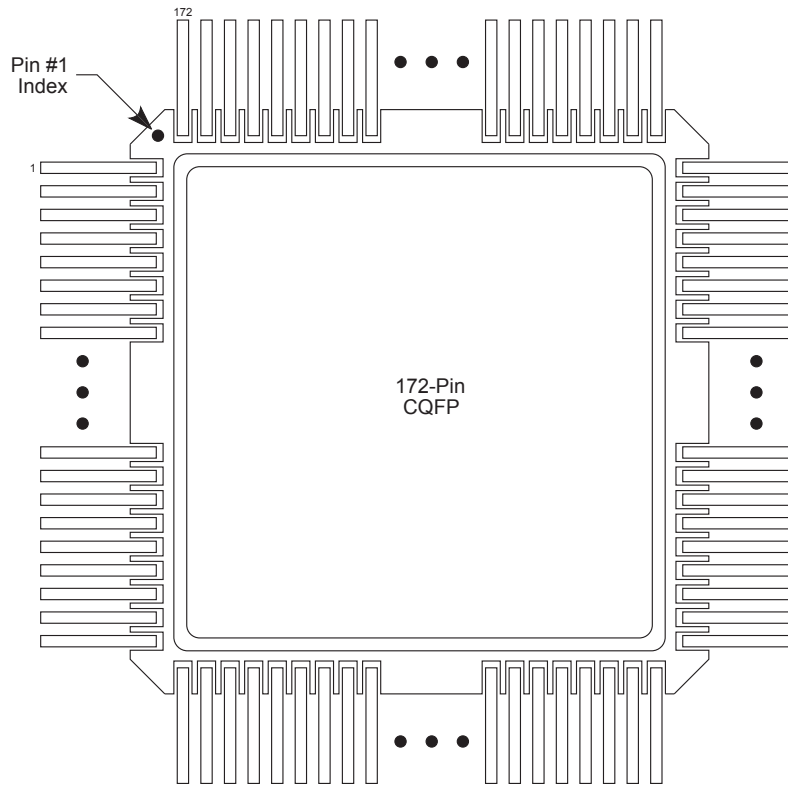
TQ176		
Pin Number	A1240A Function	A1280A Function
155	VCC	VCC
156	GND	GND
158	CLKB, I/O	CLKB, I/O
160	PRB, I/O	PRB, I/O
161	NC	I/O
165	NC	NC
166	NC	I/O
168	NC	I/O
170	NC	VCC
173	NC	I/O
175	DCLK, I/O	DCLK, I/O

*Notes:*

1. NC denotes no connection.
2. All unlisted pin numbers are user I/Os.
3. MODE pin should be terminated to GND through a 10K resistor to enable Actionprobe usage; otherwise it can be terminated directly to GND.

## CQ172

---



---

### **Note**

For Package Manufacturing and Environmental information, visit the Resource Center at <http://www.microsemi.com/soc/products/solutions/package/docs.aspx>

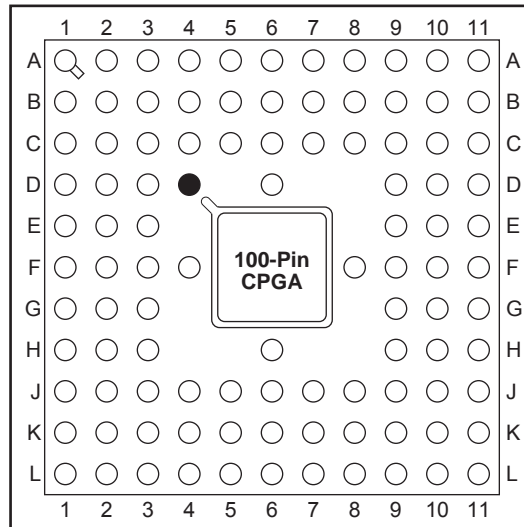
CQ172	
Pin Number	A1280A Function
1	MODE
7	GND
12	VCC
17	GND
22	GND
23	VCC
24	VCC
27	VCC
32	GND
37	GND
50	VCC
55	GND
65	GND
66	VCC
75	GND
80	VCC
85	SDO
98	GND
103	GND
106	GND

CQ172	
Pin Number	A1280A Function
107	VCC
108	GND
109	VCC
110	VCC
113	VCC
118	GND
123	GND
131	SDI, I/O
136	VCC
141	GND
148	PRA, I/O
150	CLKA, I/O
151	VCC
152	GND
154	CLKB, I/O
156	PRB, I/O
161	GND
166	VCC
171	DCLK, I/O

*Notes:*

1. All unlisted pin numbers are user I/Os.
2. MODE pin should be terminated to GND through a 10K resistor to enable Actionprobe usage; otherwise it can be terminated directly to GND.

## PG100



● Orientation Pin

### Note

For Package Manufacturing and Environmental information, visit the Resource Center at <http://www.microsemi.com/soc/products/solutions/package/docs.aspx>

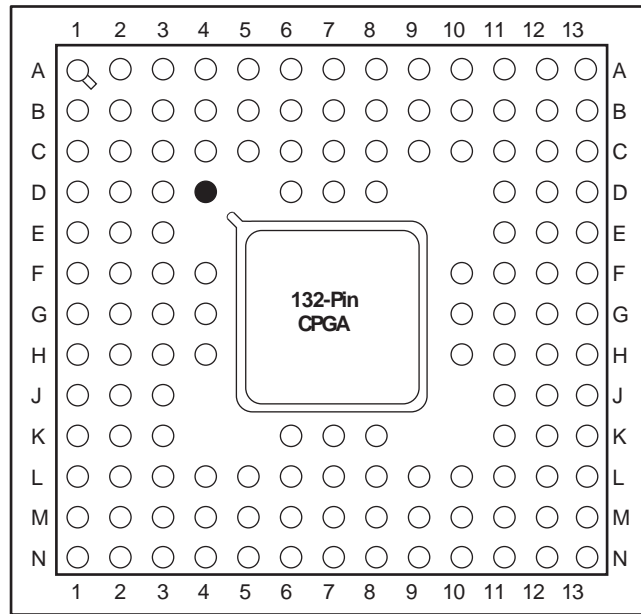
PG100	
Pin Number	A1225A Function
A4	PRB, I/O
A7	PRA, I/O
B6	VCC
C2	MODE
C3	DCLK, I/O
C5	GND
C6	CLKA, I/O
C7	GND
C8	SDI, I/O
D6	CLKB, I/O
D10	GND
E3	GND

PG100	
Pin Number	A1225A Function
E11	VCC
F3	VCC
F9	VCC
F10	VCC
F11	GND
G1	VCC
G3	GND
G9	GND
J5	GND
J7	GND
J9	SDO
K6	VCC

*Notes:*

1. All unlisted pin numbers are user I/Os.
2. MODE pin should be terminated to GND through a 10K resistor to enable Actionprobe usage; otherwise it can be terminated directly to GND.

## PG132



● Orientation Pin

### Note

For Package Manufacturing and Environmental information, visit the Resource Center at <http://www.microsemi.com/soc/products/solutions/package/docs.aspx>

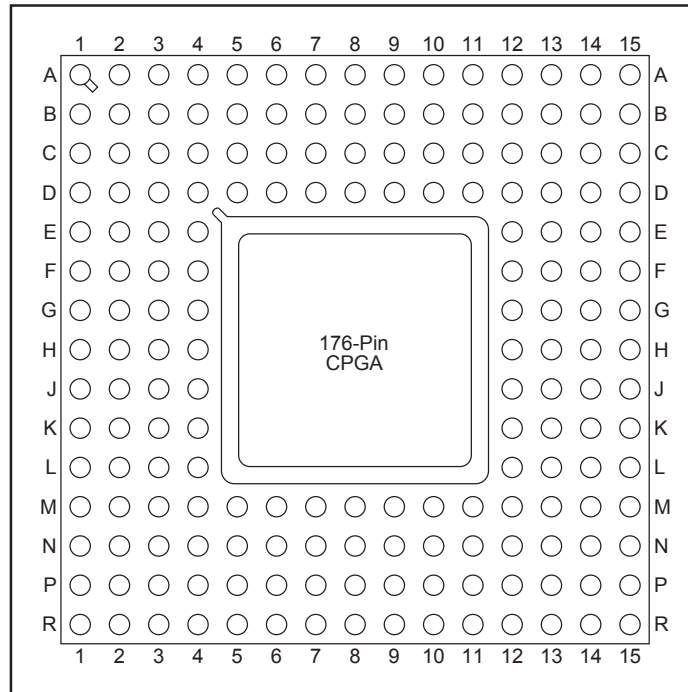
PG132	
Pin Number	A1240A Function
A1	MODE
B5	GND
B6	CLKB, I/O
B7	CLKA, I/O
B8	PRA, I/O
B9	GND
B12	SDI, I/O
C3	DCLK, I/O
C5	GND
C6	PRB, I/O
C7	VCC
C9	GND
D7	VCC
E3	GND
E11	GND
E12	GND
F4	GND
G2	VCC

PG132	
Pin Number	A1240A Function
G3	VCC
G4	VCC
G10	VCC
G11	VCC
G12	VCC
G13	VCC
H13	GND
J2	GND
J3	GND
J11	GND
K7	VCC
K12	GND
L5	GND
L7	VCC
L9	GND
M9	GND
N12	SDO

*Notes:*

1. All unlisted pin numbers are user I/Os.
2. MODE pin should be terminated to GND through a 10K resistor to enable Actionprobe usage; otherwise it can be terminated directly to GND.

## PG176



### Note

For Package Manufacturing and Environmental information, visit the Resource Center at <http://www.microsemi.com/soc/products/solutions/package/docs.aspx>



PG176	
Pin Number	A1280A Function
A9	CLKA, I/O
B3	DCLK, I/O
B8	CLKB, I/O
B14	SDI, I/O
C3	MODE
C8	GND
C9	PRA, I/O
D4	GND
D5	VCC
D6	GND
D7	PRB, I/O
D8	VCC
D10	GND
D11	VCC
D12	GND
E4	GND
E12	GND
F4	VCC
F12	GND
G4	GND
G12	VCC
H2	VCC

PG176	
Pin Number	A1280A Function
H3	VCC
H4	GND
H12	GND
H13	VCC
H14	VCC
J4	VCC
J12	GND
J13	GND
J14	VCC
K4	GND
K12	GND
L4	GND
M4	GND
M5	VCC
M6	GND
M8	GND
M10	GND
M11	VCC
M12	GND
N8	VCC
P13	SDO

*Notes:*

1. All unlisted pin numbers are user I/Os.
2. MODE pin should be terminated to GND through a 10K resistor to enable Actionprobe usage; otherwise it can be terminated directly to GND.



---

## 4 – Datasheet Information

---

### List of Changes

The following table lists critical changes that were made in each version of the datasheet.

Revision	Changes	Page
Revision 8 (January 2012)	The ACT 2 datasheet was formatted newly in the style used for current datasheets. The same information is present (other than noted in the list of changes for this revision) but divided into chapters.	N/A
	Package names used in <a href="#">Table 1 • ACT 2 Product Family Profile</a> and throughout the document were revised to match standards given in <a href="#">Package Mechanical Drawings</a> (SAR 27395).	I
	The description for SDO pins had earlier been removed from the datasheet and has now been included again, in the <a href="#">"Pin Descriptions" section</a> (SAR 35819).	2-21
	SDO pin numbers had earlier been removed from package pin assignment tables in the datasheet, and have now been restored to the pin tables (SAR 35819).	3-2
Revision 7 (June 2006)	The <a href="#">"Ordering Information" section</a> was revised to include RoHS information.	II
Revision 6 (December 2000)	In the <a href="#">"PG176"</a> package, pin A3 was incorrectly assigned as CLKA, I/O. A3 is a user I/O. Pin A9 is CLKA, I/O.	3-21

## Datasheet Categories

### **Categories**

In order to provide the latest information to designers, some datasheet parameters are published before data has been fully characterized from silicon devices. The data provided for a given device is designated as either "Product Brief," "Advance," "Preliminary," or "Production." The definitions of these categories are as follows:

#### **Product Brief**

The product brief is a summarized version of a datasheet (advance or production) and contains general product information. This document gives an overview of specific device and family information.

#### **Advance**

This version contains initial estimated information based on simulation, other products, devices, or speed grades. This information can be used as estimates, but not for production. This label only applies to the DC and Switching Characteristics chapter of the datasheet and will only be used when the data has not been fully characterized.

#### **Preliminary**

The datasheet contains information based on simulation and/or initial characterization. The information is believed to be correct, but changes are possible.

#### **Production**

This version contains information that is considered to be final.

### **Export Administration Regulations (EAR)**

The products described in this document are subject to the Export Administration Regulations (EAR). They could require an approved export license prior to export from the United States. An export includes release of product or disclosure of technology to a foreign national inside or outside the United States.

## **Safety Critical, Life Support, and High-Reliability Applications Policy**

The products described in this advance status document may not have completed the Microsemi qualification process. Products may be amended or enhanced during the product introduction and qualification process, resulting in changes in device functionality or performance. It is the responsibility of each customer to ensure the fitness of any product (but especially a new product) for a particular purpose, including appropriateness for safety-critical, life-support, and other high-reliability applications. Consult the Microsemi SoC Products Group Terms and Conditions for specific liability exclusions relating to life-support applications. A reliability report covering all of the SoC Products Group's products is available at [http://www.microsemi.com/soc/documents/ORT\\_Report.pdf](http://www.microsemi.com/soc/documents/ORT_Report.pdf). Microsemi also offers a variety of enhanced qualification and lot acceptance screening procedures. Contact your local sales office for additional reliability information.





**Microsemi Corporate Headquarters**  
One Enterprise, Aliso Viejo CA 92656 USA  
Within the USA: +1 (949) 380-6100  
Sales: +1 (949) 380-6136  
Fax: +1 (949) 215-4996

Microsemi Corporation (NASDAQ: MSCC) offers a comprehensive portfolio of semiconductor solutions for: aerospace, defense and security; enterprise and communications; and industrial and alternative energy markets. Products include high-performance, high-reliability analog and RF devices, mixed signal and RF integrated circuits, customizable SoCs, FPGAs, and complete subsystems. Microsemi is headquartered in Aliso Viejo, Calif. Learn more at [www.microsemi.com](http://www.microsemi.com).

© 2012 Microsemi Corporation. All rights reserved. Microsemi and the Microsemi logo are trademarks of Microsemi Corporation. All other trademarks and service marks are the property of their respective owners.