

# Speaker - Mylar Cone

pro-SIGNAL



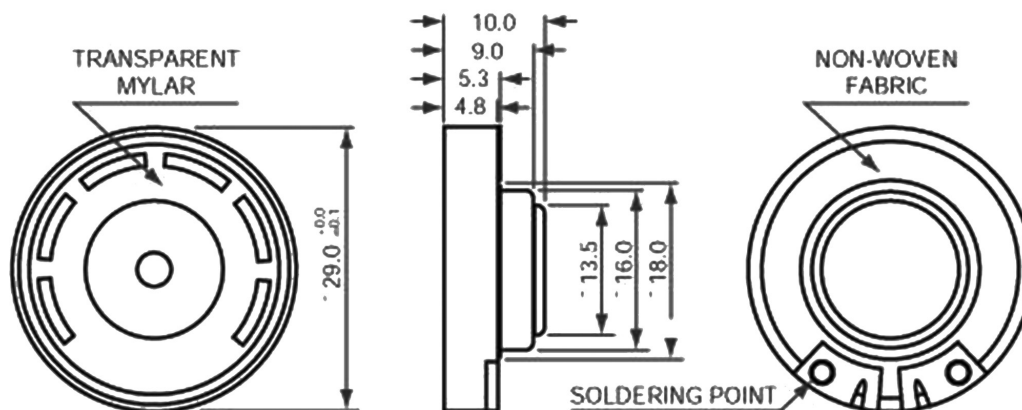
## Features:

- Small size
- Very low profile
- Broad frequency range
- High reliability

## Specifications:

Transducer Function	: Speaker
Rated Input	: 0.1W
Maximum Input	: 0.2W
Frequency Range	: 750Hz to 4,000Hz
Impedance	: 8 +/- 15%Ω
External Diameter	: 29mm
External Height	: 5mm
Operating Temperature Range	: -20°C to +60°C
Case	: ABS, Black
Weight	: 0.282oz. (8g)
Mylar cone	

## Mechanical



Dimensions : Millimetres

Tolerance : ±0.5

[www.element14.com](http://www.element14.com)  
[www.farnell.com](http://www.farnell.com)  
[www.newark.com](http://www.newark.com)  
[www.cpc.co.uk](http://www.cpc.co.uk)

pro-SIGNAL