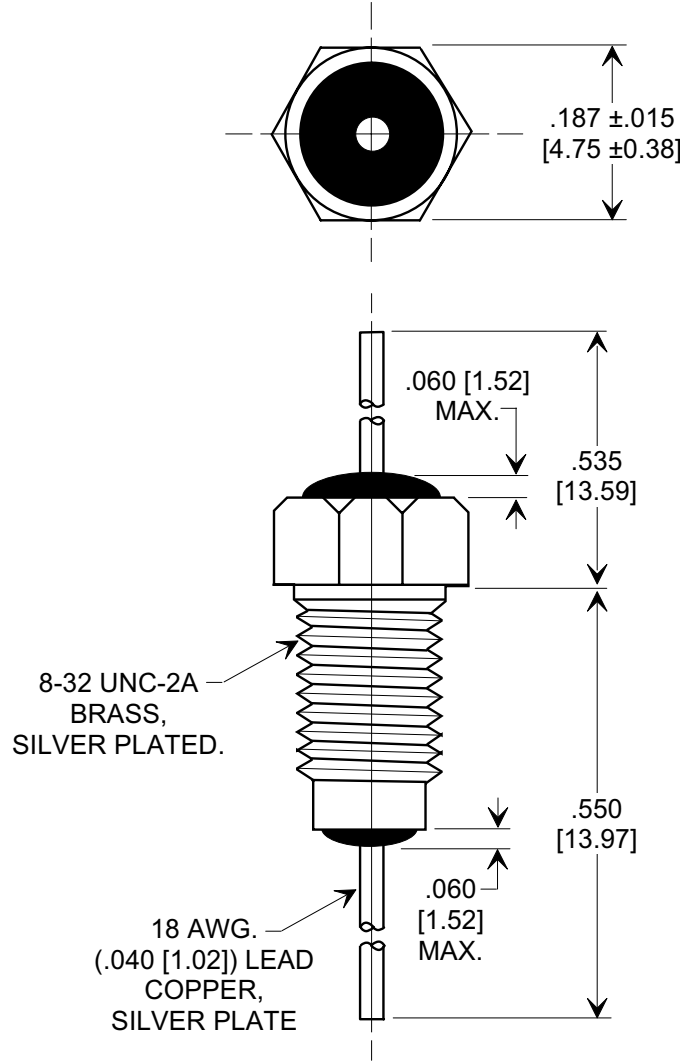
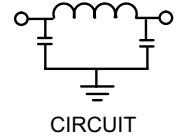
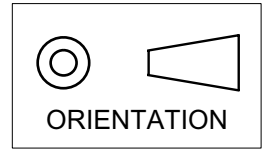


MARKETING SALES DRAWING

DIMENSIONS IN INCHES - DO NOT SCALE THIS DRAWING
DIMENSIONS IN METRIC - []

Electrical Testing
 per Tusonix standard
 test plans and Mil-Std-202
 Test Methods.



NOTES:

1. SUPPLIED WITH SILVER PLATED HEX NUT AND LOCKWASHER.
2. TUSONIX STANDARD PART NUMBER: 4201-028.
 TUSONIX RoHS COMPLIANT PART NUMBER: 4201-028 LF.
 CUSTOMER MUST SPECIFY STANDARD OR RoHS PART NUMBER WHEN ORDERING.
3. PART MARKING: TRADEMARK AND VARIATION NUMBER ON HEX FLATS.
 STANDARD PART: BLACK INK. RoHS PART: GREEN INK.

MIN./ MAX. CAP. (pF)	WORKING VOLTAGE (WVdc)		CURRENT (Idc)	I.R. MIN. @ 100 (VDC.)	DWV (VDC)	MINIMUM NO LOAD INSERTION LOSS (dB) AT 25°C PER MIL-STD -220			
	85°C	125 °C				10 MHz	100 MHz	1 GHz	10 GHz
2500/ 4500	200	100	10A	10 G	400	5	45	65	70

X-2015 Rev-0 REVISION RECORD Original Release C.O. 961122-1 ADDED NOTES, CIRCUIT, I.R. DWV & METRIC. S.M. 07-27-05 20050726-2-16	0	--TOLERANCES-- Unless Otherwise Specified DECIMAL ± .031 [0.79] ANGLES ±	Title				
	EMI FILTER		Drawn	S.M. 11-22-96	Scale	5 X	
	TUSONIX TUCSON, ARIZONA		Approved	B.M. 11-22-96			
	A		4201-028				