

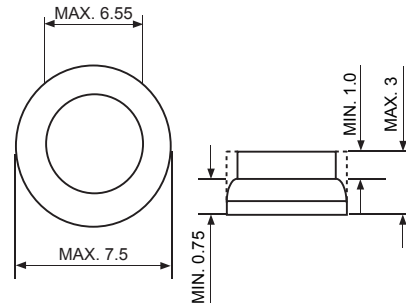
SCFR3518~3530

Descriptions



SOZA CELL

Mechanical Dimension



Dimensions in inches and (millimeters)

Features

- ★ Low forward voltage drop
- ★ High current capability
- ★ High reliability
- ★ High surge current capability

Mechanical Data

- ★ Case: OFC Heat Sink
- ★ Encap: Epoxy Sealed Rated
UL94V-0
- ★ Weight: 0.62gram

MAXIMUM RATINGS AND ELECTRICAL CHARACTERISTICS

Rating at 25°C ambient temperature unless otherwise specified.

| | SYMBOL | SCFR3518 | SCFR3520 | SCFR3530 | UNIT |
|---|----------|-------------|----------|----------|----------|
| Maximum Peak Repetitive Reverse Voltage@Irrm=100mA | VRRM | 19-24 | 24-32 | 34-45 | V |
| Maximum RMS Voltage | VRMS | 16 | 20 | 28 | V |
| Maximum DC Blocking Voltage(TA=25°C) | VB | 16 | 20 | 28 | V |
| Maximum Average Forward Current Io@Tc=150°C 60 Hz, resistive or inductive load | I(AV) | 35 | | | A |
| Peak Forward Surge Current, 8.3ms single Half sine-wave superimposed on rated load (JEDEC method) | IFSM | 400 | | | A |
| Maximum Inst. Forward Voltage Drop, IF at 80Amp | VF | 1.2 | | | V |
| Maximum DC Reverse Current (VB)@TJ=25°C At Rated DC Blocking Voltage (VB)@TJ=150°C | IR | 0.5 200 | | | uA uA |
| Operating Junction and Storage Temperature Range | TJ, TSTG | -65 to +175 | | | °C |

RATINGS AND CHARACTERISTIC CURVES SCFR3518 ~SCFR3530

FIG.1 - FORWARD CURRENT DERATING CURVE

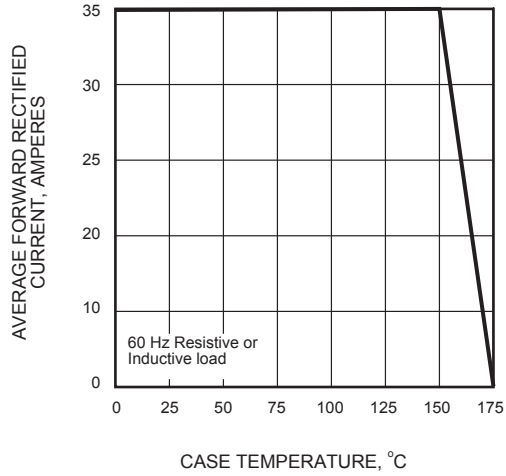


FIG.2 - MAXIMUM NON-REPETITIVE PEAK FORWARD SURGE CURRENT

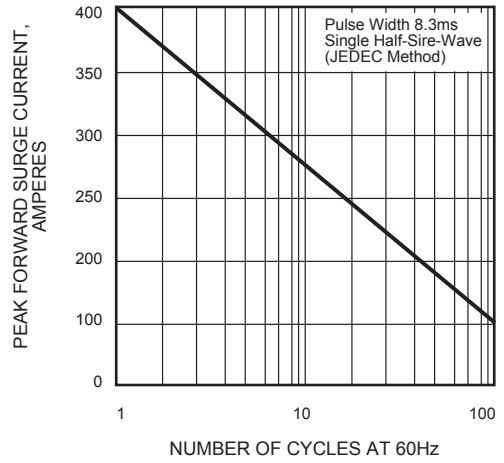


FIG.3 - TYPICAL INSTANTANEOUS FORWARD CHARACTERISTICS

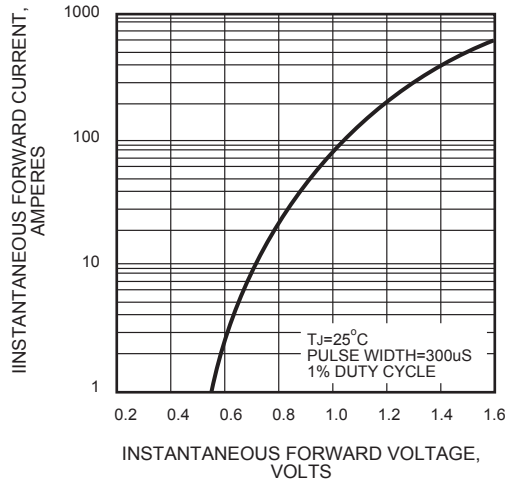


FIG.4 - TYPICAL REVERSE CHARACTERISTICS

