

4

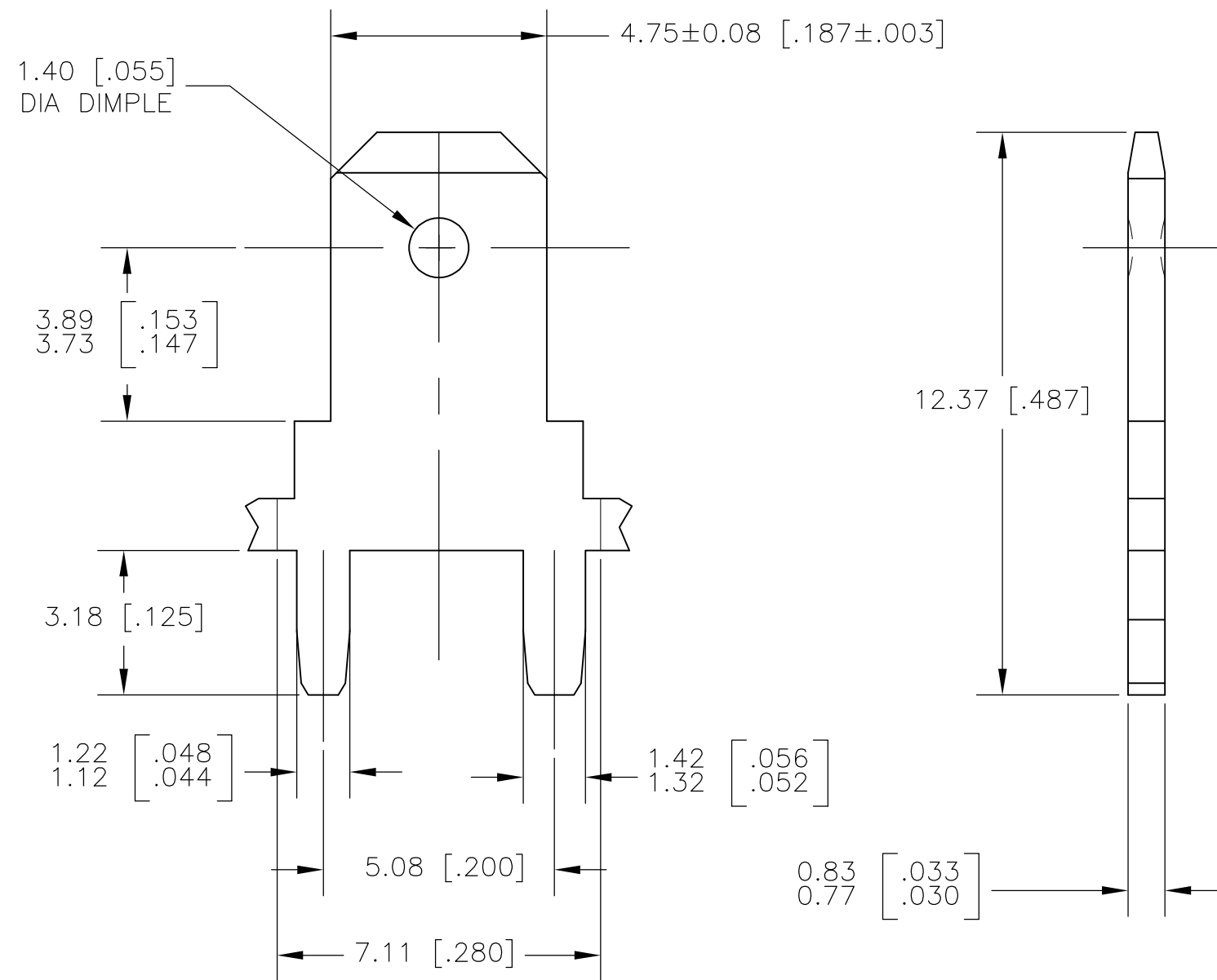
3

2

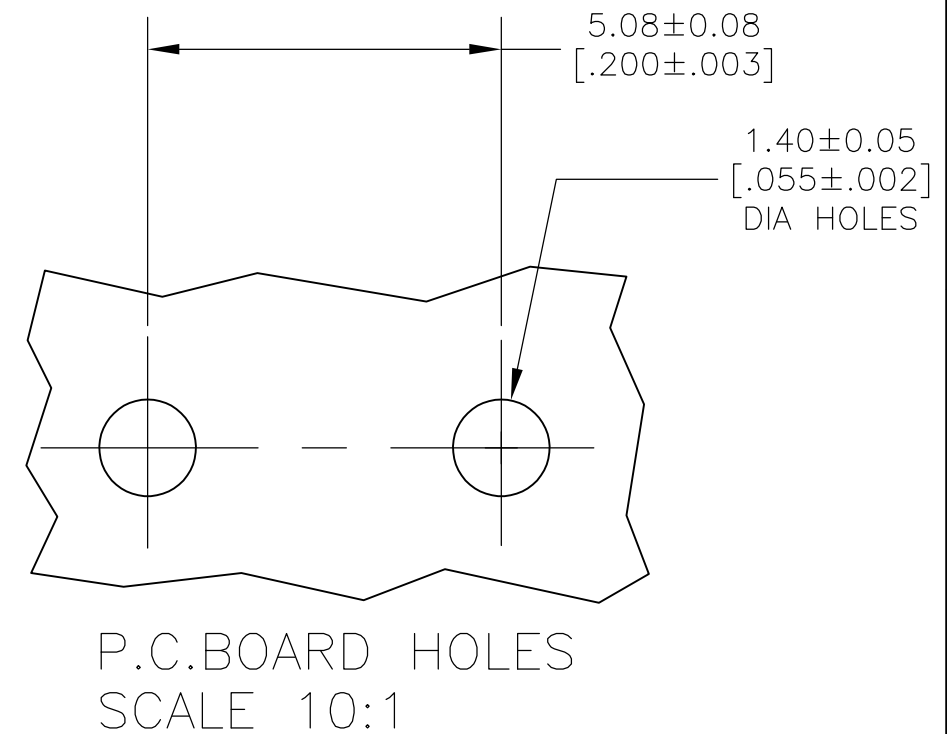
1

THIS DRAWING IS UNPUBLISHED. RELEASED FOR PUBLICATION - , - .
 © COPYRIGHT - By - ALL RIGHTS RESERVED.

LOC	DIST	REVISIONS				
P	LTR	DESCRIPTION	DATE	DWN	APVD	
AF	50	D1	REVISED PER ECO-11-004917	11MAR11	RK HMR	



1 CONTINUOUS STRIP ON REELS.
 △ 0.00381 [.000150] MIN TIN OVER
 0.00254 [.000100] MIN THK COPPER.



63525-1
 PART NUMBER

THIS DRAWING IS A CONTROLLED DOCUMENT.		DWN JR RUTH 30NOV00	TE Connectivity				
DIMENSIONS: mm[INCHES]		CHK MS FEHER 30NOV00					
TOLERANCES UNLESS OTHERWISE SPECIFIED:		APVD G PORTA 30NOV00	NAME				
0 PLC ± - 1 PLC ± - 2 PLC ± 0.25 [.010] 3 PLC ± - 4 PLC ± - ANGLES ± -		PRODUCT SPEC	TAB, FASTON, PC BOARD, 4.75 [.187] SERIES				
MATERIAL 082 BRASS		FINISH TIN OVER COPPER △	APPLICATION SPEC	SIZE A3	CAGE CODE 00779	DRAWING NO C-63525	RESTRICTED TO
CUSTOMER DRAWING			WEIGHT -	SCALE 8:1	SHEET 1 OF 1	REV D1	