

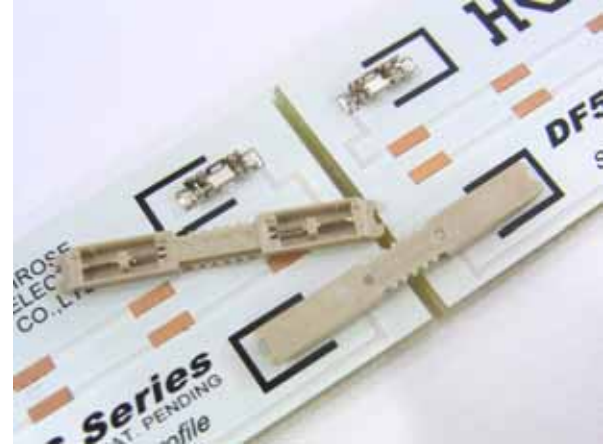


# DF59S Series

## 3-Way System Mono-Pole Connectors

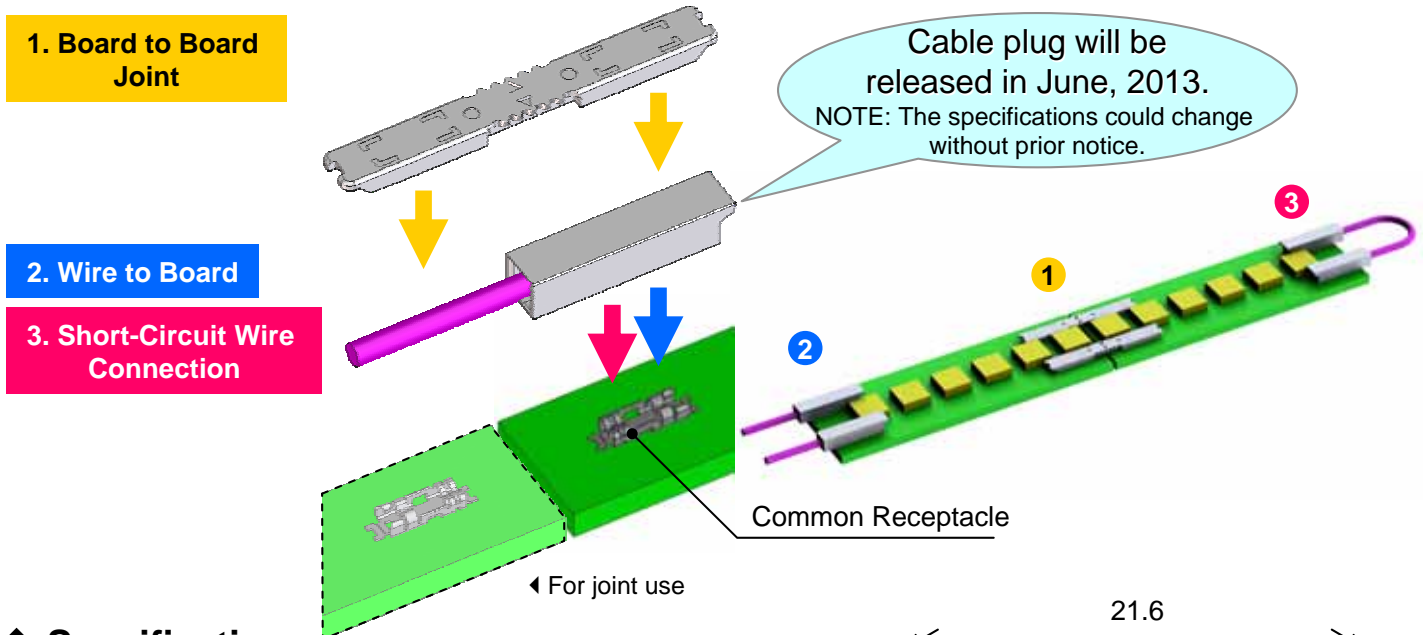
### ◆ Features

1. Slim fit & low profile mono-pole connector optimized for LED lighting applications
2. Board to Board Joint, Wire to Board and Short-Circuit Wire Connection with common receptacle (Wire to Board type is under development.)
3. Unique "Stress free contact" is provided for  $\pm 0.5$  mm floating function in X and Y directions and  $\pm 0.2$  mm in Z direction.
4. Moldless receptacle for slim depth
5. High current capability; 3 Amps
6. Under preparation for UL application
7. RoHS compliant, Halogen-free product\*



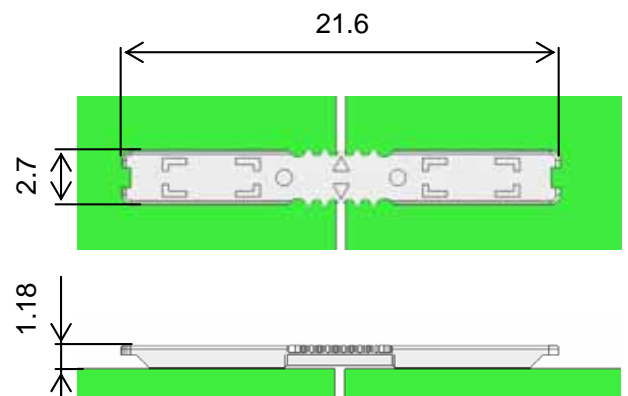
\*This product satisfies halogen free requirements defined as 900 ppm maximum chlorine, 900 ppm maximum bromine, and 1500 ppm maximum total of chlorine and bromine.

### ◆ Common receptacle for all 3 different functions of plug



### ◆ Specifications

Part No.	Board to Board Joint Plug	DF59S-1P-FC
	Cable Plug	Under Development
	Receptacle	DF59S-1S-V
Rated Current	3 Amps	
Rated Voltage	350 V AC/DC (3.0 mm distance between PCB pads)	



Specifications herein are subject to change without notice. Contact Hirose for latest specifications, drawings or availabilities.