

## FEATURES AND SPECIFICATIONS

### Features and Benefits

- Optional ribs provide polarization
- Top-entry or right-angle versions available
- Housing pre-assembled with terminals
- Available in natural or black colors
- Single-beam Phosphor Bronze contacts available for low-force applications, contact Inside Sales

### Reference Information

Packaging: Bag  
 UL File No.: E29179  
 Mates With: Molex KK 3.96mm (.156") center headers or 1.14mm (.045") staked pins  
 Designed In: Inches

### Electrical

Voltage: 250V  
 Current: 5.0A  
 Contact Resistance: 20mΩ max.  
 Dielectric Withstanding Voltage: 1500V AC  
 Insulation Resistance: 50,000 MΩ min.

### Mechanical

Contact Retention to Housing: 8 lb min.

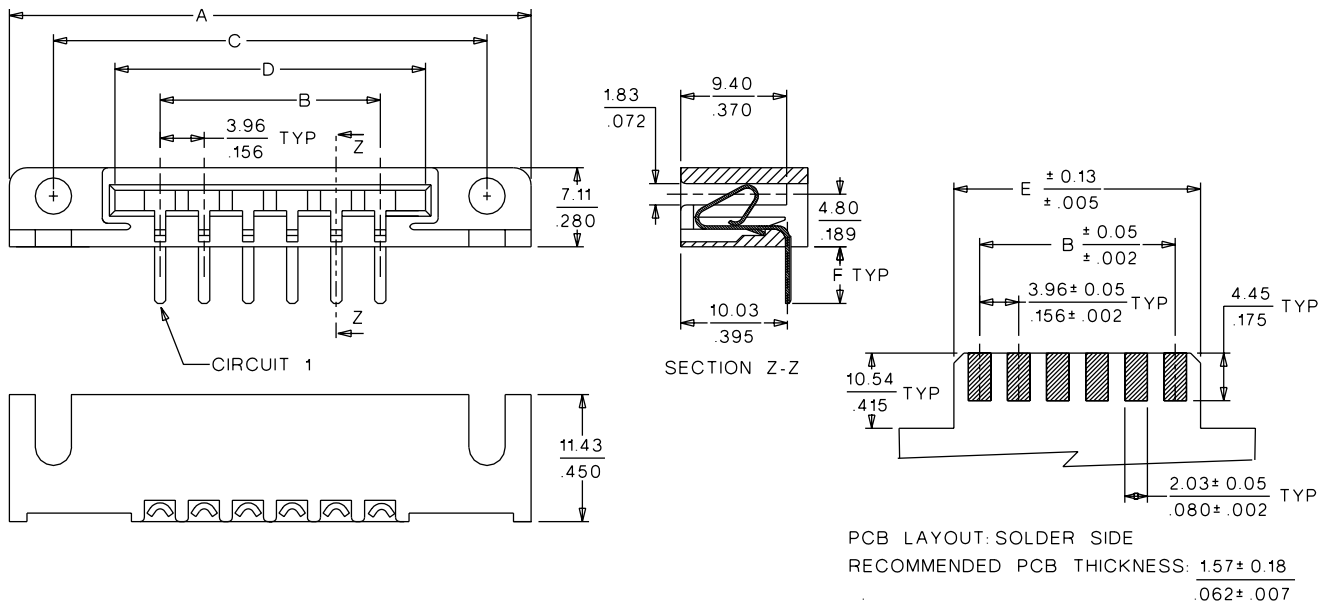
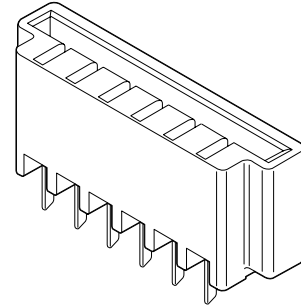
### Physical

Housing: Nylon, UL 94V-2  
 Contact: Brass  
 Plating: Tin or Gold  
 Temperature: 0 to +75°C  
 Recommended PCB Thickness: 1.57mm (.062")

# molex® 3.96mm (.156") Pitch KK® Single-Sided Edge Connector

## 2184

## PC Tail Edge Connector



## ORDERING INFORMATION

Circuits	Order No.				Dimension				Center Rib Location
	Vertical		Right Angle		A	B	C	D	
	Tin	Gold	Tin	Gold					
6	09-03-1062	09-04-1062	09-03-1061	09-04-1061	46.94 (1.848)	19.81 (.780)	39.01 (1.536)	27.94 (1.100)	
9	09-03-1092	09-04-1092	09-03-1091	09-04-1091	58.83 (2.316)	31.70 (1.248)	50.90 (2.004)	39.83 (1.568)	Between circuits 5 and 6
10	09-03-1102	09-04-1102	09-03-1101	09-04-1101	62.79 (2.472)	35.66 (1.404)	54.86 (2.160)	43.79 (1.724)	(2) Between circuits 4 and 5 / 7 and 8

Note: For additional information and PC board layout see sales drawing