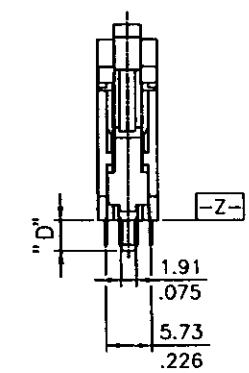
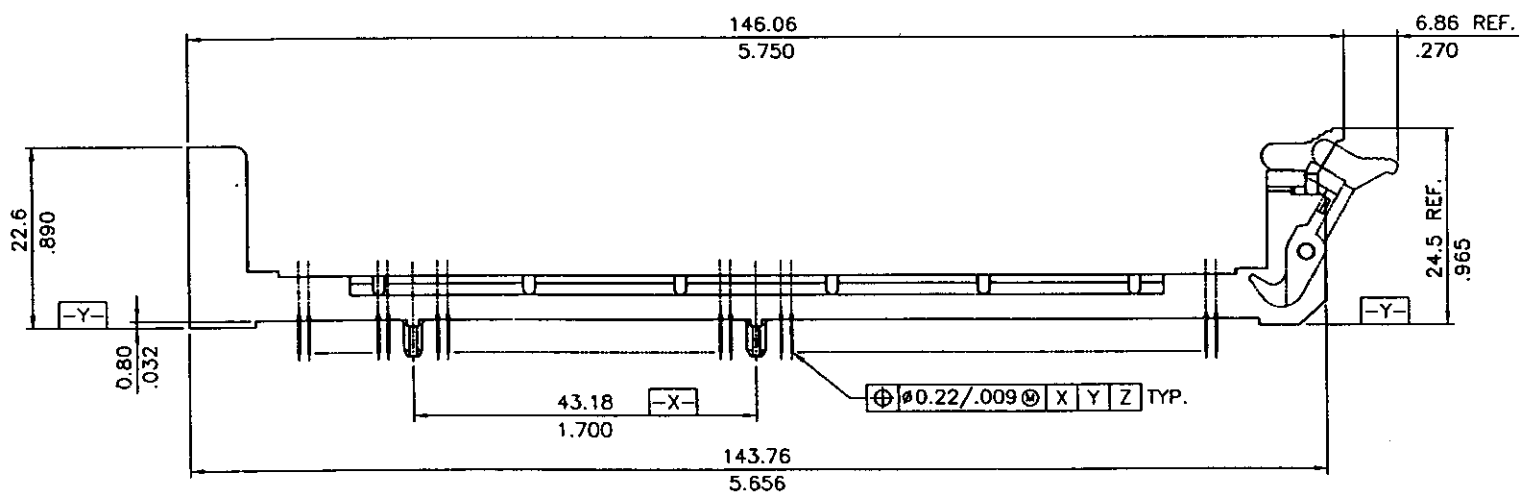
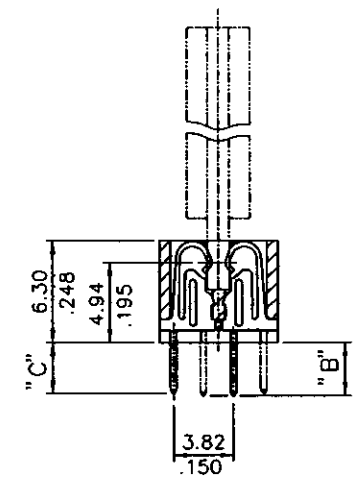
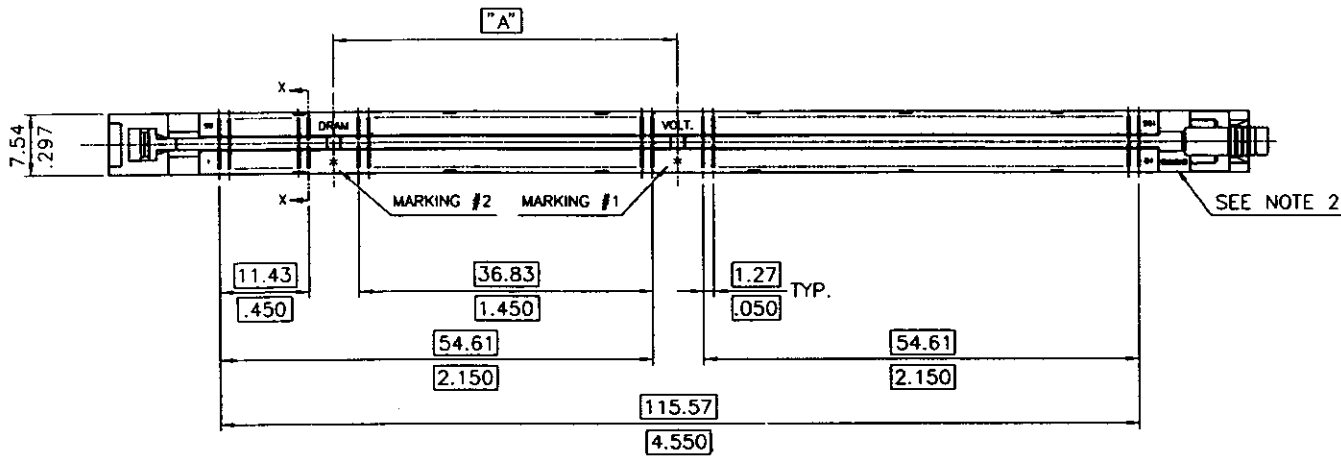


Tous droits strictement réservés. Reproduction ou communication à des tiers sans autorisation écrite du propriétaire.
 Property of BERG ELECTRONICS. All rights reserved. No reproduction or communication to other parties without written authority from the proprietor.
 Copyright BERG ELECTRONICS by



All rights strictly reserved. Reproduction or communication to other parties in any form without written authority from the proprietor.
 Property of BERG ELECTRONICS. All rights reserved. No reproduction or communication to other parties without written authority from the proprietor.
 Copyright BERG ELECTRONICS by



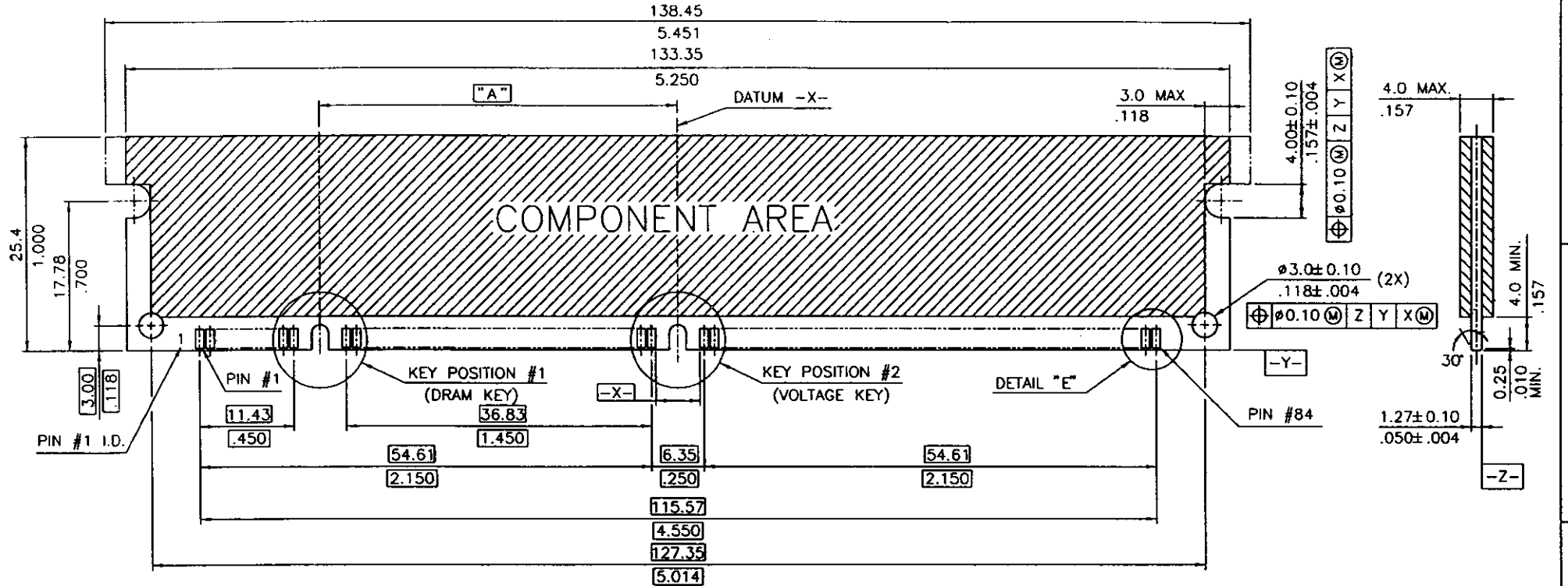
- NOTE:
- MATERIAL: HOUSING: LIQUID CRYSTAL POLYMER OR OTHER HIGH PERFORMANCE RESINS, GLASS FILLED UL94V-0 RATED, COLOR BLACK. EJECTOR: LIQUID CRYSTAL POLYMER OR OTHER HIGH PERFORMANCE RESINS, GLASS FILLED UL94V-0 RATED, COLOR NATURAL. TERMINAL: PHOSPHOR BRONZE.
 - BERG LOGO TO BE APPROXIMATELY LOCATED AS SHOWN ON PRINT.
 - PRODUCT SPECIFICATION: GES-12-066.

mat'l code		tolerance unless otherwise specified		CUSTOMER COPY	BERG ELECTRONICS				
rev.	ecn no.	dr	date	linear	.0 ± .038 / .013	projection			
A	T50372	R J	12/12/95		.00 ± .025 / .010				
B	T60206	R J	05/23/96		.000 ± .013 / .005	title			
C	T60263	A H	07/02/96	angles	± Z		DIMM, .050" 1-ROW, 168P V/T ASS'Y		
D	T60372	A H	09/10/96	dr	CATHY LIN	03/27/95	unit	product family	code
E	T60477	A H	12/06/96	enrg	CATHY LIN	03/27/95	mm/inch	size	TWN
F	T70070	A H	02/20/97	chr	WAYNE YU	03/27/95	scale	1.5 : 1	sheet
				appd	JENN TSAO	03/27/95	91155		1 OF 4
sheet	revision	F	F	E	F				
index	sheet	1	2	3	4				

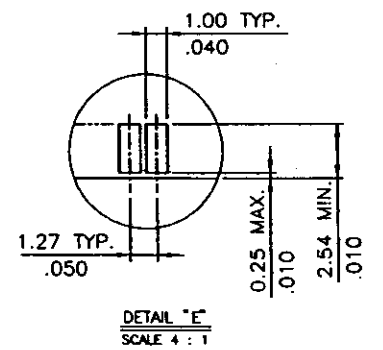
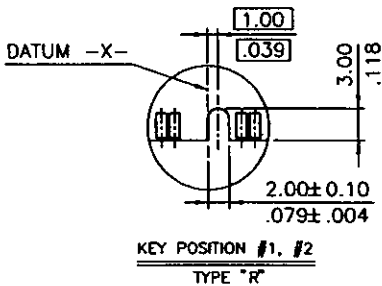
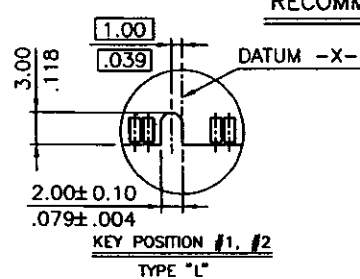
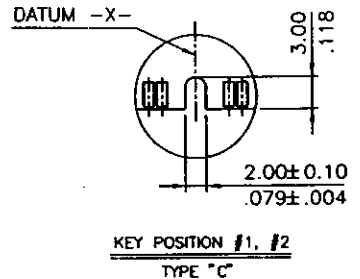
Tous droits strictement réservés. Reproduction ou communication, à des tiers int
 sous quelque forme que ce soit sans autorisation écrite du propriétaire.
 Property of BERG ELECTRONICS.
 Berit de reproduction BERG ELECTRONICS by

BERG
 ELECTRONICS

All rights strictly reserved. Reproduction or communication to any third party in any form without written authority from the proprietor.
 Property of BERG ELECTRONICS.
 Copyright BERG ELECTRONICS by



RECOMMENDED MODULE LAYOUT



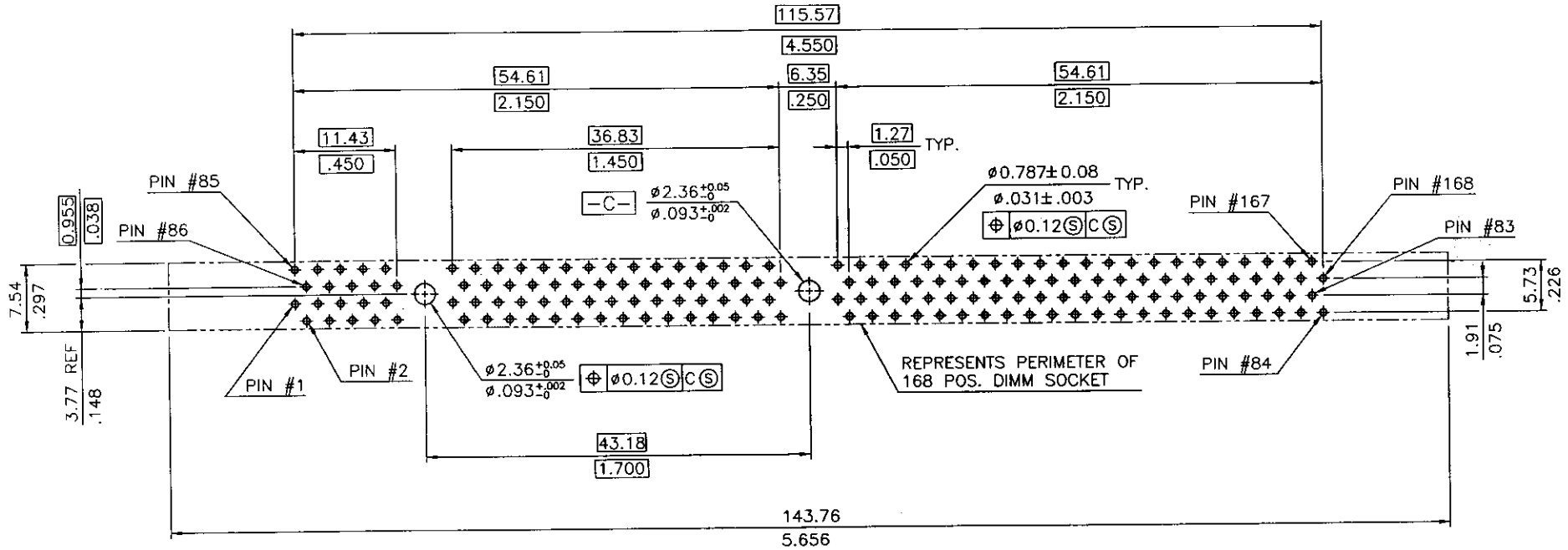
TYPE "R"	TYPE "C"	42.18 1.661	FOR UNBUFFERED DRAM, SYNC DRAM, REGISTERED SDRAM, 3.3 VOLT.
TYPE "L"	TYPE "C"	44.18 1.739	FOR OPEN, 3.3 VOLT.
TYPE "C"	TYPE "C"	43.18 1.700	FOR STANDARD DRAM, BUFFERED, 3.3 VOLT.
TYPE "R"	TYPE "L"	41.18 1.621	FOR NON-STANDARD DRAM, 5.0 VOLT.
TYPE "L"	TYPE "L"	43.18 1.700	FOR SYNC DRAM, 5.0 VOLT.
TYPE "C"	TYPE "L"	42.18 1.661	FOR STANDARD DRAM, 5.0 VOLT.
KEY POS. #1	KEY POS. #2	DIM."A"	DESCRIPTION

mat'l code		tolerance unless otherwise specified		CUSTOMER COPY		BERG ELECTRONICS		
rev.	ecn no.	dr	date	linear	.0 ±0.30/.012	projection	title DIMM .050" 1-ROW, 168P V/T ASSY	
F					.00 ±0.20/.008	⊕		
				angles	± 2°	unit	product family	
				dr	CATHY LIN D3/27/93	mm/inch		code
				enqr	CATHY LIN D3/27/93	scale	size	TWN
				chr	WAYNE YU D3/27/93	2 : 1	dwg no.	sheet
				oppd	JENN TSAO D3/27/93		91155	2 OF 4
sheet	revision							
index	sheet							

Tous droits strictement réservés. Reproduction ou communication à des tiers sans aucune autorisation écrite du propriétaire.
 BERG ELECTRONICS
 Datas de reproduction BERG ELECTRONICS by



All rights strictly reserved. Reproduction or issue to third parties in any form whatsoever is not permitted without written authority from the proprietor.
 BERG ELECTRONICS
 Copyright BERG ELECTRONICS by



RECOMMENDED CIRCUIT BOARD HOLE LAYOUT

mat'l code		tolerance unless otherwise specified		CUSTOMER COPY		BERG ELECTRONICS	
rev.	ecn no.	dr	date	linear	.0 ± 0.30/.012	projection	title DIMM .050" 1-ROW, 168P V/T ASS'Y
E					.00 ± 0.20/.008		
				angles	.000 ± 0.10/.004		product family
				dr	CATHY LIN 03/27/98	unit	code
				enr	CATHY LIN 03/27/98	mm/inch	TWN
				chr	WAYNE YU 03/27/98	scale	size
				appd	JENN TSAO 03/27/98	2 : 1	dwg no.
							91155
sheet	revision						sheet
index	sheet						3 OF 4

Tous droits strictement réservés. Reproduction ou communication à des tiers sans autorisation écrite du propriétaire.
 Berg Electronics
 Droits de reproduction BERG ELECTRONICS by

All rights strictly reserved. Reproduction or issue to third parties in any form without written authority from the proprietor.
 Berg Electronics
 Copyright BERG ELECTRONICS by

91155 - □ □ □ □ □

STYLE

1 : FOR STANDARD DRAM, 5.0 VOLT.
 2 : FOR SYNC DRAM, 5.0 VOLT.
 3 : FOR NON-STANDARD DRAM, 5.0 VOLT.
 4 : FOR STANDARD DRAM, BUFFERED, 3.3 VOLT.
 5 : FOR OPEN, 3.3 VOLT.
 6 : FOR UNBUFFERED DRAM, SYNC DRAM, REGISTERED SDRAM, 3.3 VOLT.

PEG TYPE

0 : #2.36/.093 RETENTION PEG + DIM."D"=3.04/.120.
 1 : #2.36/.093 RETENTION PEG + DIM."D"=3.80/.150.

TAIL LENGTH

CODE	DIM. "B"	DIM. "C"
0	2.54 .100	2.39 .094
1	3.30 .130	3.15 .124

PLATING

CODE	CONTACT	SOLDERTAIL	UNDERPLATE
1	150μ" (3.81μm) MIN. TIN/LEAD		
2	15μ" (0.38μm) MIN. GOLD		
3	30μ" (0.76μm) MIN. GOLD		
4	3μ" (0.076μm) MIN. GOLD	100μ" (2.54μm) MIN. TIN/LEAD	50μ" (1.27μm) MIN. NICKEL OVERALL
5	15μ" (0.38μm) MIN. GXT		
6	30μ" (0.76μm) MIN. GXT		
7	60μ" (1.52μm) MIN. GXT		

COLOR OF HOUSING AND EJECTOR

- 0 : BLACK HOUSING + IVORY EJECTOR
- 1 : IVORY HOUSING + BLACK EJECTOR
- 2 : IVORY HOUSING + IVORY EJECTOR

PROD. NO.	DIM. "A"	DIM. "B"	DIM. "C"	DIM. "D"	HOUSING COLOR	EJECTOR COLOR	STYLE	STYLE MARKING #2	STYLE MARKING #1
91155-6112* 91155-6111* 91155-6110*	42.18 1.661	3.30 .130	3.15 .124	3.80 .150	IVORY IVORY BLACK IVORY	IVORY BLACK IVORY BLACK	FOR UNBUFFERED DRAM, SYNC DRAM, REGISTERED SDRAM, 3.3 VOLT.	NONE	3.3
91155-6002* 91155-6001* 91155-6000*	44.18 1.739	2.54 .100	2.39 .094	3.04 .120	IVORY IVORY BLACK IVORY	IVORY BLACK IVORY BLACK	FOR OPEN, 3.3 VOLT.	NO MARKING	3.3
91155-4111* 91155-4110*	43.18 1.700	3.30 .130	3.15 .124	3.80 .150	IVORY BLACK IVORY BLACK	IVORY BLACK IVORY BLACK	FOR STANDARD DRAM, BUFFERED, 3.3 VOLT.	STD	3.3
91155-5001* 91155-5000*	41.18 1.621	3.30 .130	3.15 .124	3.80 .150	IVORY BLACK IVORY BLACK	IVORY BLACK IVORY BLACK	FOR NON-STANDARD DRAM, 5 VOLT.	NONE	5.0
91155-2111* 91155-2110*	43.18 1.700	3.30 .130	3.15 .124	3.80 .150	IVORY BLACK IVORY BLACK	IVORY BLACK IVORY BLACK	FOR SYNC DRAM, 5 VOLT.	SYNC	5.0
91155-2001* 91155-2000*	42.18 1.661	2.54 .100	2.39 .094	3.04 .120	IVORY BLACK IVORY BLACK	IVORY BLACK IVORY BLACK	FOR STANDARD DRAM, 5 VOLT.	STD	5.0

mat'l code				tolerance unless otherwise specified		CUSTOMER COPY		BERG ELECTRONICS	
rev.	ecn no	dr	date	linear	.0 ± 0.38/015	projection	title	DIMM .050" 1-ROW, 168P V/T ASS'Y	
F				angles	.00 ± 0.25/010	⊕	product family	code	
				dr	.000 ± 0.13/005	unit	size	TWN	
				enqr		mm/inch	dwg no.	sheet	
				chr		scale	91155	4 OF 4	
				appd		1 : 1	A3		