

RoHS COMPATIBLE PRODUCT NUMBER
54242-XXXXXXXXLFL

STANDARD PRODUCT NUMBER
54242-XXX-XX-XXXX

PLATING

1 = 0.76µm GOLD/GXT ON CONTACT AREA
2µm MIN MATTE TIN ON TAIL
OVER 1.27µm Ni MIN

8 = 0.38µm GOLD/GXT ON CONTACT AREA
2µm MIN MATTE TIN ON TAIL
OVER 1.27µm Ni MIN

4 = 2µm MIN MATTE TIN
OVER 1.27µm Ni MIN

INDICATES THE PRODUCT IS RoHS COMPATIBLE
SEE NOTE 8

STACK HEIGHT
NOTE 6

TOTAL NB OF POSITIONS
04 TO 50

PLATING

1 = 0.76µm GOLD/GXT ON CONTACT AREA
3.81µm TIN/LEAD ON TAIL
OVER 1.27µm Ni MIN

8 = 0.38µm GOLD/GXT ON CONTACT AREA
3.81µm TIN/LEAD ON TAIL
OVER 1.27µm Ni MIN

4 = TIN LEAD
OVER 1.27µm Ni MIN

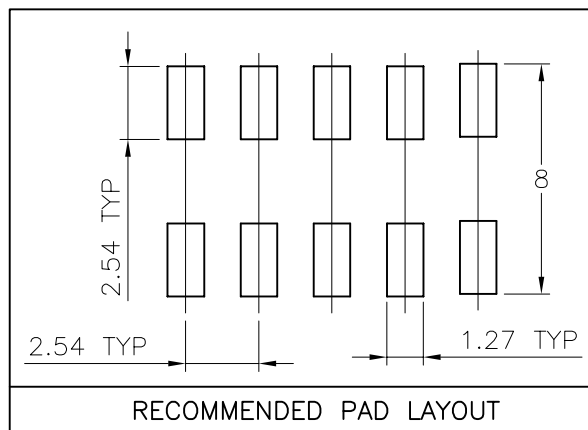
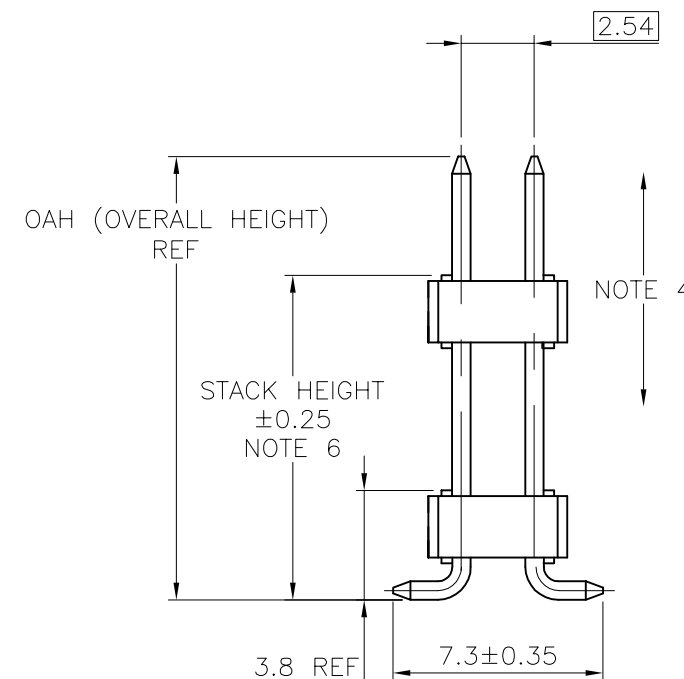
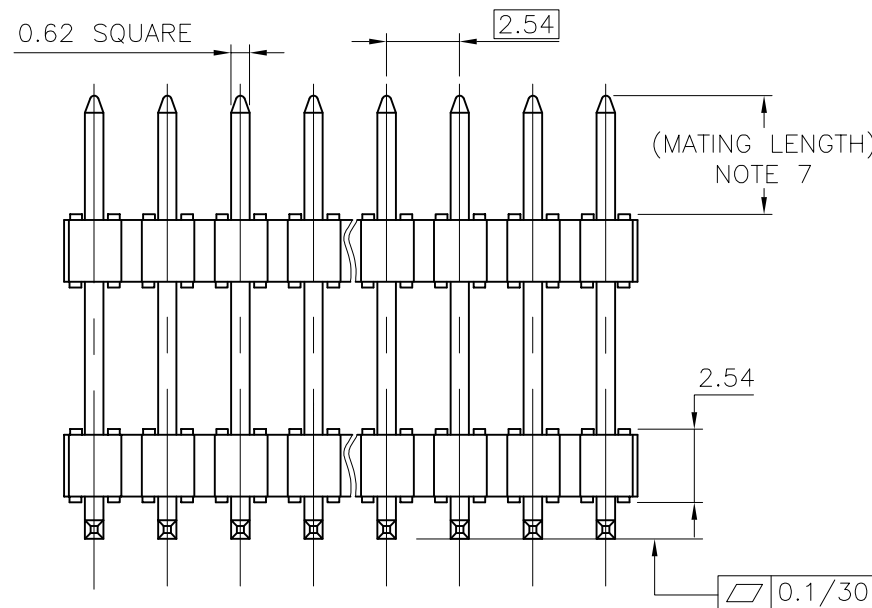
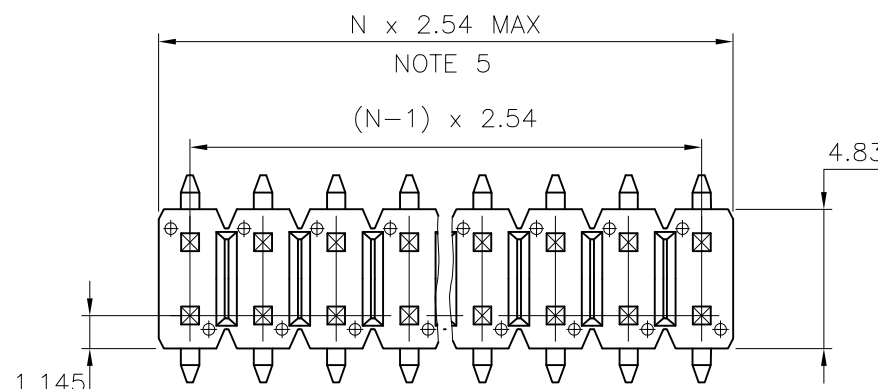
STACK HEIGHT
NOTE 6

TOTAL NB OF POSITIONS
04 TO 50

PIN STYLE	OAH
01	10.42
02	11.72
03	14.12
04	14.98
05	15.87
06	17.13
07	19.18
08	21.72
09	24.26
10	26.8
11	29.34
12	31.88

NOTES:

- HOUSING MAT'L : HIGH TEMPERATURE THERMOPLASTIC. UL94V-0 COLOR: BLACK
- PIN MATERIAL : PHOSPHOR BRONZE
- PRODUCT PACKAGED IN PLASTIC BOX
- 9N MIN RETENTION IN EITHER DIRECTION
- TO DETERMINE DIMENSIONS :
N = NUMBER OF POSITIONS PER ROW
EXAMPLE : 8 POS PER ROW, N x 2.54 = 20.32mm
- XXXX = MILLIMETERS
SPECIFY MILLIMETERS
9.5mm MIN TO 26.0mm MAX AVAILABLE
IN 0.5mm INCREMENT
EXAMPLE FOR STACK HEIGHT: 1 2 5 0 = 12.5mm
- MATING LENGTH = (OAH)-(STACK HEIGHT)
- RoHS COMPATIBLE PRODUCT SPECIFICATIONS
 - PLATING:
 - "LF" MEANS THE PRODUCT IS LEAD-FREE, 2µm MINIMUM MATTE TIN OVER 1.27µm MINIMUM NICKEL UNDERPLATE.
 - MANUFACTURING PROCESS COMPATIBILITY
 - LABELLING:
 - MEETS PACKAGING SPECS AS PER GS-14-920
 - THIS PRODUCT MEETS EUROPEAN UNION DIRECTIVES AND OTHER COUNTRY REGULATIONS AS DESCRIBED IN GS-22-008



mat'l. code SEE NOTES		surface ISO 1302	tolerance ISO 406 ISO 1101	projection	product family BERGSTIK
ltr	ecn no	dr	date	tolerances unless otherwise specified	title
A	F10119	DLE	01.01.24	angles	UNSHR.HEADER STR DR SMT
B	F10305	JCO	01.05.03	linear	
C	F04-0328	LMU	04.08.31	x.xx ±0.3	dwg no
D	F04-0385	LMU	04.12.16	x.xx ±0.13	sheet 1 of 1
E	F06-0168	LMU	06.04.21	x.xxx ±0.05	size
F	F06-0196	LMU	06.06.13	scale 4:1	54242
G	F08-0148	RTR	08.03.31	FCJ	A3
sheet index		revision sheet			type
					CUSTOMER Drawing