

Fig. 1

- Receptacles accept .030" diameter and .025" square pins such as Series 890 and 892 pin headers.
- Pin interconnects available with straight (MM# 7007) or right angle (MM# 5005) solder tails. (See page 173 for details)
- Sockets are available with straight (MM# 1304) or right angle (MM# 1305) solder tails. (See pages 146 & 147 for details)

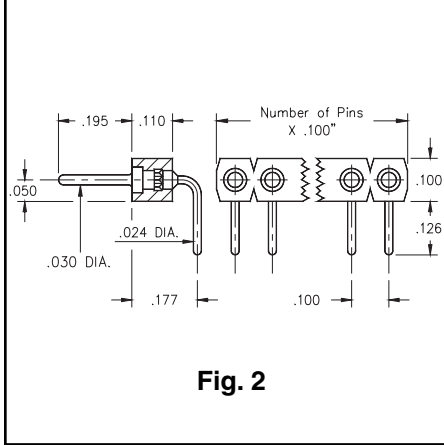
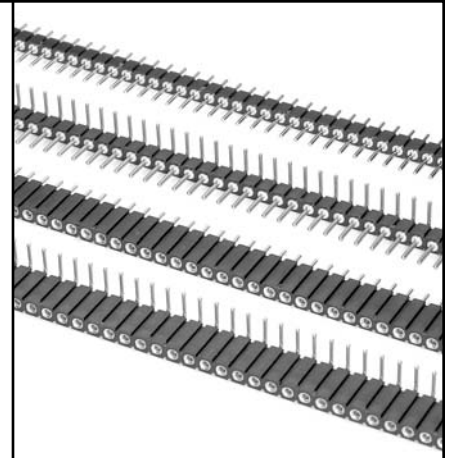


Fig. 2

Ordering Information			
Fig. 1	Series 800...10-001	Straight Pin Header	
	800-XX-0__-10-001	Specify # of pins	└──> 01-64
Fig. 2	Series 800...20-001	Right Angle Pin Header	
	800-XX-0__-20-001	Specify # of pins	└──> 01-64

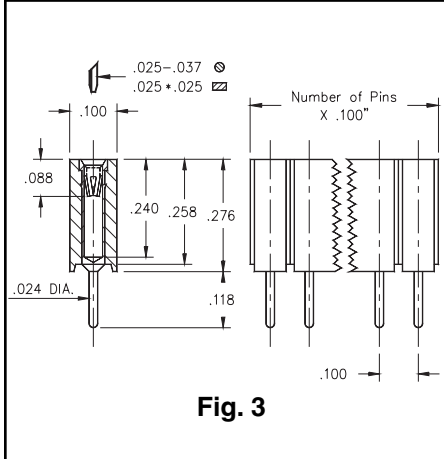


Fig. 3

<div style="border: 2px solid black; border-radius: 50%; padding: 10px; display: inline-block;"> XX= Plating Code See Below </div>			
SPECIFY PLATING CODE XX=	10	90	
Pin Plating			

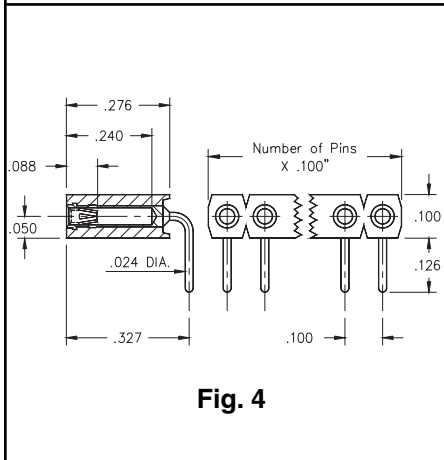


Fig. 4

Fig. 3	Series 801...10-001	Straight Socket	
	801-XX-0__-10-001	Specify # of pins	└──> 01-50
Fig. 4	Series 801...20-001	Right Angle Socket	
	801-XX-0__-20-001	Specify # of pins	└──> 01-50

<div style="border: 2px solid black; border-radius: 50%; padding: 10px; display: inline-block;"> XX= Plating Code See Below </div>			
SPECIFY PLATING CODE XX=		93	99
Sleeve (Pin)		200µ" Sn/Pb	200µ" Sn/Pb
Contact (Clip)		30µ" Au	200µ" Sn/Pb