

SPECIFICATIONS

Mechanical

Contact Retention Force: 0.75Lbs (0.34kgf) min. per Contact
Durability: 25 Cycles
Dram Board Insertion Force: 3 oz max. per Contact

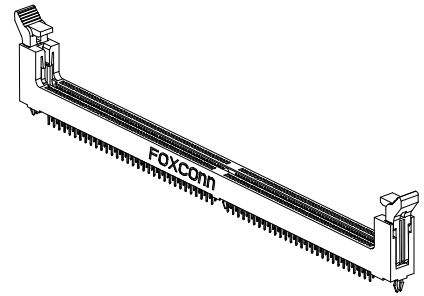
Electrical

Voltage Rating: 250V AC
Current Rating: 0.5A max., 30°C max., in Temperature Rise
Insulation Resistance: 1000MΩ min. initial
Dielectric Withstanding Voltage: 500VDC at Sea Level
Low Level Contact Resistance: 30mΩ max. initial

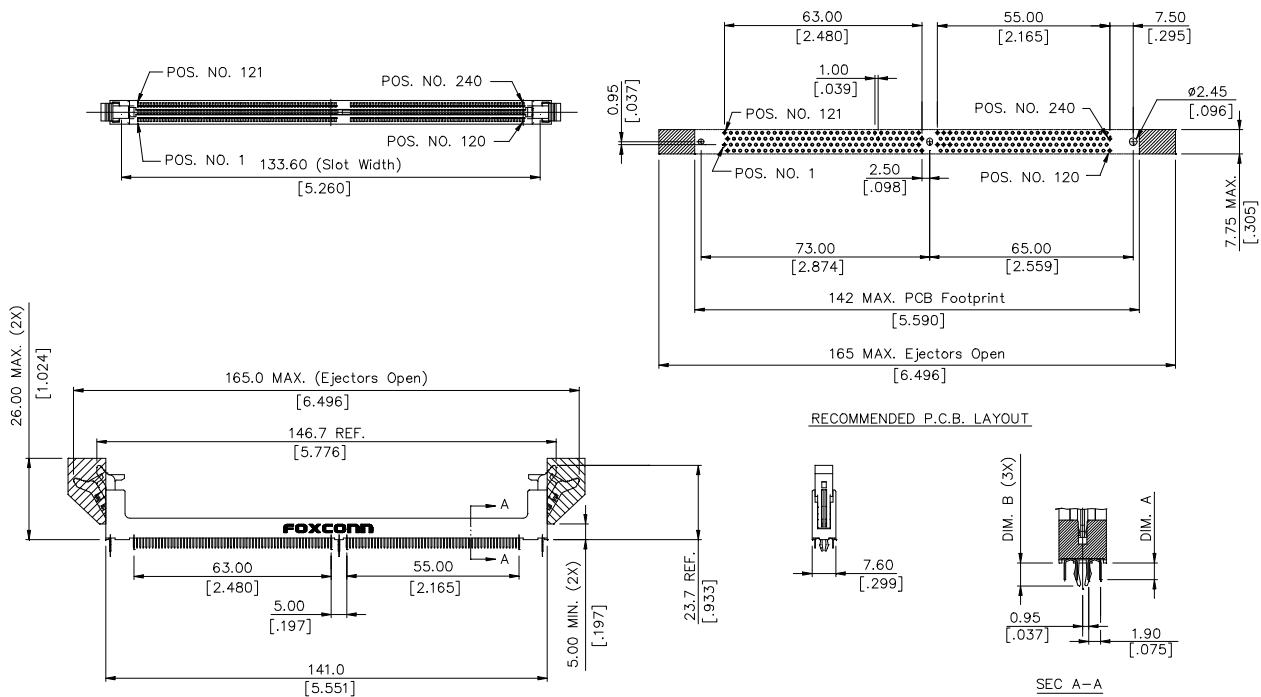
Physical

Housing: Thermoplastic, UL 94V-0 rated in Blue Color
Contact: Copper alloy
Ejector: Thermoplastic, UL 94V-0 rated in Ivory or Natural Color
Metal Hold Down: Metal alloy
Operating Temperature: -55°C to +105°C

AT240 Series
Vertical Type, T/H Type
1.00mm [.039"] Pitch
240 Pos.



DRAWING



ORDERING INFORMATION

PRODUCT NO.: A T 2 4 0 * * - H8L - * *

Memory Socket
Vertical

DDR II DIMM
1.00mm Pitch

No. of Pos.
40=240 Pos.

Tail Length
0=3.18 [.125]
1=2.67 [.105]

PLATING TYPE
4F=LEAD FREE

Extension Code

Contact Area Plating
1=Gold Flash
3=30u" Gold
7=15u" Gold

AT2400*-H8L-4F	240	1.8V	3.18	4.57
			[.125]	[.180]
AT2401*-H8L-4F			2.67	3.78
			[.105]	[.149]
P/N	POS.	VOLTAGE MARKING	DIM. A	DIM. B