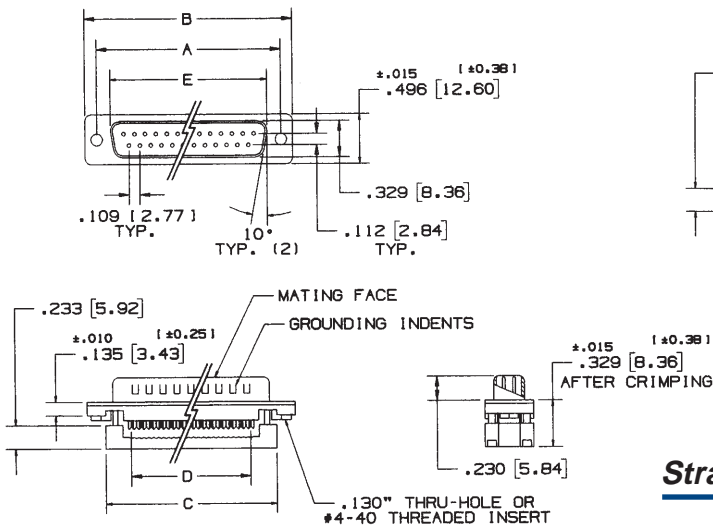
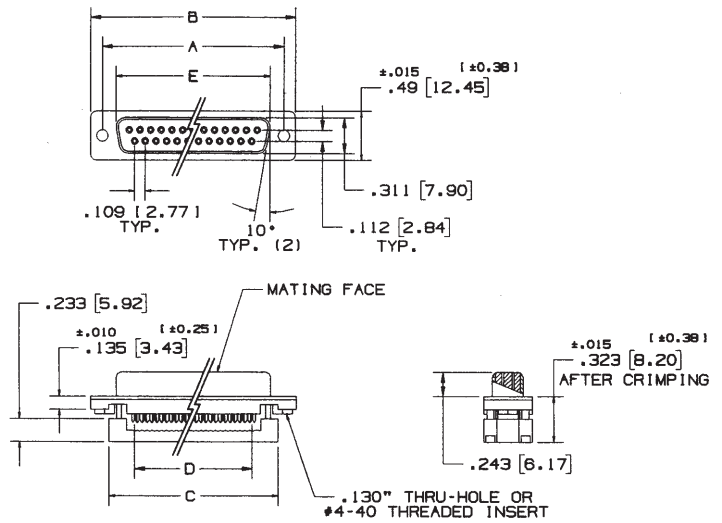


**D-Subminiature
IDC Metal Shell**

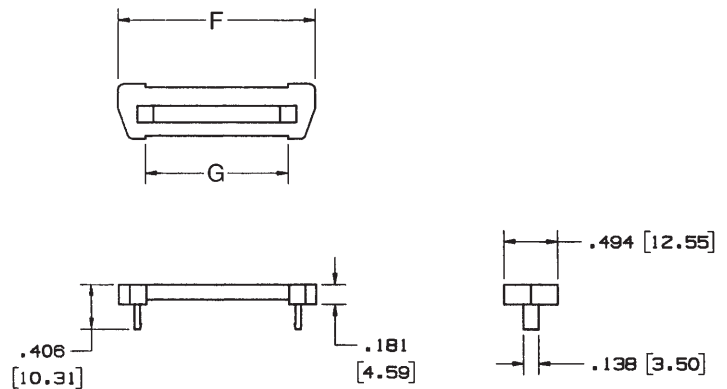
Plug



Socket



Strain Relief



Dimensions

Number of Ckts.	A	B	C	D	E	E	F	G
	±015 (.13)	±015 (.30)			Socket	Plug		
9	0.984 (24.99)	1.216 (30.8)	.885 (22.5)	.400 (10.16)	.643 (16.33)	.666 (16.9)	.888 (22.6)	.48 (12.2)
15	1.312 (33.32)	1.54 (39.1)	1.215 (30.9)	.700 (17.78)	.971 (24.66)	.994 (25.3)	1.215 (30.9)	.78 (19.8)
25	1.852 (47.04)	2.090 (53.09)	1.750 (44.4)	1.200 (30.48)	1.511 (38.38)	1.534 (39.0)	1.754 (44.5)	1.28 (32.6)
37	2.500 (63.50)	2.732 (69.4)	2.415 (61.3)	1.800 (45.72)	2.159 (54.84)	2.138 (55.4)	2.143 (61.3)	1.89 (47.9)

Ordering Information

No. of Ckts.	Socket		Plug		Strain* Relief	Jack* Screws (1 ea)
	Thru-Hole	4-40 Threaded	Thru-Hole	4-40 Threaded		
	15µ" (.38µm) Gold Plating					
9	IDM9SH5	IDM9ST5	IDM9PH5	IDM9PT5	DA009	—
15	IDM15SH5	IDM15ST5	IDM15PH5	IDM15PT5	DA015	DA001A
25	IDM25SH5	IDM25ST5	IDM25PH5	IDM25PT5	DA025	—
37	IDM37SH5	IDM37ST5	IDM37PH5	IDM37PT5	DA037	—

*Optional, order separately