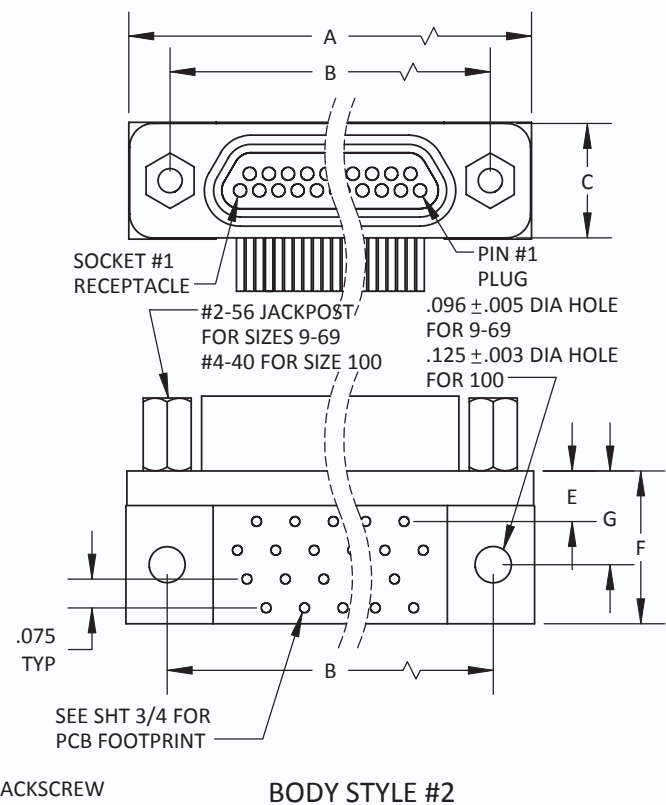
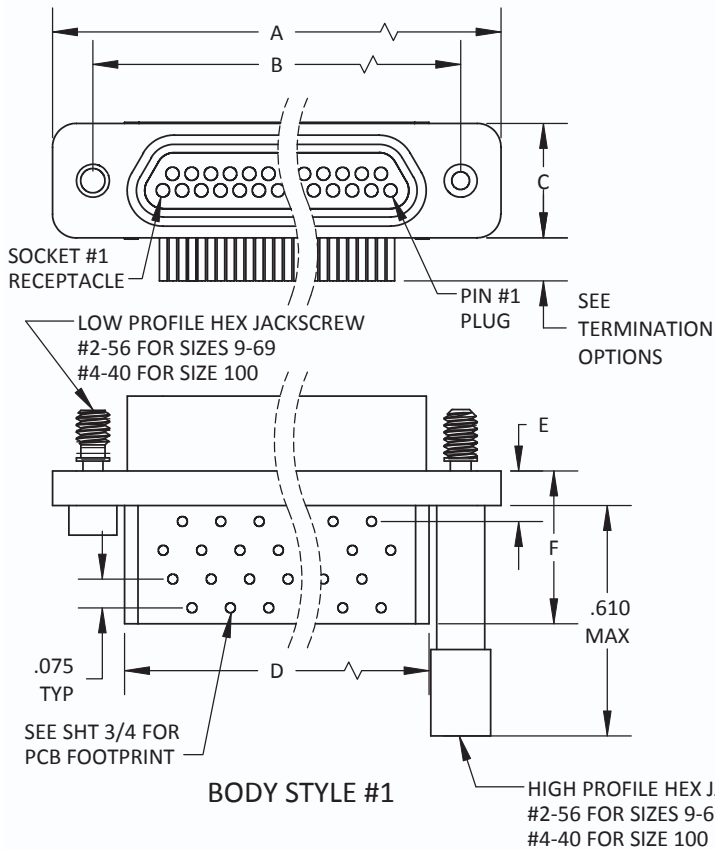
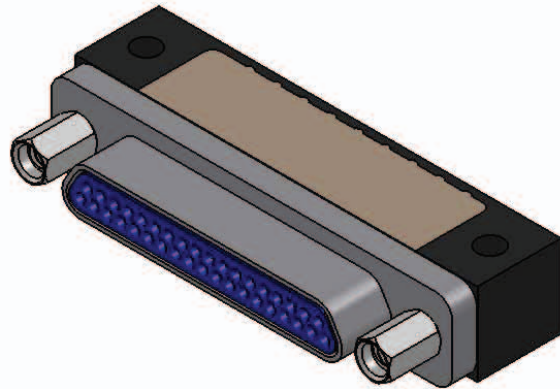
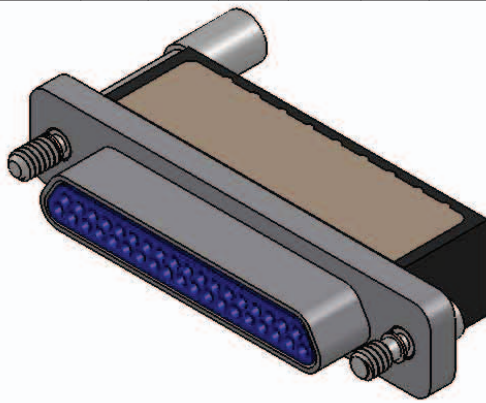
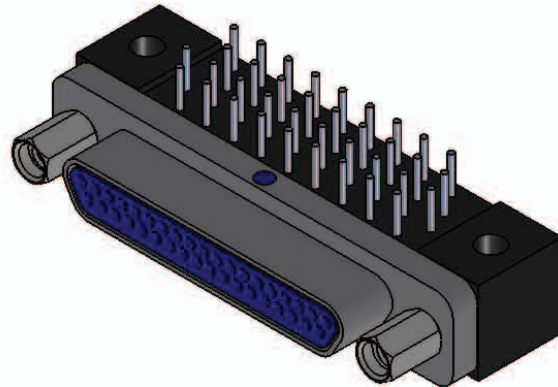
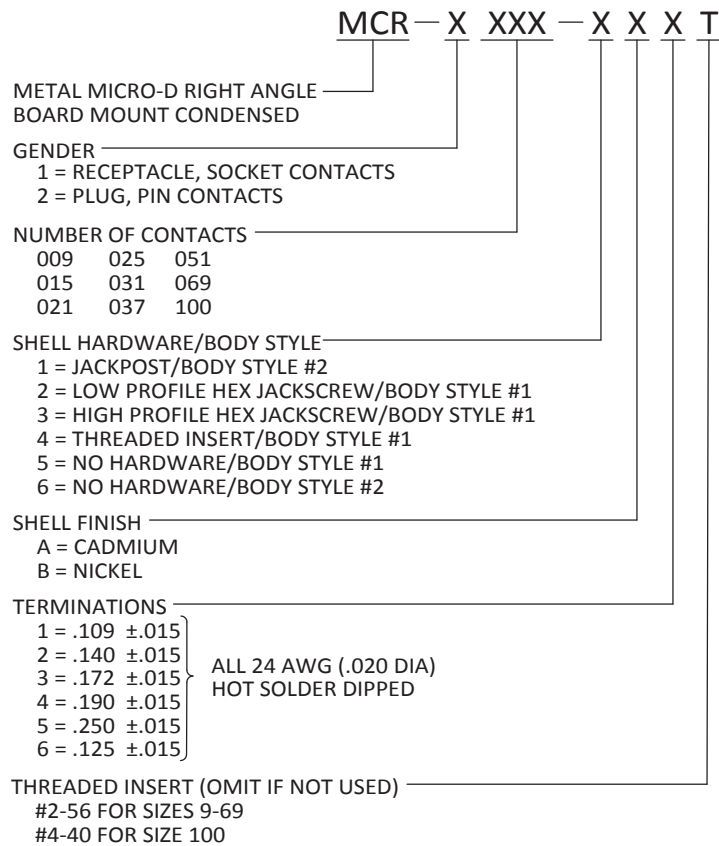


NO. OF CONTACTS	A MAX	B BSC	C MAX	D MAX	E MAX	F MAX	G MAX
9	.785	.565	.308	.400	.138	.410	.250
15	.935	.715	.308	.550	.138	.410	.250
21	1.085	.865	.308	.700	.138	.410	.250
25	1.185	.965	.308	.800	.138	.410	.250
31	1.335	1.115	.308	.950	.138	.410	.250
37	1.485	1.265	.308	1.100	.138	.410	.250
51	1.435	1.215	.351	1.045	.145	.500	.295
69	1.735	1.515	.351	1.350	.145	.500	.295
100	2.170	1.800	.394	1.550	.163	.615	.350





MATERIALS AND FINISHES ARE IAW MIL-DTL-83513
FOR DETAILS SEE MIL SPEC OR WWW.CRISTEK.COM

1. MATERIALS:

SHELL - ALUMINUM ALLOY
INSULATOR/BACKSHELL - GLASS FILLED THERMOPLASTIC
PIN/SOCKET CONTACT - COPPER ALLOY
INTERFACIAL SEAL - FLUOROSILICONE BLEND

2. FINISH:

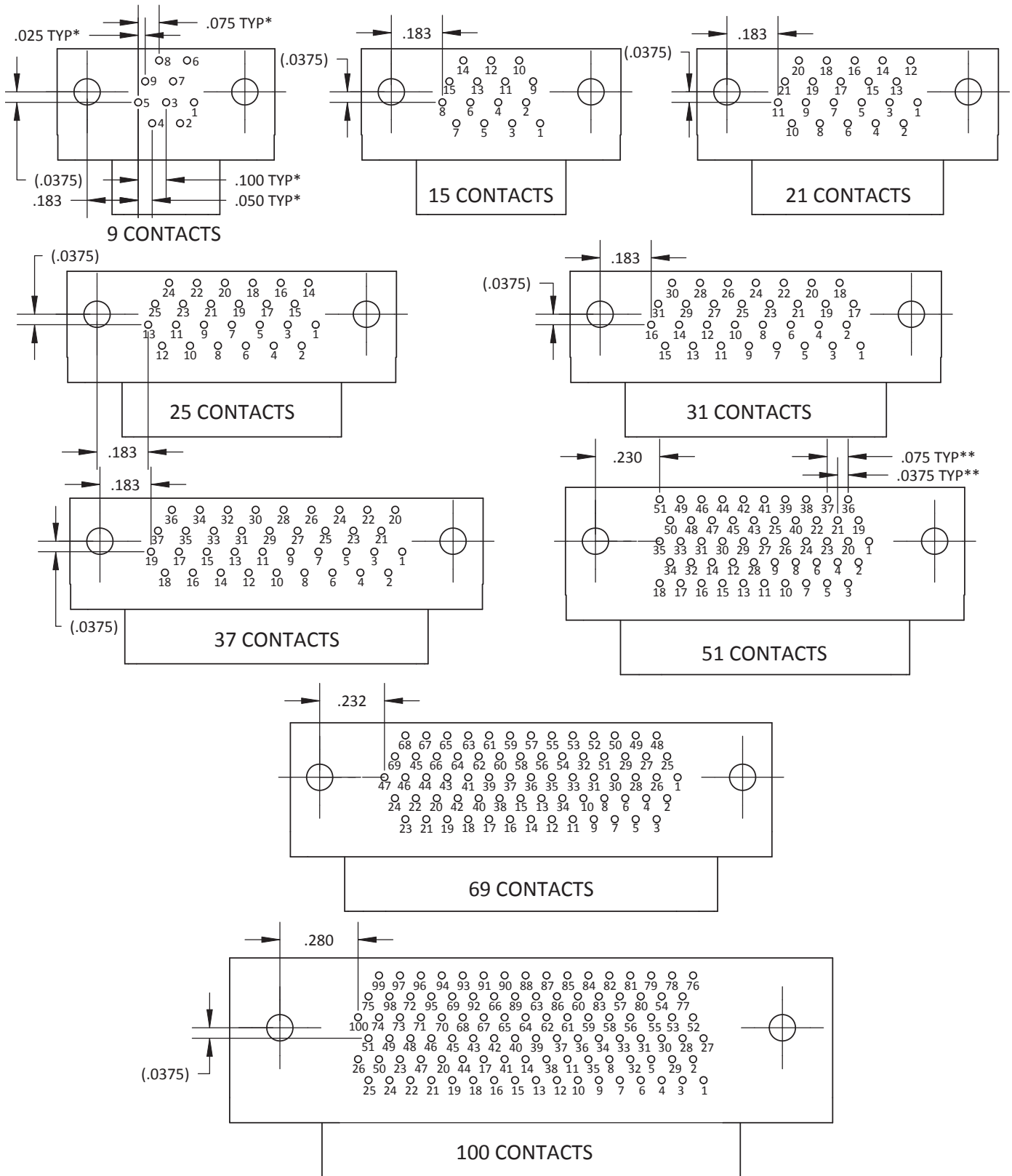
SHELL - ELECTROLESS NICKEL OR CADMIUM
OVER ELECTROLESS NICKEL
PIN/SOCKET CONTACT - GOLD OVER NICKEL

3. SPECIFICATIONS:

CURRENT RATING ----- 3 AMPS MAX
TEMPERATURE RATING ----- -55° C TO +125° C
INSULATION RESISTANCE ----- 5000 MEGOHMS MIN
DWV AT SEA LEVEL ----- 600 VAC
DWV AT 70,000 FT ALTITUDE --- 150 VAC
CONTACT RESISTANCE ----- 24 AWG = 25 MILLIOHMS MAX
CONTACT RETENTION ----- 5 lb MINIMUM AXIAL LOAD
ENGAGEMENT FORCE ----- 6 oz MAX
SEPARATION FORCE ----- 0.5 oz MIN

4. ADDITIONAL INFORMATION:

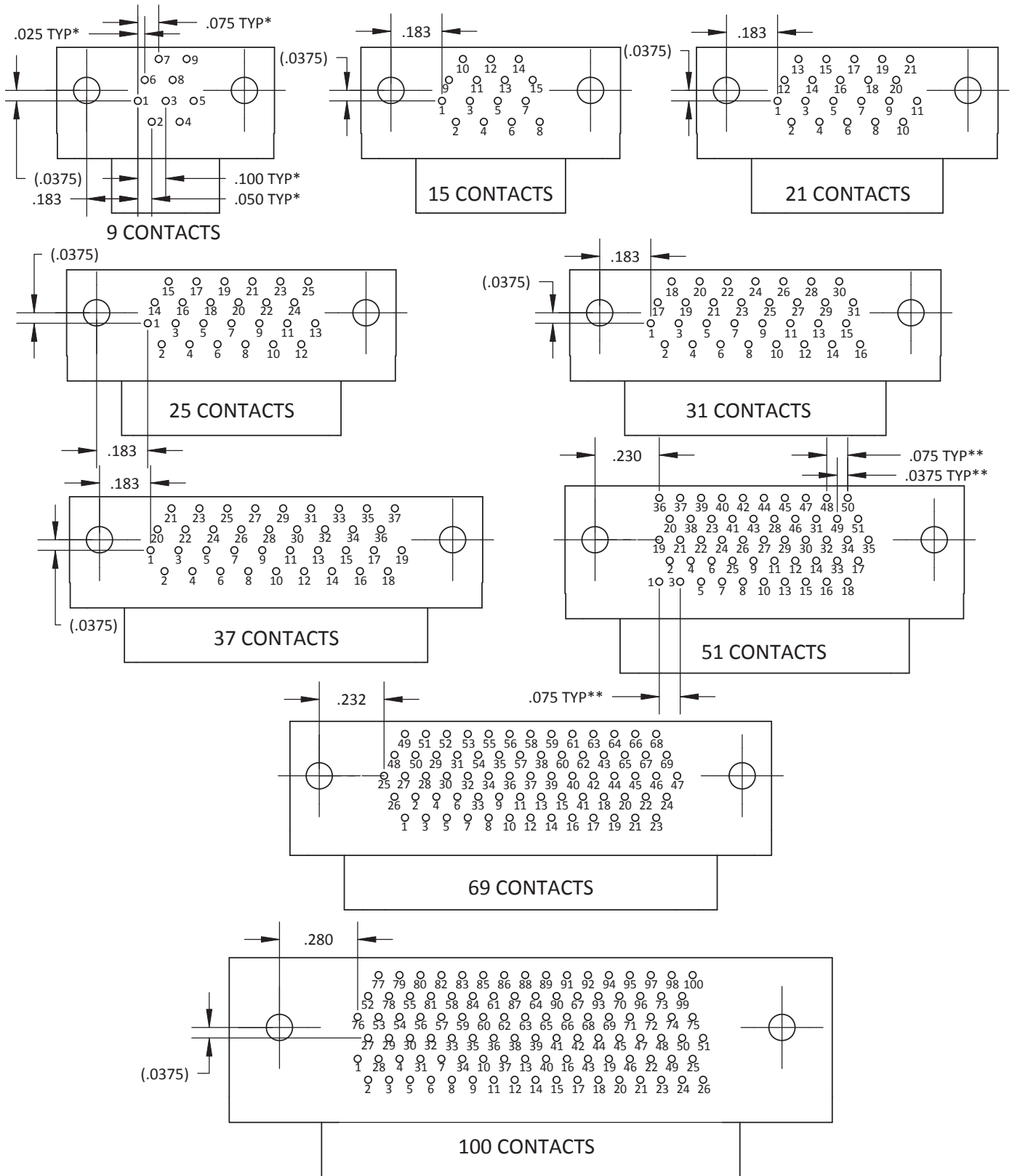
DESIGN AND PERFORMANCE IN GENERAL
ACCORDANCE WITH M83513 WHERE APPLICABLE.
CONTACT CRISTEK FOR OTHER CONFIGURATIONS.



MCR PLUG PCB LAYOUTS

* SIZES 9-37: .100 X .075 GRID PATTERN OFFSET BY .050

** SIZES 51-100: .075 X .075 GRID PATTERN OFFSET BY .0375



MCR RECEPTACLE PCB LAYOUTS

* SIZES 9-37: .100 X .075 GRID PATTERN OFFSET BY .050

** SIZES 51-100: .075 X .075 GRID PATTERN OFFSET BY .0375